

Description

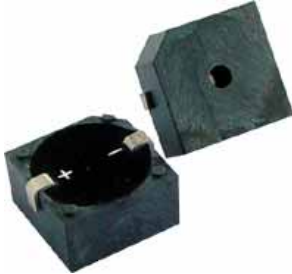
CSPB15A05-4.0F:

Chinasound SMD Piezo Buzzer 14.3(<15mm) length, type A(=14.3mm width,8.0mm height) , 5VDC rated voltage – 4.0KHz resonant frequency – lead Free reflowing solderable and RoHS compliant

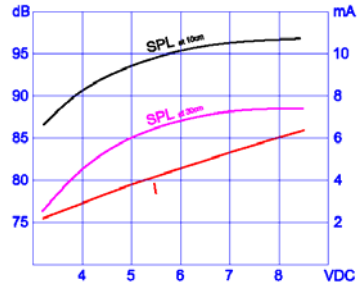
◆ **RoHS compliant**

- ◆ Reliable Solid State Piezoelectric Technology
- ◆ Corrosion Resistance Diaphragm
- ◆ Flame Retardant Plastic UL 94-V0

Picture



Characteristics



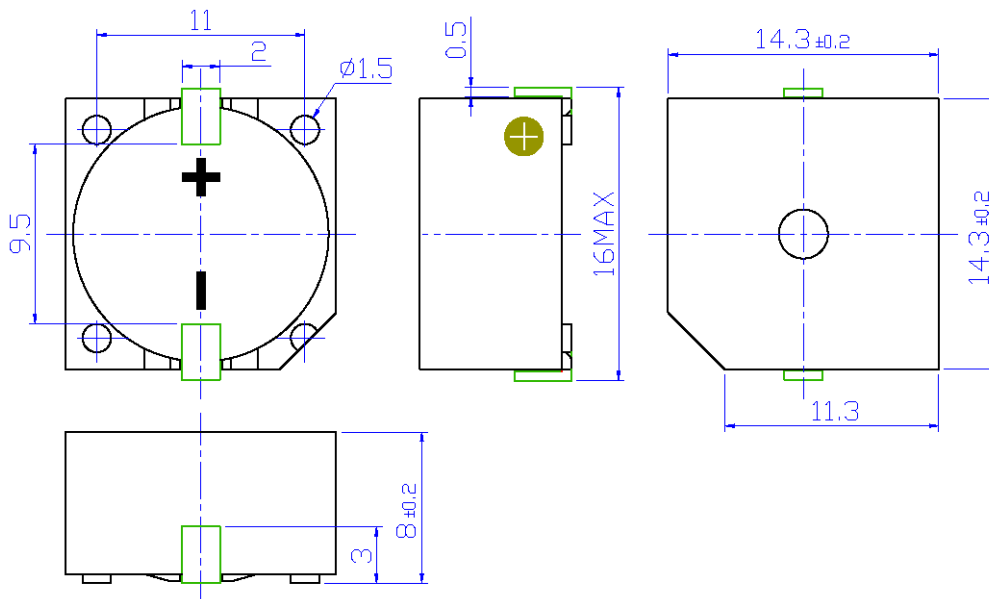
Specification

Rated Voltage	5 VDC
Operating Voltage	3-16VDC
Operating Frequency	4000+/-500Hz
Typical Sound Output	85dB min. at 5VDC 10cm 25 °C
Typ. Operating Current	8mA max. at 5VDC
Operating Temperature	-40 °C to +85 °C
Storage Temperature	-40 °C to +90 °C
Termination	2 soldering pads, Sn plated Brass
Construction Materials	Case: Plastic, LCP Vectra E130i made by Polyplastics, UL 94-V0 (UL No.:E106764) Diaphragm: Ni Alloy Disc N42
Weight (Typical)	1.6g
Reliability	<ul style="list-style-type: none"> *Life Test: At 5VDC in room temperature continuously for 1000 hours *High Temperature: No function at +90+/-2 °C for 240 hours; Function at +85+/-2 °C for 240 hours *Low Temperature: No function at -40+/-2 °C for 240 hours; Function at -30+/-2 °C for 240 hours *Humidity: +40+/-2 °C, 95+/-5%RH, 240 hours *Thermal Shock: -40+/-2 °C 0.5 hr → +25+/-2 °C 0.25 hr → +85+/-2 °C 0.5 hr → +25+/-2 °C 0.25 hr. Temperature Go up or Drop time is 0.5 hr. 3 hrs per 1 cycle. Total is 5 cycles *Vibration: 1.5mm with 10 to 50Hz of vibration frequency to each of 3 perpendicular directions for 2 hours *Shock: 980m/s² (=100g) shock for each mutually perpendicular directions, half sine wave, 3 times each *Drop Test: Dropped naturally from 750mm height onto the surface of 10mm wooden board. 2 directions – upper and side of the part are applied *Soldering Heat Resistance: Samples put through reflowing soldering oven 2 twice **Solderability: Samples put on PCB with solder paste through reflowing soldering oven 1 times

Warranty

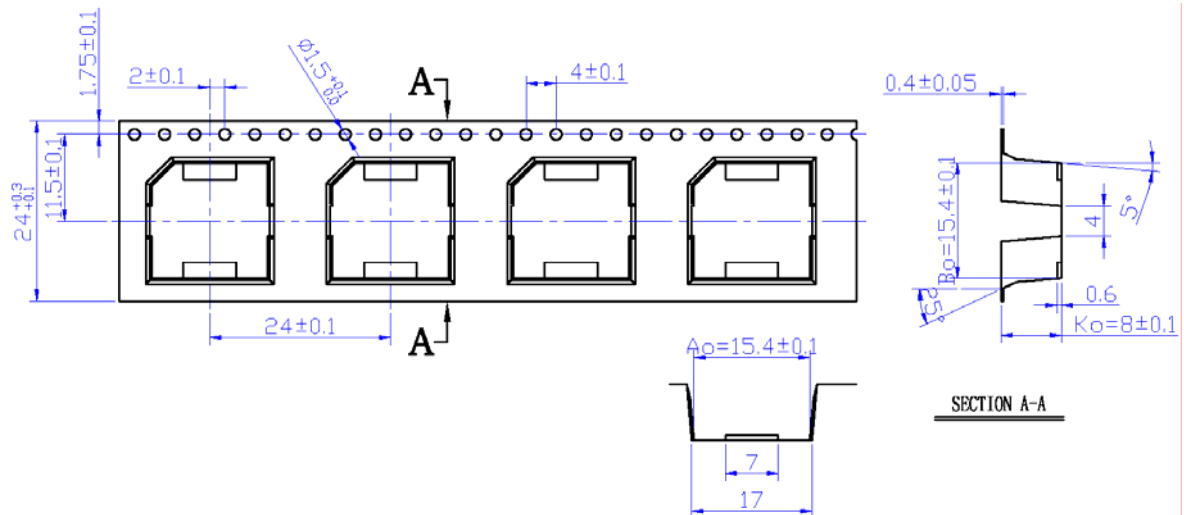
*All specifications must be satisfied after the test (Recovery:2 to 4 hrs of recovery under the standard condition after the removal from test chamber).
**90% min. soldering pads shall be with solder.(except the edge of pad)

Dimensions (Unit:mm, Tolerance: +/-0.3mm)



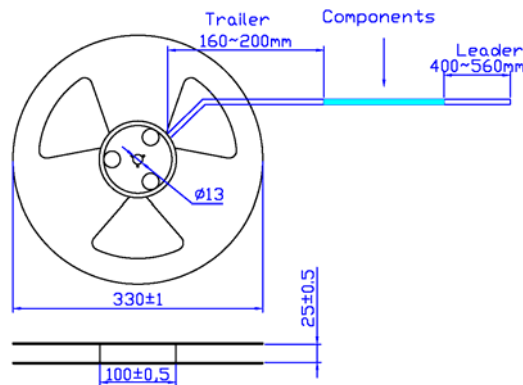
All specifications are subject to change without notice

Tape & Reel Dimensions (Unit:mm)

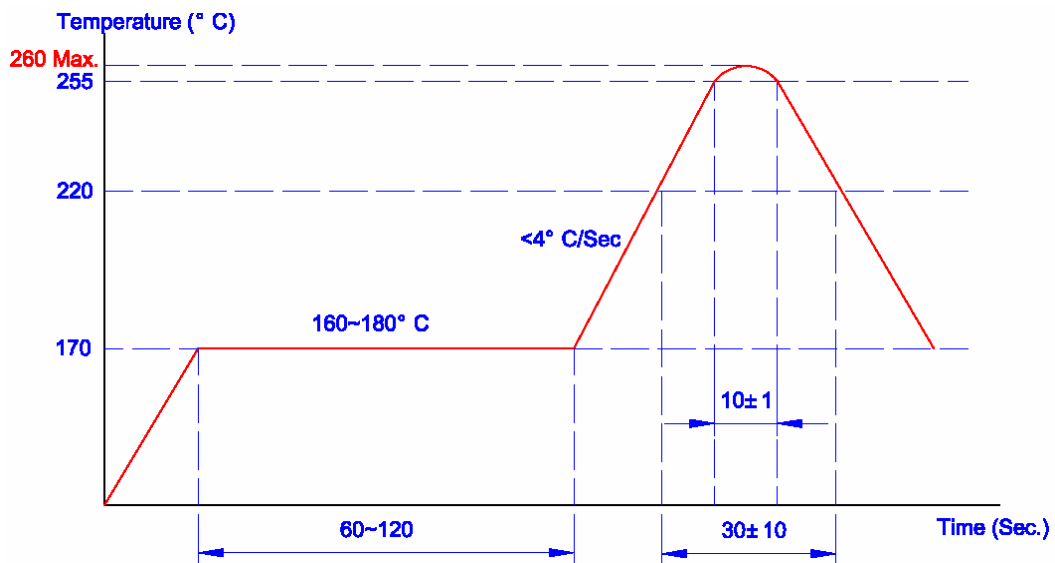


NOTE:

1. 10 sprocket holes pitch cumulative tolerance ± 0.20 mm.
2. Carrier camber not to exceed 1 mm in 100 mm.
3. A_o & B_o measured on a place 0.3mm above the bottom of the pocket
4. K_o measured from a plane on the inside bottom of pocket to the top surface of the carrier.
5. All dimensions meet EIA-481-2-A requirements.
6. Component loaded per 13" reel: 350 pcs.



Recommend Reflowing Profile



All specifications are subject to change without notice