

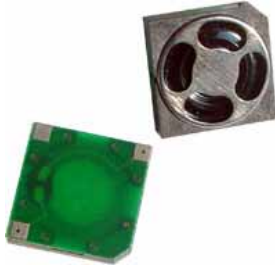
**Description**

**CSMS20S4.7-8S0.1-B1000:**

Chinasound SMD Micro Speaker 20mm length x 20mm width, Square frame, 4.7mm height - 8 ohm rated impedance, SmCo magnet, 0.1W rated power – type Black PEI cone, 1000 Hz rated frequency

- ◆ Water-proof
- ◆ Small size
- ◆ Tape and reel packaging for auto mounting

**Picture**



**Frequency Response Curve** Tested by LMS at 0.1W 0.5m



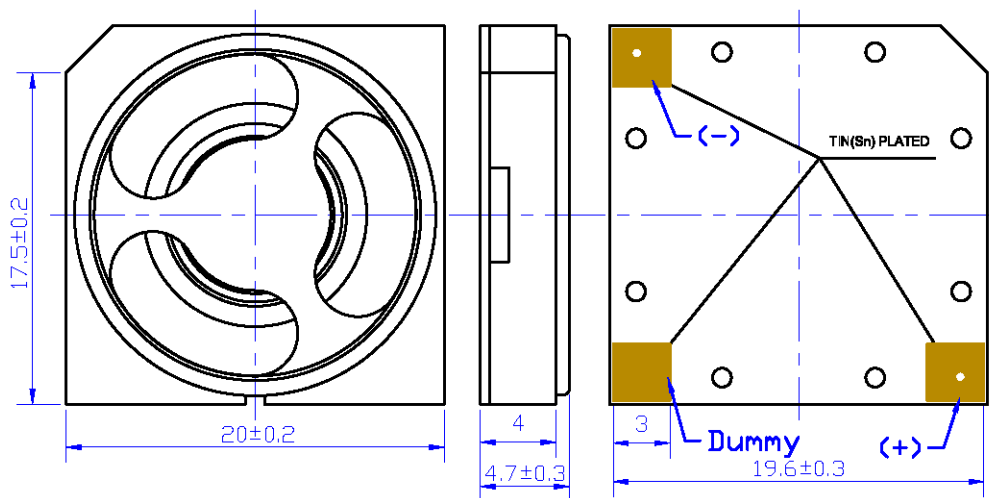
**Specification**

Rated Impedance	8+/-15% ohm (Other Rated Impedance is available.)
Rated Power	0.1 W
Max. Power	0.2 W
Resonant Frequency	1000+/-20% Hz
Frequency Range	fo ~ 11000 Hz
Sound Pressure Level	75+/-3 dB 0.1W 0.5m(Average of SPL values at 800, 1000, 1200 & 1500 Hz.)
Operating Temperature	-30 °C to +80 °C
Storage Temperature	-40 °C to +90 °C
Termination	PCB, gold plated
Construction Materials	Case Plastic, LCP Vectra E130i Diaphragm PEI Mylar
Weight (Typical)	2.3 g
Reliability	Must be normal at 0.9V(=0.1W) sine wave 0.1W white noise for 96hrs no function at +90 +/-2 °C for 96 hours, function at +80+/-2 °C for 16 hours, no function at -40+/-2 °C for 96 hours, function at -30+/-2 °C for 16 hours, +40+/-2°C, 90 ~ 95% R.H. for 48hrs -30+/-2 °C, 30min→+20 °C,15min,→+80+/-2 °C, 30min→+20 °C,15min, 5 cycles 1.5mm with 10 to 50Hz of vibration frequency to each of 3 perpendicular direction for 2 hrs For a period of one (1) year from date of manufacture under normal operations

**Warranty**

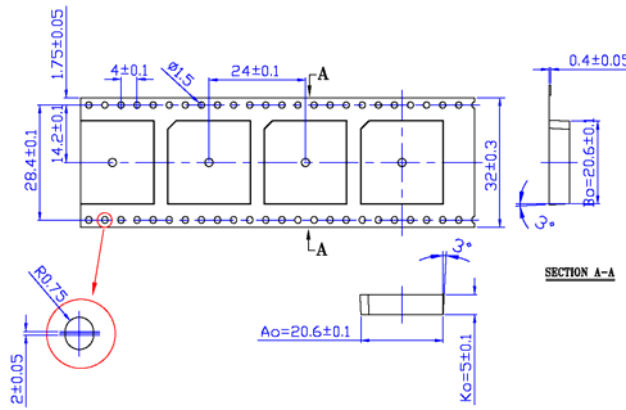
\* All specifications must be satisfied after the test (Recovery:2 to 4 hrs of recovery under the standard condition after the removal from test chamber).

**Dimensions ( Unit: mm )**

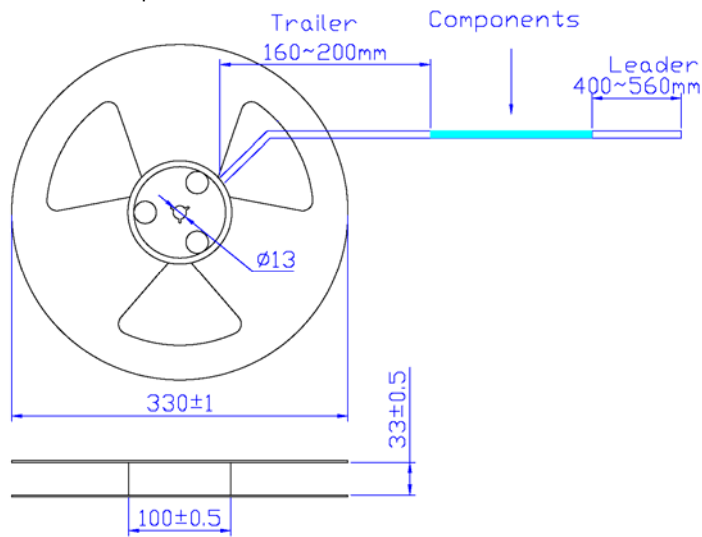


All specifications are subject to change without notice

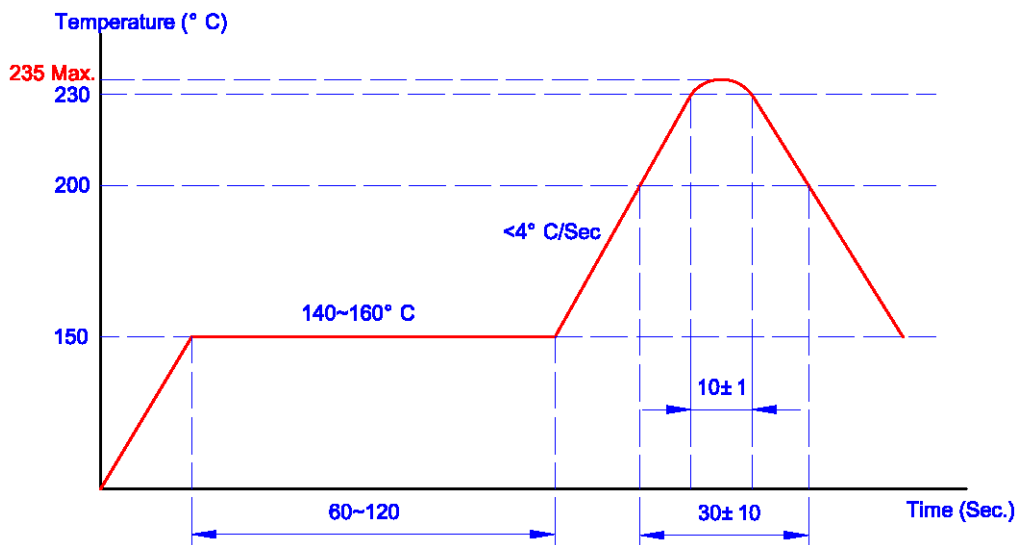
Tape & Reel Dimensions (Unit:mm)



1. 10 sprocket holes pitch cumulative tolerance +/-0.20mm.
2. Carrier camber not to exceed 1 mm in 100 mm.
3. Ao and Bo measured on a plane on a place 0.3 mm above the bottom of the pocket.
4. Ko measured from a plane on the inside bottom of the pocket to the top surface of the carrier.
5. All dimensions meet EIA-481-2-A requirements.
6. Thickness: 0.40+/-0.05 mm.
7. Component loaded per 13" reel: 500 pcs.



Recommend Reflowing Profile



All specifications are subject to change without notice