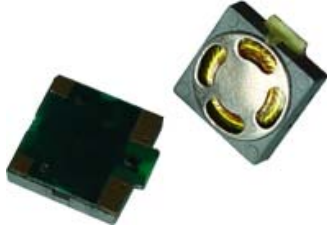


Description

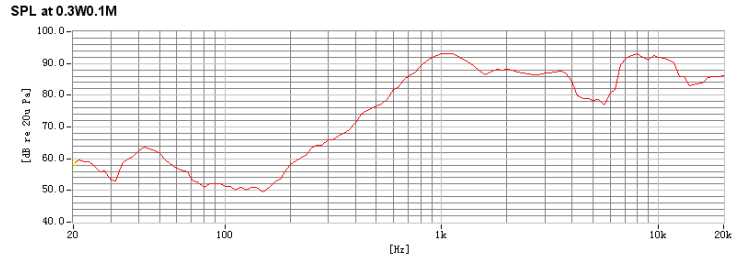
Chinasound SMD Micro Speaker 15mm width, Square frame, 4.3mm height - 8 ohm rated impedance, SmCo magnet, 0.3W rated power – type PEI cone, 950 Hz rated frequency, lead Free solderable and RoHS compliant

- ◆ RoHS complaint
- ◆ Water-proof
- ◆ Small size
- ◆ Lead Free Reflowing Solderable

Picture



Frequency Response Curve tested by Sound Check 6.0 at 0.3W 0.1m



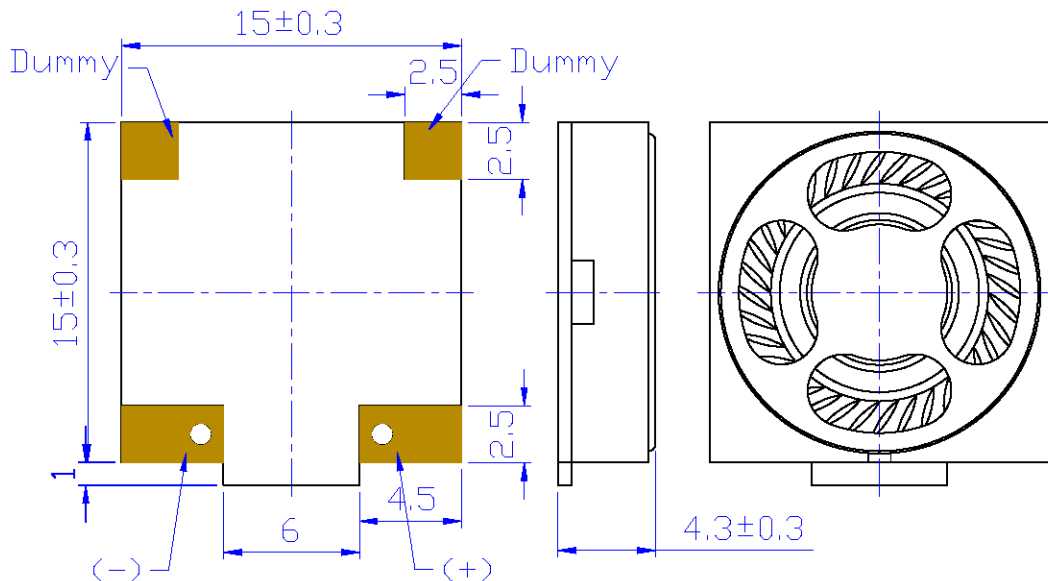
Specification

Rated Impedance	8+/-15% ohm (Other Rated Impedance is available.)
Rated Power	0.3 W
Max. Power	0.5 W
Resonant Frequency	950+/-20% Hz
Frequency Range	fo ~ 20000 Hz
Sound Pressure Level	89+/-3 dB 0.3W 0.1m(Average of SPL values at 800, 1000, 1200 & 1500 Hz.)
Operating Temperature	-30 °C to +80 °C
Storage Temperature	-40 °C to +90 °C
Termination	PCB, gold plated
Construction Materials	Case Plastic, LCP Vectra E130i Diaphragm PEI Mylar
Weight (Typical)	2.3 g
Reliability	Must be normal at 1.55V(=0.3W) sine wave 0.3W white noise for 96hrs no function at +90 +/-2 °C for 96 hours, function at +80+/-2 °C for 16 hours, no function at -40+/-2 °C for 96 hours, function at -30+/-2 °C for 16 hours, +40+/-2 °C, 90 ~ 95% R.H. for 48hrs -30+/-2 °C, 30min→+20 °C,15min,→+80+/-2 °C, 30min→+20 °C,15min, 5 cycles 1.5mm with 10 to 50Hz of vibration frequency to each of 3 perpendicular direction for 2 hrs For a period of one (1) year from date of manufacture under normal operations

Warranty

* All specifications must be satisfied after the test (Recovery:2 to 4 hrs of recovery under the standard condition after the removal from test chamber).

Dimensions (Unit: mm)



All specifications are subject to change without notice

Composed by: Guo J/091216 Checked by: Gong YS, Zhu YC/091216 Approved by: Wang Z/091216



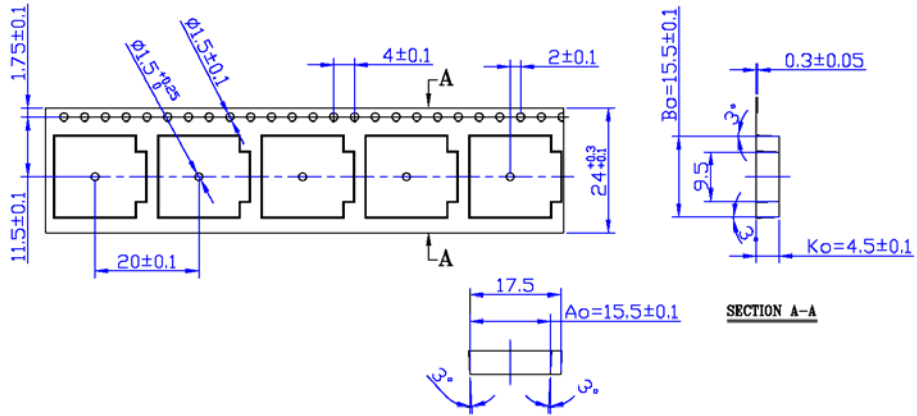
CHANGZHOU CHINASOUND ELECTRONICS CO., LTD.

Tel: +86-519-86182518 Fax: 86182519

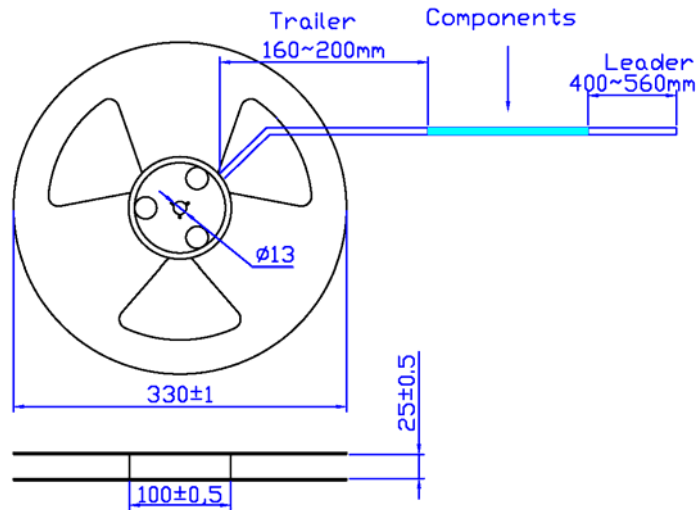
<http://www.chinasound.com>

email: csound@jsmail.com.cn

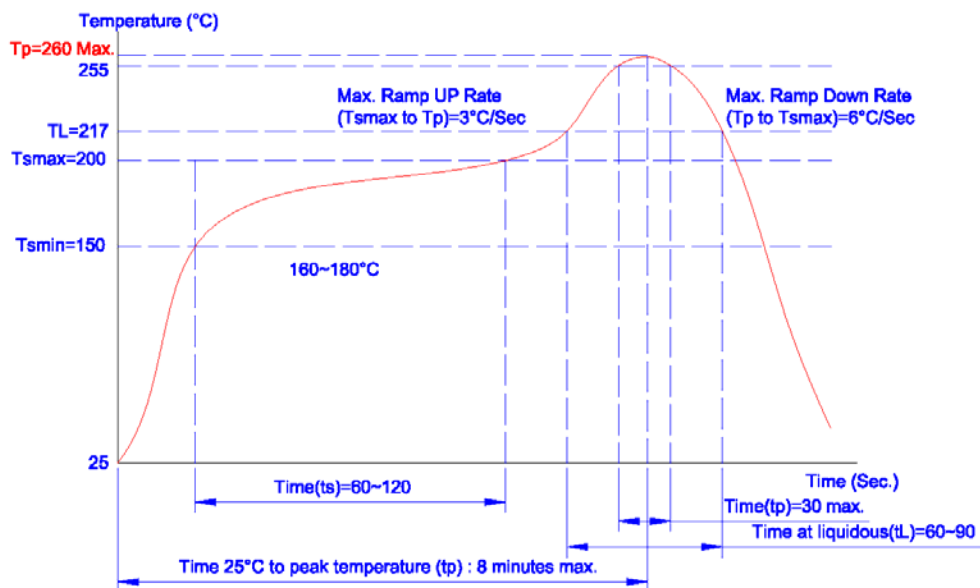
Tape & Reel Dimensions (Unit:mm)



1. 10 sprocket holes pitch cumulative tolerance ± 0.20 mm.
2. Carrier camber not to exceed 1 mm in 100 mm.
3. A_o and B_o measured on a plane on a place 0.3 mm above the bottom of the pocket.
4. K_o measured from a plane on the inside bottom of the pocket to the top surface of the carrier.
5. All dimensions meet EIA-481-2-A requirements.
6. Thickness: 0.40 ± 0.05 mm.
7. Component loaded per 13" reel: 750 pcs.



Recommend Reflowing Profile



All specifications are subject to change without notice

Composed by: Guo J/091216 Checked by: Gong YS, Zhu YC/091216 Approved by: Wang Z/091216



CHANGZHOU CHINASOUND ELECTRONICS CO., LTD.

Tel: +86-519-86182518 Fax: 86182519

<http://www.chinasound.com>

email: csound@jmail.com.cn

Revisions History

Version Number	Description	Name
040930	Original, CSMS15S4.3-8S0.3-P900	Guo Jun
061216	Switch to RoHS compliant version, CSMS15S4.3-8S0.3-P950F	Guo Jun
091216	To update the Recommend Reflowing Profile as per IPC/JEDEC J-STD-020D	Guo Jun

Composed by: Guo J/091216 Checked by: Gong YS, Zhu YC/091216 Approved by: Wang Z/091216

ChinaSound

CHANGZHOU CHINASOUND ELECTRONICS CO., LTD.

Tel: +86-519-86182518 Fax: 86182519

<http://www.chinasound.com>
email: csound@jmail.com.cn