

Description

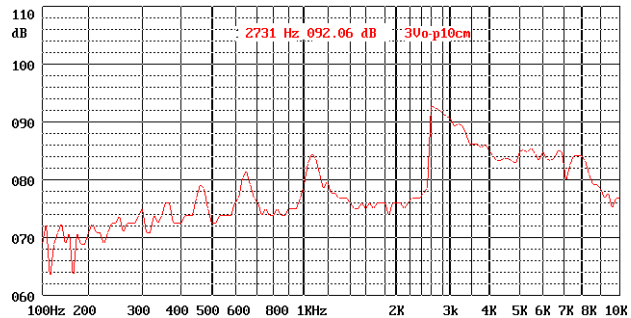
Chinasound SMD Electro-magnetic Transducer 9mm diameter, type C(=2.7mm height, side fire sound hole), 3Vo-p rated voltage – 15ohm coil resistance – 2.731KHz resonant frequency, Lead Free reflowing solderable, RoHS compliant

- ◆ RoHS compliant
- ◆ Small size
- ◆ Reflowing Solderable
- ◆ Flame Retardant Plastic
- ◆ Tape and reel packaging for auto mounting

Picture



Frequency Response Curve

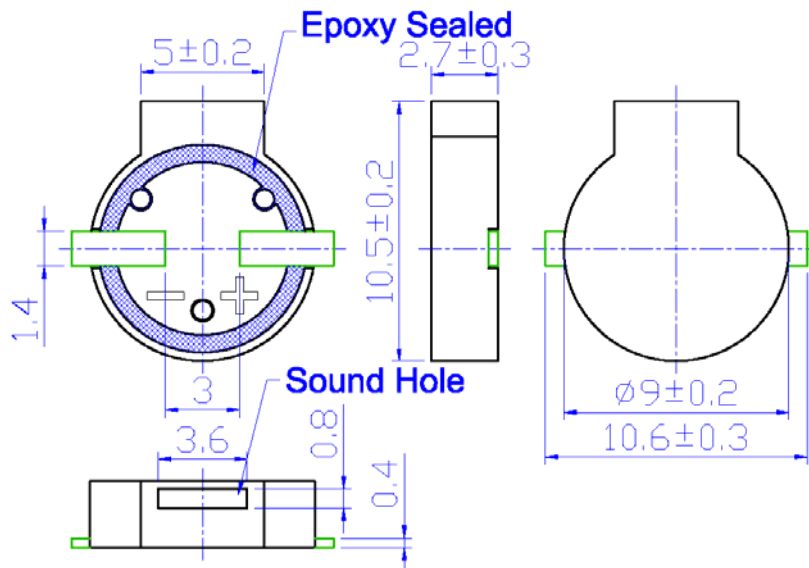


Specification

Rated Voltage	3 Vo-p square wave, 1/2 duty square wave
Operating Voltage	1.5-4 Vo-p square wave, 1/2 duty square wave
Rated Current	90 mA max. at 3 Vo-p square wave, 1/2 duty square wave, 2731Hz
Coil Resistance	15+/-3 ohm
Sound Output	85dB min. at 3 Vo-p square wave, 1/2 duty square wave, 10cm, 2731Hz
Operating Frequency	2731+/-500Hz
Operating Temperature	-30 °C to +85 °C
Storage Temperature	-40 °C to +90 °C
Termination	2 soldering pads, PCB plated Gold
Construction Materials	Case Plastic, LCP Vectra E130i Diaphragm Ni Alloy Disc N50
Weight (Typical)	0.6 g
Reliability	*Life Test At 3 Vo-p in room temperature continuously for 1000 hours *High Temperature no function at +90+/-2 °C for 96 hours, function at +85+/-2 °C for 96 hours, *Low Temperature no function at -40+/-2 °C for 96 hours, function at -30+/-2 °C for 96 hours, *Humidity 25+/-2 °C, 90-95%RH, 5hr→up to 55+/-2 °C, 90-95%RH, 0.5hr →55+/-2 °C, 90-95%RH, 5hr→down to 25 +/-2 °C, 90-95%RH, 0.5hr, 10 cycles *Thermal Shock -40+/-2 °C, 30min→+20 °C, 15min, →+85+/-2 °C, 30min→+20 °C, 15min, 5 cycles *Vibration 1.5mm with 10 to 50Hz of vibration frequency to each of 3 perpendicular direction for 2 hrs *Shock 98m/s ² (=10g) shock for each mutually perpendicular directions, half sine wave, 3 times each *Drop Test Dropped naturally from 750mm height onto the surface of 10mm wooden board. 2 directions – upper and side of the part are applied *Soldering Heat Resistance Samples put through reflowing soldering oven 2 twice **Solderability Samples put on PCB with solder paste through reflowing soldering oven 1 times
Warranty	For a period of one (1) year from date of manufacture under normal operations

* All specifications must be satisfied after the test (Recovery:2 to 4 hrs of recovery under the standard condition after the removal from test chamber).
**90% min. soldering pads shall be with solder.(except the edge of pad)

Dimensions (Unit: mm)



All specifications are subject to change without notice

Composed by: Sun Haili/090707 Checked by: Gong Yongsheng, Zhu Yongchang/090707 Approved by: Wang Zhen/090707



CHANGZHOU CHINASOUND ELECTRONICS CO., LTD.

Tel: +86-519-86182518 Fax: +86-519-86182519

http://www.chinasound.com
email: csound@jsmail.com.cn

Revisions History

Version Number	Description	Name
061005	Original,	Guo Jun
090707	Recommended reflowing soldering profile is updated as per JEDEC J-STD-020D	Sun Hailian