

Description

Chinasound SMD Piezo Transducer 23mm diameter, type B(=10.8mm height), 05Vp-p rated voltage – 4KHz resonant frequency, lead Free reflowing solderable and RoHS compliant

◆ RoHS compliant

◆ Reliable Solid State Piezoelectric Technology

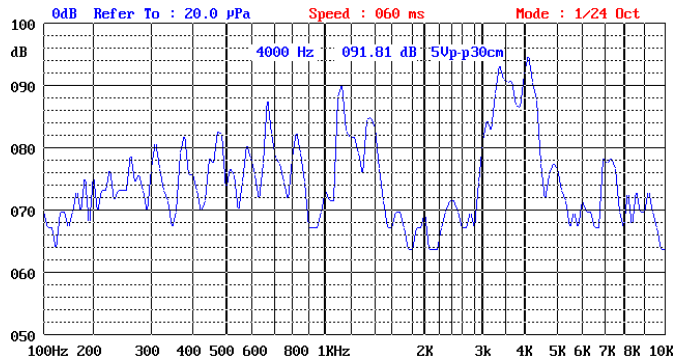
◆ Flame Retardant Plastic

◆ Reflowing solderable

Picture



Frequency Response Curve



Specification

- Rated Voltage
- Operating Voltage
- Operating Frequency
- Typical Sound Output
- Rated Current
- Capacitance
- Operating Temp.
- Storage Temperature
- Termination

Construction Materials

- Weight (Typical)
- Reliability

- Description
- Termination Strength
- Case
- Diaphragm

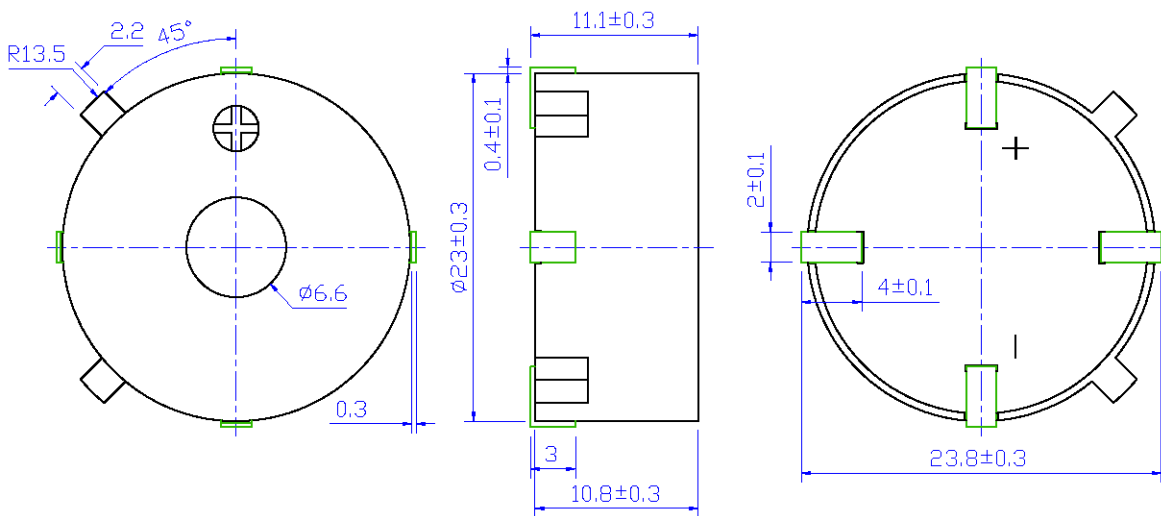
- *Life Test
- *High Temperature
- *Low Temperature
- *Humidity
- *Thermal Shock
- *Vibration
- *Shock
- *Drop Test
- *Soldering Heat Resistance
- **Solderability

5 Vp-p square wave
 30 Vp-p max.
 4,000+/-500Hz
 90dB min. at 5Vp-p 30cm 4KHz 25°C
 2mA at 9Vp-p 4KHz 25°C
 1,2000+/-30% pF at 100Hz 1Vrms
 -30°C to +85°C
 -40°C to +90°C
 4 soldering pads, Sn plated Brass
 Maximum of 9.8N (1kgs) for 10 seconds load pull test
 Plastic, PPS A7-03 or equal
 Ni Alloy Disc N42 or equal
 3.05 g
 At 5 Vp-p in room temperature continuously for 1000 hours
 No function at +90+/-2°C for 240 hours; Function at +85+/-2°C for 240 hours
 No function at -40+/-2°C for 240 hours; Function at -30+/-2°C for 240 hours
 +40+/-2°C, 95+/-5%RH, 240 hours
 -30+/-2°C 0.5 hr → +25+/-2°C 0.25 hr → +85+/-2°C 0.5 hr → +25+/-2°C 0.25 hr. Temperature Go up or Drop time is 0.5 hr. 3 hrs per 1 cycle. Total is 5 cycles
 1.5mm with 10 to 50Hz of vibration frequency to each of 3 perpendicular directions for 2 hours
 980m/s² (=100g) shock for each mutually perpendicular directions, half sine wave, 3 times each
 Dropped naturally from 750mm height onto the surface of 10mm wooden board. 2 directions – upper and side of the part are applied
 Samples put through reflowing soldering oven 2 twice
 Samples put on PCB with solder paste through reflowing soldering oven 1 times
 For a period of one (1) year from date of manufacture under normal operations

Warranty

*All specifications must be satisfied after the test (Recovery:2 to 4 hrs of recovery under the standard condition after the removal from test chamber).
 **90% min. soldering pads shall be with solder.(except the edge of pad)

Dimensions (Unit:mm)



All specifications are subject to change without notice

Composed by: Guo J/091006 Checked by: Gao CL, Gong YS, Zhu YC/091006 Approved by: Wang Z/091006



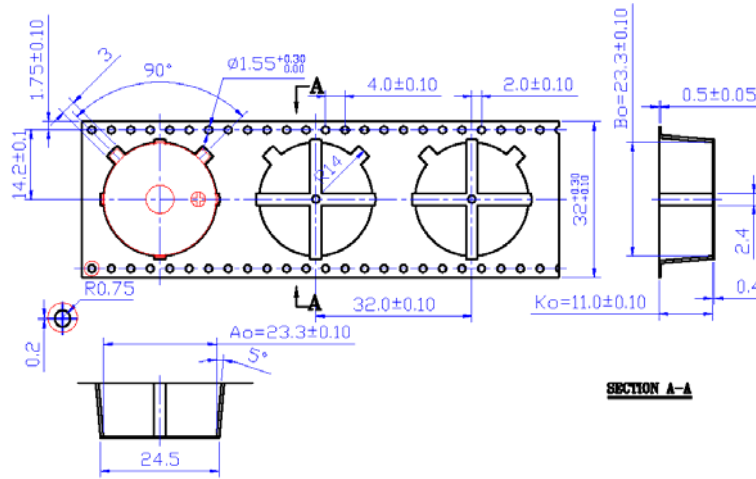
CHANGZHOU CHINASOUND ELECTRONICS CO., LTD.

Tel: +86-519-86182518 Fax: 86182519

http://www.chinasound.com

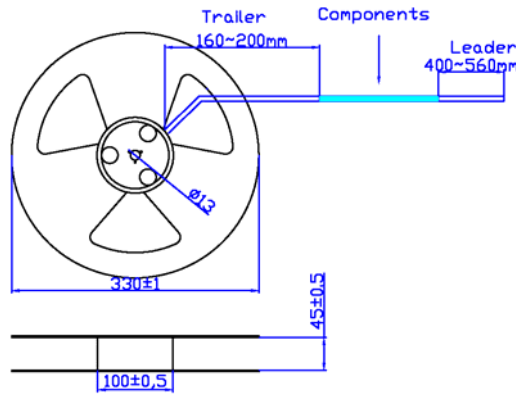
email: csound@jsmail.com.cn

Tape & Reel Dimensions (Unit:mm)

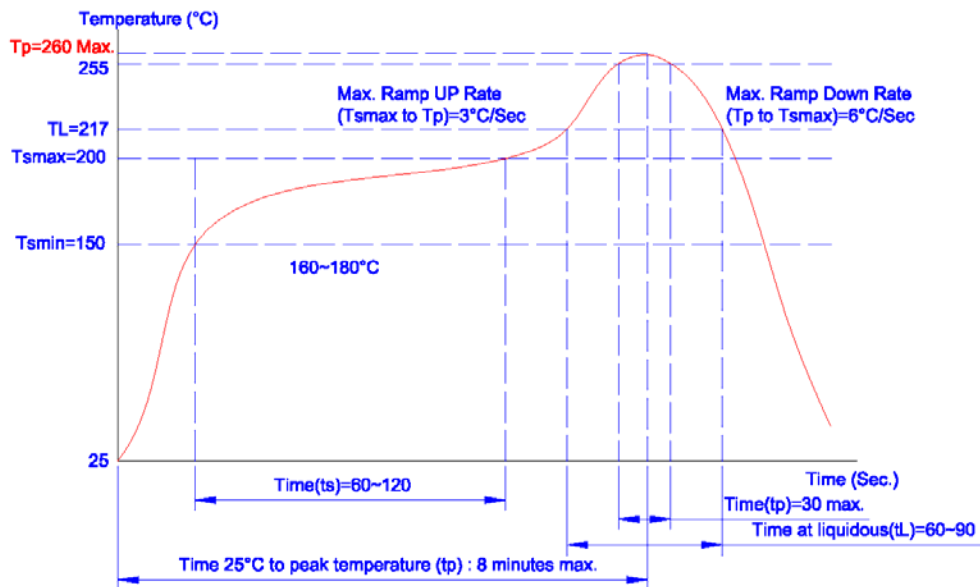


NOTE:

- 1.10 sprocket holes pitch cumulative tolerance ± 0.20 mm.
2. Carrier camber not to exceed 1 mm in 100 mm.
3. A_0 & B_0 measured on a plane 0.3mm above the bottom of the pocket
4. K_0 measured from a plane on the inside bottom of pocket to the top surface of the carrier.
5. All dimensions meet EIA-481-2-A requirements.
6. Component loaded per 13" reel: 150 pcs.



Recommend Reflowing Profile as per IPC/JEDEC J-STD-020D



All specifications are subject to change without notice

Composed by: Guo J/091006 Checked by: Gao CL, Gong YS, Zhu YC/091006 Approved by: Wang Z/091006

ChinaSound

CHANGZHOU CHINASOUND ELECTRONICS CO., LTD.

Tel: +86-519-86182518 Fax: 86182519

<http://www.chinasound.com>

email: csound@jssmail.com.cn

Revisions History

Version Number	Description	Name
091006	Original, CSPT23B05-4.0F	Guo Jun