

Description

Chinasound SMD Piezo Transducer 18mm diameter, type A(=7.7mm max. height) , 3.6Vp-p rated voltage – 2.0KHz resonant frequency, lead Free reflowing solderable and RoHS compliant

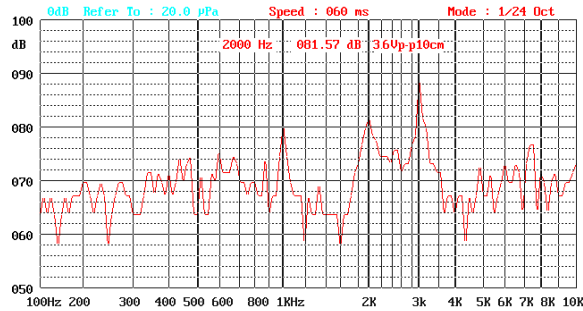
◆ RoHS compliant

- ◆ Reliable Solid State Piezoelectric Technology
- ◆ Corrosion Resistance Diaphragm
- ◆ Flame Retardant Plastic
- ◆ Tape and reel packaging for auto mounting

Picture



Frequency Response Curve



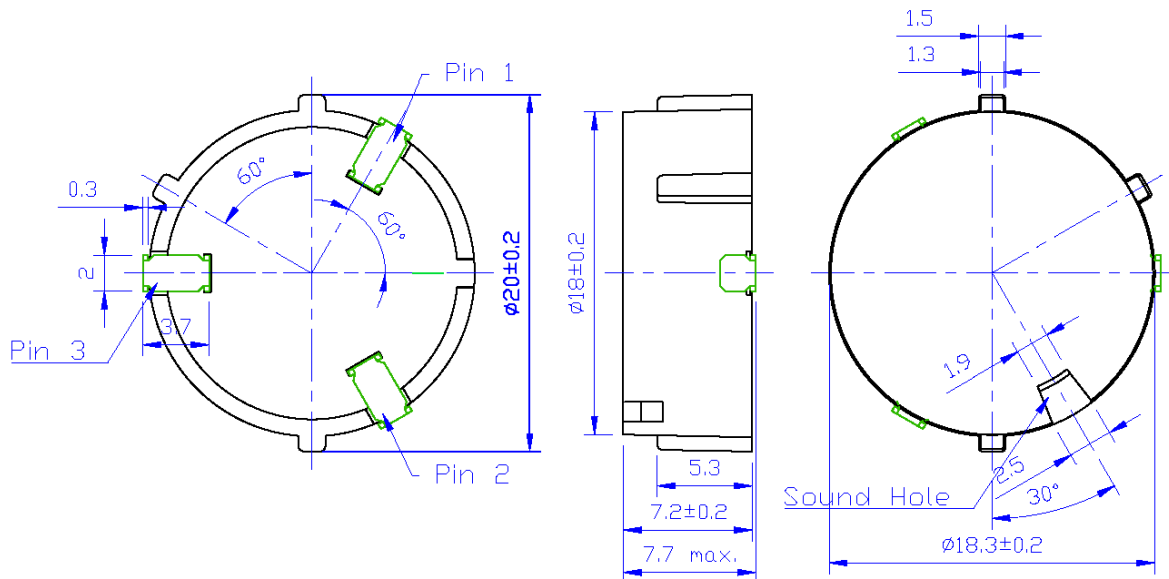
Specification

Rated Voltage	3.6 Vp-p
Operating Voltage	1 ~ 25 Vp-p
Operating Frequency	2,000+/-500Hz
Typical Sound Output	74 ~ 84dB 3.6Vp-p 10cm 2.0KHz 25 °C
Rated Current	1 mA at 3.6Vp-p 2.0KHz 25 °C
Capacitance	20,000+/-30% pF at 100Hz 1Vrms
Operating Temperature	-30 °C to +85 °C
Storage Temperature	-40 °C to +90 °C
Termination	Description 2 soldering pads, Sn plated Brass
Construction Materials	Case Plastic, PPS A7-03A Diaphragm Ni Alloy Disc N42
Weight (Typical)	2.0 g
Reliability	*Life Test At 3.6Vp-p, 1 minutes ON 1 minutes OFF in room temperature continuously for 1000 hours *High Temperature No function at +90+/-2 °C for 240 hours; Function at +85+/-2 °C for 240 hours *Low Temperature No function at -40+/-2 °C for 240 hours; Function at -30+/-2 °C for 240 hours *Humidity +40+/-2 °C, 95+/-5%RH, 240 hours *Thermal Shock -30+/-2 °C 0.5 hr → +25+/-2 °C 0.25 hr → +85+/-2 °C 0.5 hr → +25+/-2 °C 0.25 hr. Temperature Go up or Drop time is 0.5 hr. 3 hrs per 1 cycle. Total is 5 cycles *Vibration 1.5mm with 10 to 50Hz of vibration frequency to each of 3 perpendicular directions for 2 hours *Shock 980m/s ² (=100g) shock for each mutually perpendicular directions, half sine wave, 3 times each *Drop Test Dropped naturally from 750mm height onto the surface of 10mm wooden board. 2 directions – upper and side of the part are applied *Soldering Heat Resistance Samples put through reflowing soldering over 2 twice *Solderability Samples put on PCB with solder paste through reflowing soldering over 1 times

Warranty

*All specifications must be satisfied after the test (Recovery:2 to 4 hrs of recovery under the standard condition after the removal from test chamber).
**90% min. soldering pads shall be with solder.(except the edge of pad)

Dimensions (Unit: mm; Tolerance: +/-0.5mm)



All specifications are subject to change without notice

Composed by: Guo J/090926 Checked by: Gao CL, Gong YS, Zhu YC/090926 Approved by: Wang Z/090926



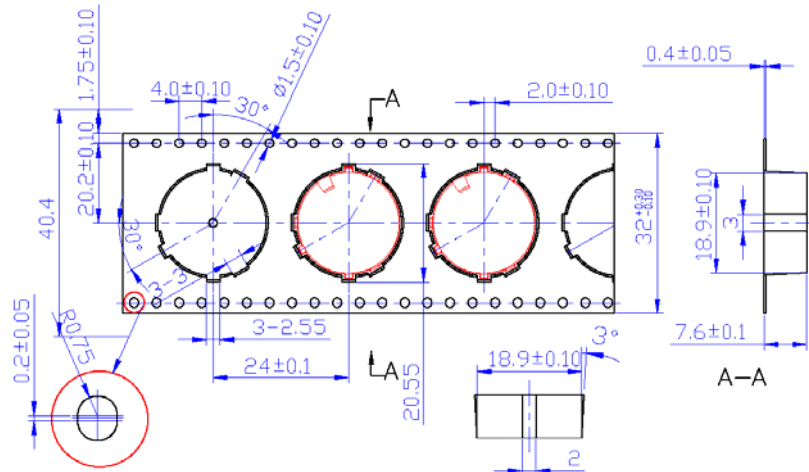
CHANGZHOU CHINASOUND ELECTRONICS CO., LTD.

Tel: +86-519-86182518 Fax: +86-519-86182519

<http://www.chinasound.com>

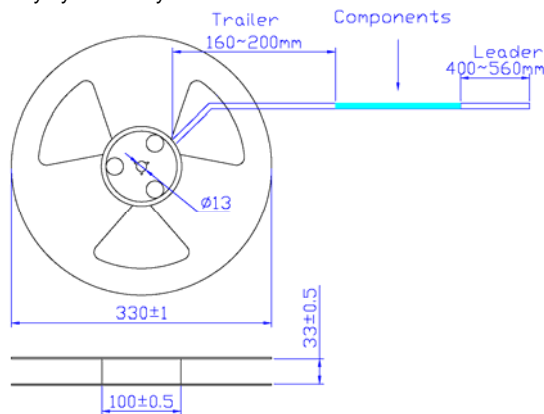
email: csound@jmail.com.cn

Tape & Reel Dimensions (Unit:mm)

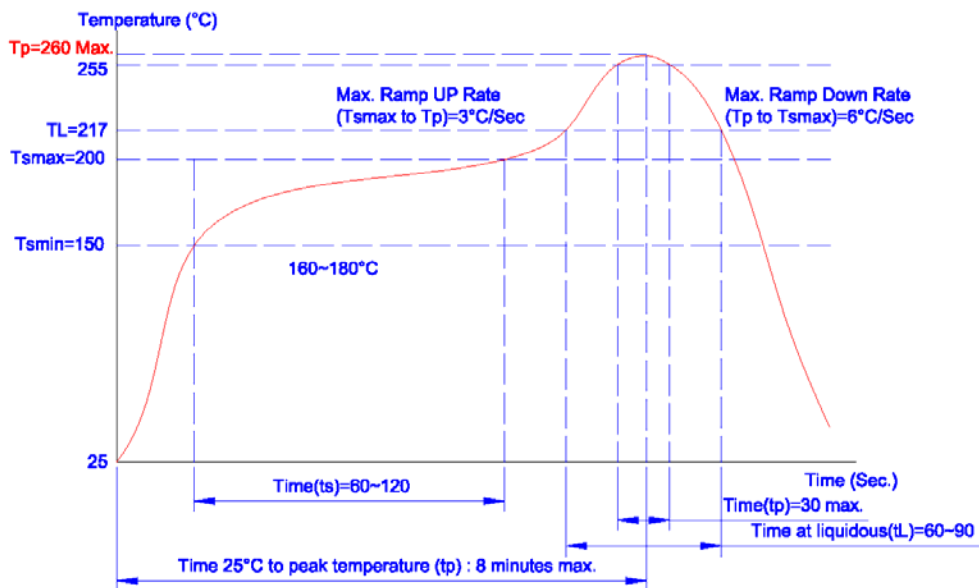


NOTE:

1. 10 sprocket hole pitch cumulative tolerance +/-0.20mm.
2. Carrier camber not to exceed 1 mm in 100 mm.
3. All dimensions meet EIA-481-2-A requirements.
4. Thickness: 0.40+/-0.05 mm.
5. Component loaded per 13" reel: 300 pcs.
6. Carrier length per 13" reel: 8.3 m.
7. Material : Black Conductive Polystyrene Alloy.



Recommend Reflowing Profile as per IPC/JEDEC J-STD-020D



All specifications are subject to change without notice

Composed by: Guo J/090926 Checked by: Gao CL, Gong YS, Zhu YC/090926 Approved by: Wang Z/090926



CHANGZHOU CHINASOUND ELECTRONICS CO., LTD.

Tel: +86-519-86182518 Fax: +86-519-86182519

<http://www.chinasound.com>

email: csound@jmail.com.cn

Revisions History

Version Number	Description	Name
090926	Original, CSPT18A3.6-2.0F	Guo Jun