

Description

Chinasound SMD Piezo Transducer 14.3< 15 mm length, type A(=14.3 mm width, 7.4 mm height), 5Vp-p rated voltage – 4.0KHz resonant frequency, lead Free reflowing solderable and RoHS compliant

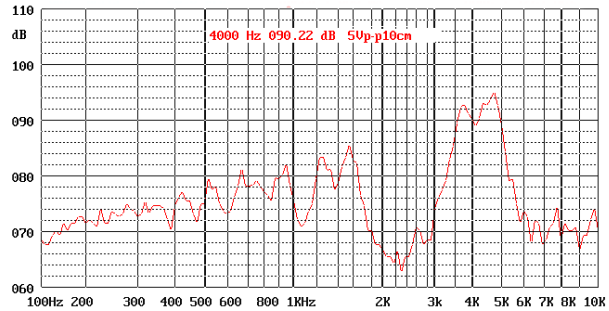
◆ **RoHS compliant**

- ◆ Reliable Solid State Piezoelectric Technology
- ◆ Corrosion Resistance Diaphragm
- ◆ Flame Retardant Plastic
- ◆ Tape and reel packaging for auto mounting

Picture



Frequency Response Curve



Specification

- Rated Voltage
- Operating Voltage
- Operating Frequency
- Typical Sound Output
- Rated Current
- Capacitance
- Operating Temperature
- Storage Temperature
- Termination
- Construction Materials
- Weight (Typical)
- Reliability

Description
Case
Diaphragm

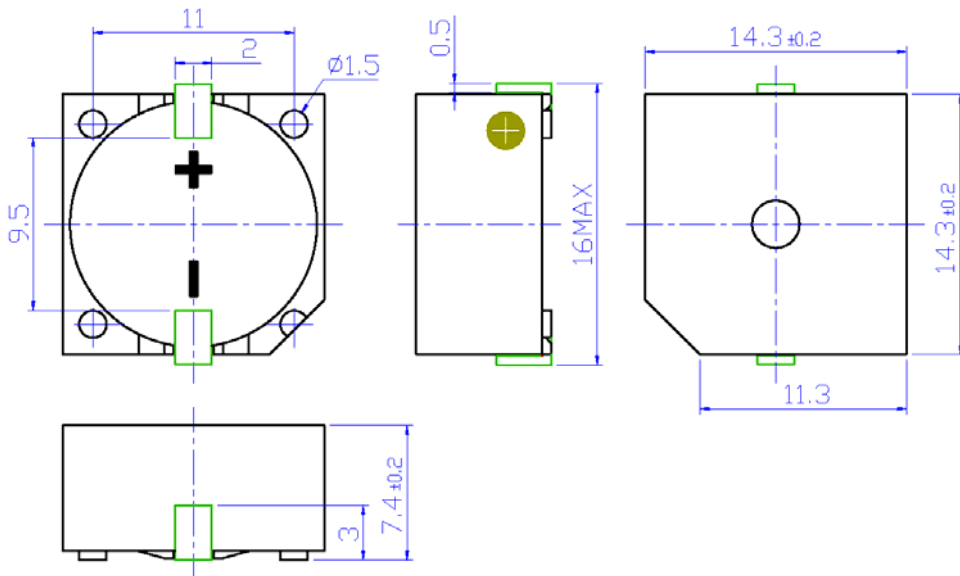
5 Vp-p max.
20 Vp-p max.
4000+/-500Hz
80dB min. at 5Vp-p 10cm 4.0 KHz 25 °C
2mA at 5Vp-p
15000+/-30% pF at 100Hz 1Vrms
-40 °C to +105 °C
-40 °C to +120 °C
2 soldering pads, Sn plated Brass
Plastic, PPS A7-03A
Ni Alloy Disc N42
1.9g
At 5 Vp-p, 1 minutes ON 1 minutes OFF in room temperature continuously for 1000 hours
No function at +120+/-2 °C for 240 hours; Function at +105+/-2 °C for 240 hours
No function at -40+/-2 °C for 240 hours; Function at -40+/-2 °C for 240 hours
+40+/-2 °C, 95+/-5%RH, 240 hours
-30+/-2 °C 0.5 hr → +25+/-2 °C 0.25 hr → +105+/-2 °C 0.5 hr → +25+/-2 °C 0.25 hr. Temperature
Go up or Drop time is 0.5 hr. 3 hrs per 1 cycle. Total is 5 cycles
1.5mm with 10 to 50Hz of vibration frequency to each of 3 perpendicular directions for 2 hours
980m/s² (=100g) shock for each mutually perpendicular directions, half sine wave, 3 times each
Dropped naturally from 750mm height onto the surface of 10mm wooden board. 2 directions – upper and side of the part are applied
Samples put through reflowing soldering over 2 twice
Samples put on PCB with solder paste through reflowing soldering over 1 times

- *Life Test
- *High Temperature
- *Low Temperature
- *Humidity
- *Thermal Shock
- *Vibration
- *Shock
- *Drop Test
- *Soldering Heat Resistance
- **Solderability

Warranty

*All specifications must be satisfied after the test (Recovery:2 to 4 hrs of recovery under the standard condition after the removal from test chamber).
**90% min. soldering pads shall be with solder.(except the edge of pad)

Dimensions (Unit:mm)



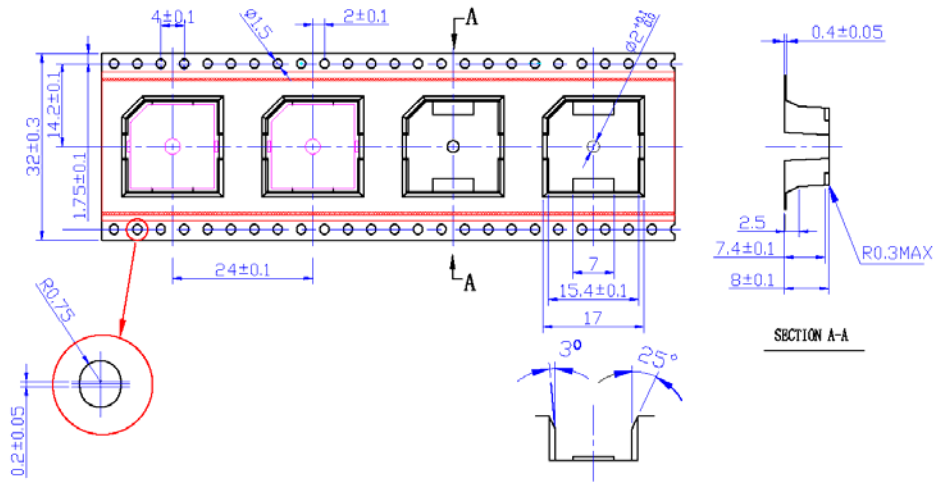
All specifications are subject to change without notice

Composed by: Guo J/090513 Checked by: Gao CL, Gong YS, Zhu YC/090513 Approved by: Wang Z/090513



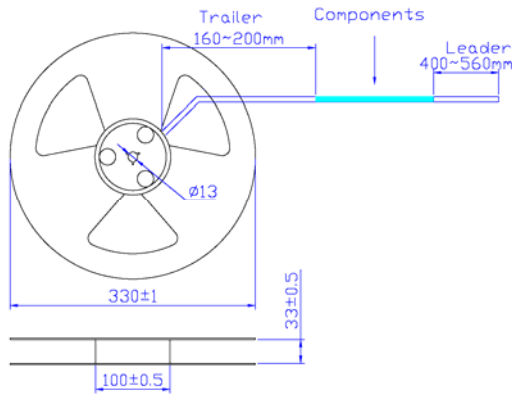
CHANGZHOU CHINASOUND ELECTRONICS CO., LTD.
Tel: +86-519-86182518 Fax: 86182519
<http://www.chinasound.com>
email: csound@jsmail.com.cn

Tape & Reel Dimensions (Unit:mm)

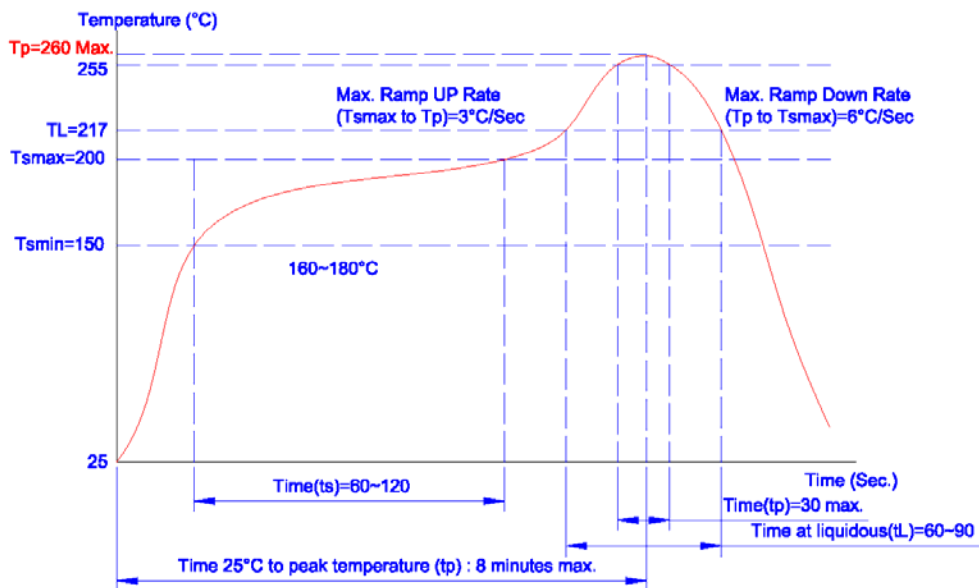


NOTE:

1. 10 sprocket hole pitch cumulative tolerance +/-0.20mm.
2. Carrier camber not to exceed 1 mm in 250 mm.
3. All dimensions meet EIA-481-2-A requirements.
4. Thickness: 0.40+/-0.05 mm.
5. Component loaded per 13" reel: 350 pcs.



Recommend Reflowing Profile as per IPC/JEDEC J-STD-020D



All specifications are subject to change without notice

Composed by: Guo J/090513 Checked by: Gao CL, Gong YS, Zhu YC/090513 Approved by: Wang Z/090513

Revision History

Version Number	Description	Name
040224	Original, CSPT15A05-4.0	Guo Jun
060301	Change to RoHS compliant version, CSPT15A05-4.0F	Guo Jun
080520	Improve design to add air through holes	Guo Jun
090513	Recommended reflowing soldering profile is updated as per JEDEC J-STD-020D	Guo Jun

Composed by: Guo J/090513 Checked by: Gao CL, Gong YS, Zhu YC/090513 Approved by: Wang Z/090513

ChinaSound

CHANGZHOU CHINASOUND ELECTRONICS CO., LTD.

Tel: +86-519-86182518 Fax: 86182519

<http://www.chinasound.com>
email: csound@jmail.com.cn