

Description

Chinasound SMD Piezo Transducer 12.8(<13mm) length, type A(=12.8 mm width,2.5mm height), 3Vp-p rated voltage – 4.0KHz resonant frequency, lead Free reflowing solderable and RoHS compliant

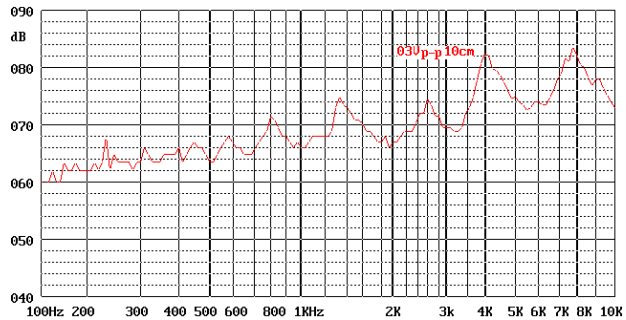
◆ **RoHS compliant**

- ◆ Reliable Solid State Piezoelectric Technology
- ◆ Corrosion Resistance Diaphragm
- ◆ Flame Retardant Plastic
- ◆ Tape and reel packaging for auto mounting

Picture



Frequency Response Curve



Specification

- Operating Voltage
- Operating Frequency
- Typical Sound Output
- Rated Current
- Capacitance
- Operating Temperature
- Storage Temperature
- Termination
- Construction Materials

20 Vp-p max.
 4000+/-500Hz
 75dB min. at 3Vp-p 10cm 4KHz 25 °C
 1mA at 3Vp-p
 15000+/-30% pF at 100Hz 1Vrms
 -40°C to +105 °C
 -40°C to +120 °C
 2 soldering pads, Sn plated Brass
 Plastic, LCP Vectra E130i
 Ni Alloy Disc N42
 0.9g

- Weight (Typical)
- Reliability

Description
 Case
 Diaphragm

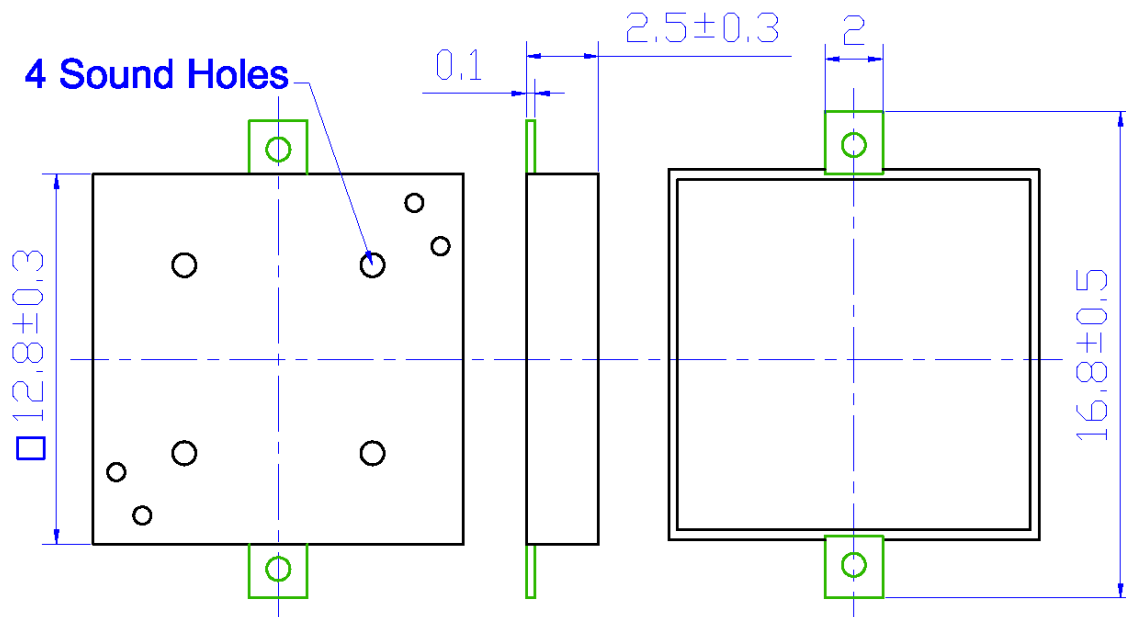
- *Life Test
- *High Temperature
- *Low Temperature
- *Humidity
- *Thermal Shock
- *Vibration
- *Shock
- *Drop Test
- *Soldering Heat Resistance
- **Solderability

At 3 Vp-p, 1 minutes ON 1 minutes OFF in room temperature continuously for 1000 hours
 No function at +120+/-2 °C for 240 hours; Function at +105+/-2 °C for 240 hours
 No function at -40+/-2 °C for 240 hours; Function at -40+/-2 °C for 240 hours
 +40+/-2 °C, 95+/-25%RH, 240 hours
 -30+/-2 °C 0.5 hr → +25+/-2 °C 0.25 hr → +105+/-2 °C 0.5 hr → +25+/-2 °C 0.25 hr. Temperature Go up or Drop time is 0.5 hr. 3 hrs per 1 cycle. Total is 5 cycles
 1.5mm with 10 to 50Hz of vibration frequency to each of 3 perpendicular directions for 2 hours
 980m/s² (=100g) shock for each mutually perpendicular directions, half sine wave, 3 times each
 Dropped naturally from 750mm height onto the surface of 10mm wooden board. 2 directions – upper and side of the part are applied
 Samples put through reflowing soldering oven 2 twice
 Samples put on PCB with solder paste through reflowing soldering oven 1 times
 For a period of one (1) year from date of manufacture under normal operations

Warranty

*All specifications must be satisfied after the test (Recovery:2 to 4 hrs of recovery under the standard condition after the removal from test chamber).
 **90% min. soldering pads shall be with solder.(except the edge of pad)

Dimensions (Unit:mm)



All specifications are subject to change without notice

Composed by: Guo J/090624 Checked by: Gao CL, Gong YS, Zhu YC/090624 Approved by: Wang Z/090624



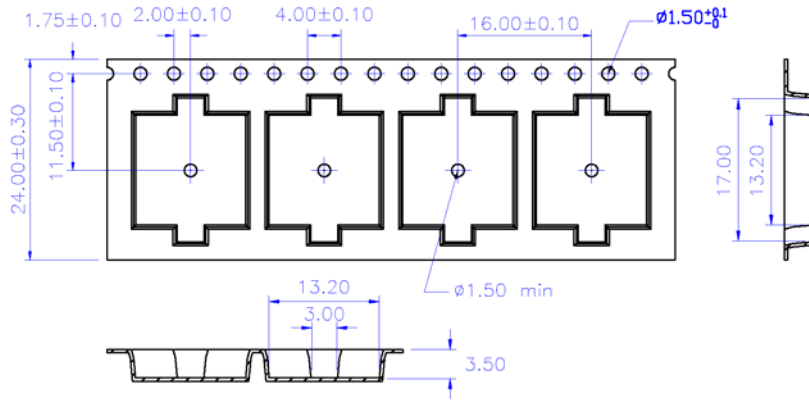
CHANGZHOU CHINASOUND ELECTRONICS CO., LTD.

Tel: +86-519-86182518 Fax: +86-519-86182519

<http://www.chinasound.com>

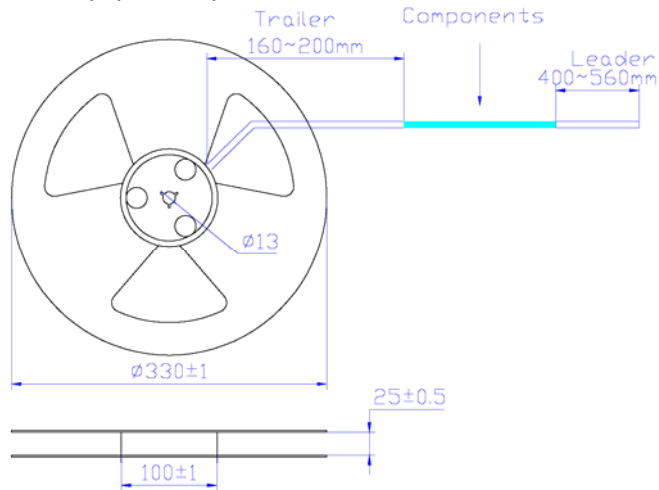
email: csound@ismail.com.cn

Tape & Reel Dimensions (Unit:mm)

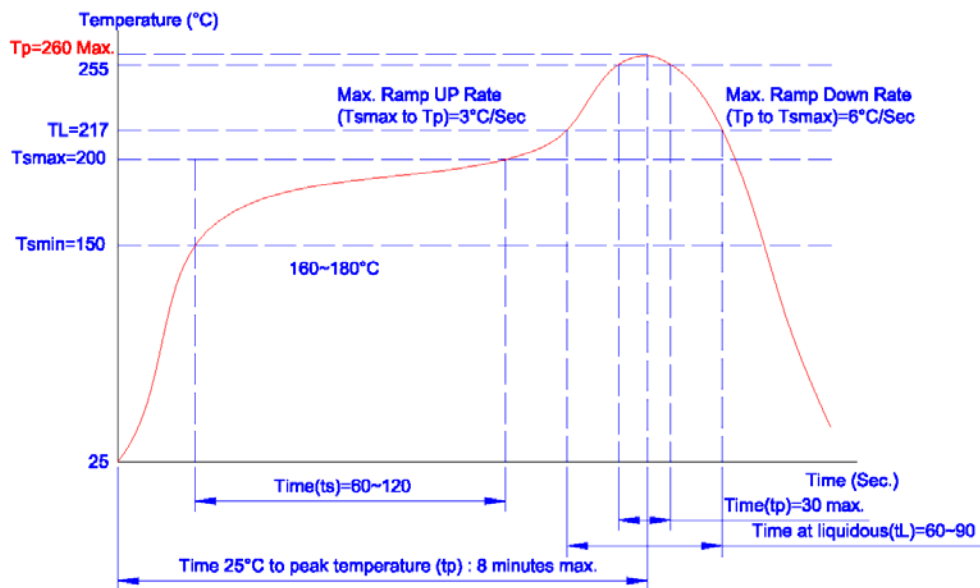


NOTE:

1. 10 sprocket hole pitch cumulative tolerance +/-0.20mm.
2. Carrier camber not to exceed 1 mm in 250 mm.
3. All dimensions meet EIA-481-2-A requirements.
4. Thickness: 0.40+/-0.05 mm.
5. Component loaded per 13" reel: 1,000 pcs.
6. Material : Black Conductive Polystyrene Alloy



Recommend Reflowing Profile as per IPC/JEDEC J-STD-020D



All specifications are subject to change without notice

Composed by: Guo J/090624 Checked by: Gao CL, Gong YS, Zhu YC/090624 Approved by: Wang Z/090624

Revision History

Version Number	Description	Name
040924	Original, CSPT13A03-4.0	Guo Jun
060223	Rosh compliant version, CSPT13A05-4.0F	Guo Jun
090624	To add Recommend reflowing Profile as per J-STD-020D	Guo Jun

Composed by: Guo J/090624 Checked by: Gao CL, Gong YS, Zhu YC/090624 Approved by: Wang Z/090624

ChinaSound

CHANGZHOU CHINASOUND ELECTRONICS CO., LTD.

Tel: +86-519-86182518 Fax: +86-519-86182519

<http://www.chinasound.com>

email: csound@jmail.com.cn