

Description

Chinasound SMD Piezo Transducer 12mm length, type B(=12mm width, 2.7mm height) , 3Vp-p rated voltage – 4.0KHz resonant frequency, lead Free reflowing solderable and RoHS compliant

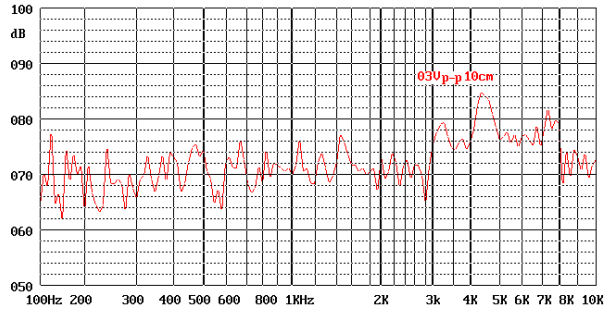
◆ **RoHS compliant**

- ◆ Reliable Solid State Piezoelectric Technology
- ◆ Corrosion Resistance Diaphragm
- ◆ Flame Retardant Plastic
- ◆ Tape and reel packaging for auto mounting

Picture



Characteristics



Specification

- Operating Voltage
- Operating Frequency
- Typical Sound Output
- Rated Current
- Capacitance
- Operating Temperature
- Storage Temperature
- Termination
- Construction Materials

Weight (Typical)

Reliability

Description
Case
Diaphragm

- *Life Test
- *High Temperature
- *Low Temperature
- *Humidity
- *Thermal Shock
- *Vibration
- *Shock
- *Drop Test
- *Soldering Heat Resistance
- **Solderability

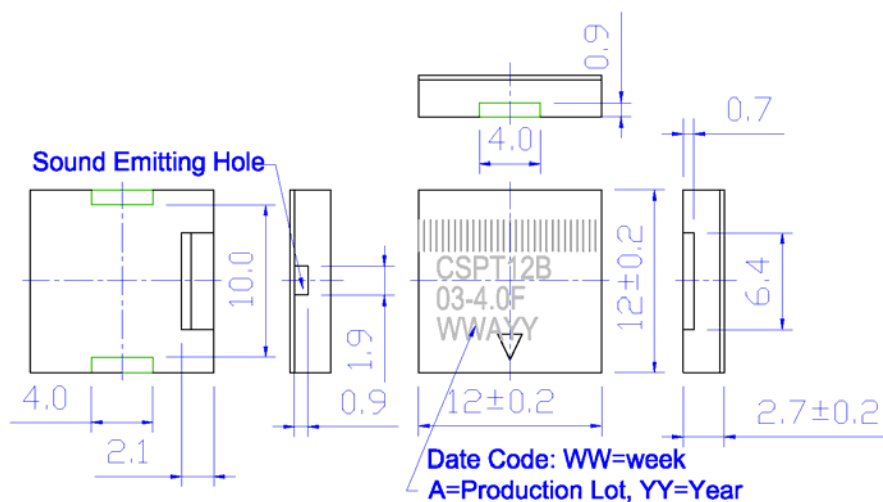
20 Vp-p max.
4000+/-500Hz
72dB min. at 3Vp-p 10cm 4KHz 25 °C
1mA at 3Vp-p
15000+/-30% pF at 100Hz 1Vrms
-40 °C to +105 °C
-40 °C to +120 °C
2 soldering pads, Sn plated Brass
Plastic, LCP Vectra E130i
Ni Alloy Disc N42
0.8g
At 3 Vp-p, 1 minutes ON 1 minutes OFF in room temperature continuously for 1000 hours
No function at +120+/-2 °C for 240 hours; Function at +105+/-2 °C for 240 hours
No function at -40+/-2 °C for 240 hours; Function at -40+/-2 °C for 240 hours
+40 +/-2 °C, 95+/-5%RH, 240 hours
-40 +/-2 °C 0.5 hr → +25+/-2 °C 0.25 hr → +105+/-2 °C 0.5 hr → +25+/-2 °C 0.25 hr.
Temperature Go up or Drop time is 0.5 hr. 3 hrs per 1 cycle. Total is 5 cycles
1.5mm with 10 to 50Hz of vibration frequency to each of 3 perpendicular directions for 2 hours
980m/s² (=100g) shock for each mutually perpendicular directions, half sine wave, 3 times each
Dropped naturally from 750mm height onto the surface of 10mm wooden board. 2 directions – upper and side of the part are applied
Samples put through reflowing soldering oven 2 times
Samples put on PCB with solder paste through reflowing soldering oven 1 times
For a period of one (1) year from date of manufacture under normal operations

Warranty

*All specifications must be satisfied after the test (Recovery:2 to 4 hrs of recovery under the standard condition after the removal from test chamber).

**90% min. soldering pads shall be with solder.(except the edge of pad)

Dimensions (Unit: mm)



All specifications are subject to change without notice

Composed by: Guo J/090629 Checked by: Gao CL,Gong YS,Zhu YC/090629 Approved by: Wang Z/090629



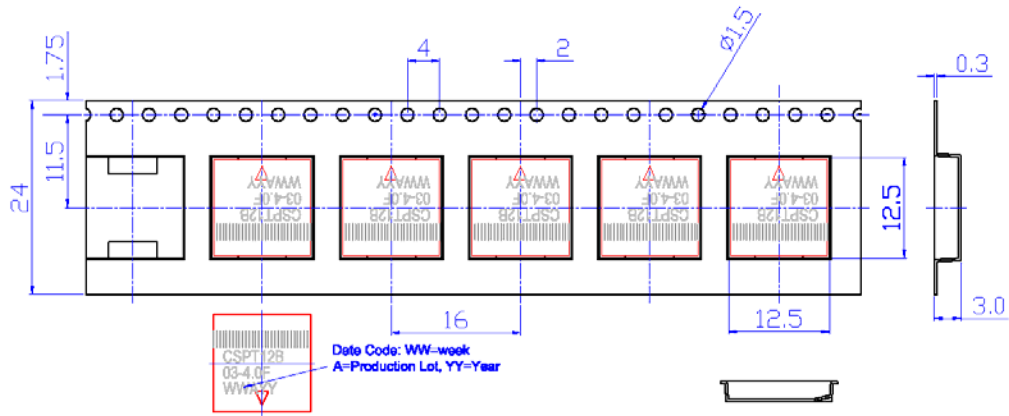
CHANGZHOU CHINASOUND ELECTRONICS CO., LTD.

Tel: +86-519-86182518 Fax: +86-519-86182519

http://www.chinasound.com

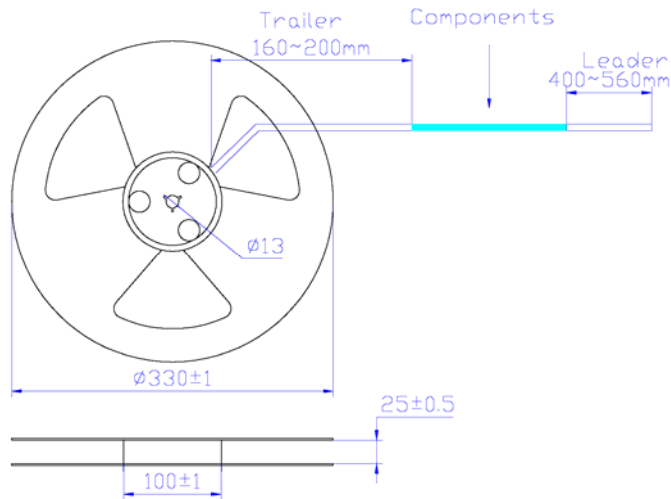
email: csound@jsmail.com.cn

Tape & Reel Dimensions (Unit:mm)

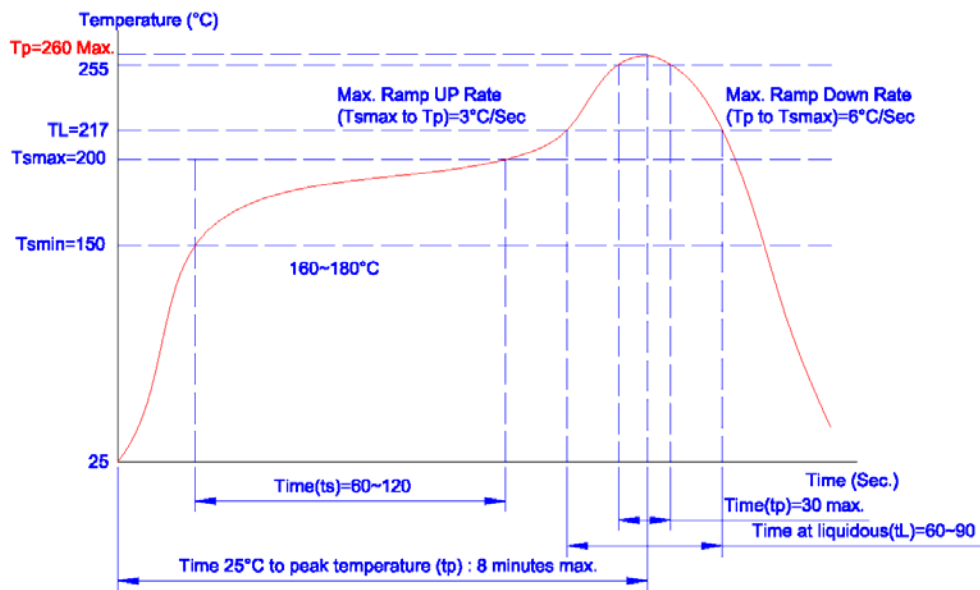


NOTE:

1. 10 sprocket hole pitch cumulative tolerance +/-0.20mm.
2. Carrier camber not to exceed 1 mm in 100 mm.
3. All dimensions meet EIA-481-2-A requirements.
4. Thickness: 0.40+/-0.05 mm.
5. Component loaded per 13" reel: 1000 pcs.



Recommend Reflowing Profile as per IPC/JEDEC J-STD-020D



All specifications are subject to change without notice

Composed by: Guo J/090629 Checked by: Gao CL, Gong YS, Zhu YC/090629 Approved by: Wang Z/090629

Revision History

Version Number	Description	Name
041215	Original RoHS compliant version, CSPT12B03-4.0F developed specially as per Roche's requirement to adjust height of CSPT12A03-4.0F from 3.0+/-0.2mm to 2.7+/-0.2mm to match their assembly space.	Guo Jun
060213	Change the specification format	Guo Jun
071024	Improve the mark on cover to prevent wrong packing direction in carrier	Gao Li
090629	Add flux layer on soldering terminals to improve the solderability of terminals if required by customer Recommended reflowing soldering profile is updated as per JEDEC J-STD-020D, Siemens required our CSPT17D12-4.0F to meet the last version standard.	Guo Jun

Composed by: Guo J/090629 Checked by: Gao CL,Gong YS,Zhu YC/090629 Approved by: Wang Z/090629

ChinaSound

CHANGZHOU CHINASOUND ELECTRONICS CO., LTD.

Tel: +86-519-86182518 Fax: +86-519-86182519

<http://www.chinasound.com>
email: csound@jmail.com.cn