

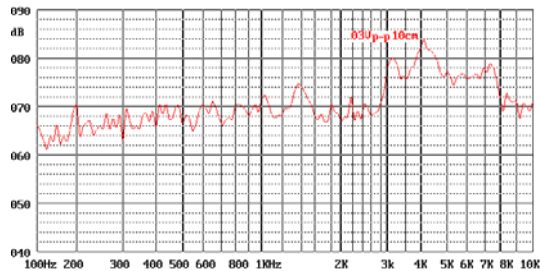
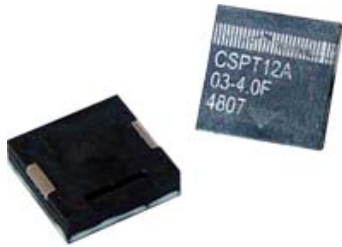
**Description**

Chinasound SMD Piezo Transducer 12mm length, type A(=12mm width,3.0mm height) , 3Vp-p rated voltage – 4.0KHz resonant frequency, lead Free reflowing solderable and RoHS compliant

◆ **RoHS compliant**

- ◆ Reliable Solid State Piezoelectric Technology
- ◆ Corrosion Resistance Diaphragm
- ◆ Flame Retardant Plastic
- ◆ Tape and reel packaging for auto mounting

**Picture**



**Characteristics**

**Specification**

- Operating Voltage
- Operating Frequency
- Typical Sound Output
- Typ. Operating Current
- Capacitance
- Operating Temp.
- Storage Temperature
- Termination
- Construction Materials
- Weight (Typical)
- Reliability

- Description
- Case
- Diaphragm

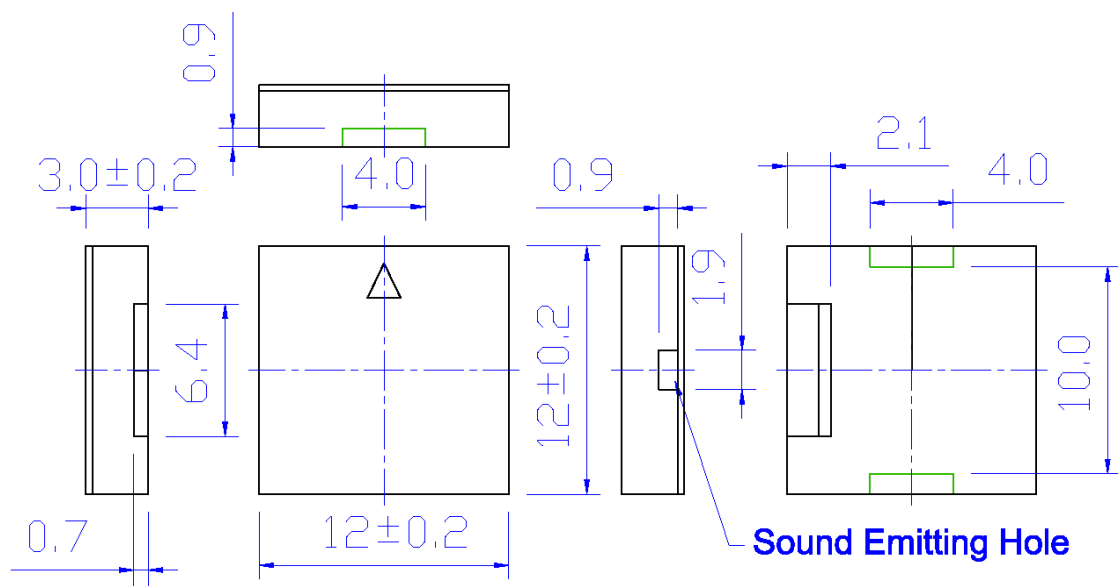
- \*Life Test
- \*High Temperature
- \*Low Temperature
- \*Humidity
- \*Thermal Shock
- \*Vibration
- \*Shock
- \*Drop Test
- \*Soldering Heat Resistance
- \*\*Solderability

20 Vp-p max.  
 4000+/-500Hz  
 75dB min. at 3Vp-p 10cm 4KHz 25°C  
 1mA at 3Vp-p  
 15000+/-30% pF at 100Hz 1Vrms  
 -40°C to +105°C  
 -40°C to +120°C  
 2 soldering pads, Sn plated Brass  
 Plastic, LCP Vectra E130i or equal  
 Ni Alloy Disc N42 or equal  
 0.8g  
 At 3 Vp-p, 1 minutes ON 1 minutes OFF in room temperature continuously for 1000 hours  
 No function at +120+/-2°C for 240 hours; Function at +105+/-2°C for 240 hours  
 No function at -40+/-2°C for 240 hours; Function at -40+/-2°C for 240 hours  
 +40+/-2°C, 95+/-5%RH, 240 hours  
 -40+/-2°C 0.5 hr → +25+/-2°C 0.25 hr → +105+/-2°C 0.5 hr → +25+/-2°C 0.25 hr. Temperature Go up or Drop time is 0.5 hr. 3 hrs per 1 cycle. Total is 5 cycles  
 1.5mm with 10 to 50Hz of vibration frequency to each of 3 perpendicular directions for 2 hours  
 980m/s<sup>2</sup> (=100g) shock for each mutually perpendicular directions, half sine wave, 3 times each  
 Dropped naturally from 750mm height onto the surface of 10mm wooden board. 2 directions – upper and side of the part are applied  
 Samples put through reflowing soldering oven 2 twice  
 Samples put on PCB with solder paste through reflowing soldering oven 1 times  
 For a period of one (1) year from date of manufacture under normal operations

**Warranty**

\*All specifications must be satisfied after the test (Recovery:2 to 4 hrs of recovery under the standard condition after the removal from test chamber).  
 \*\*90% min. soldering pads shall be with solder.(except the edge of pad)

**Dimensions** (Unit:mm, Tolerance: ±0.3mm)



All specifications are subject to change without notice

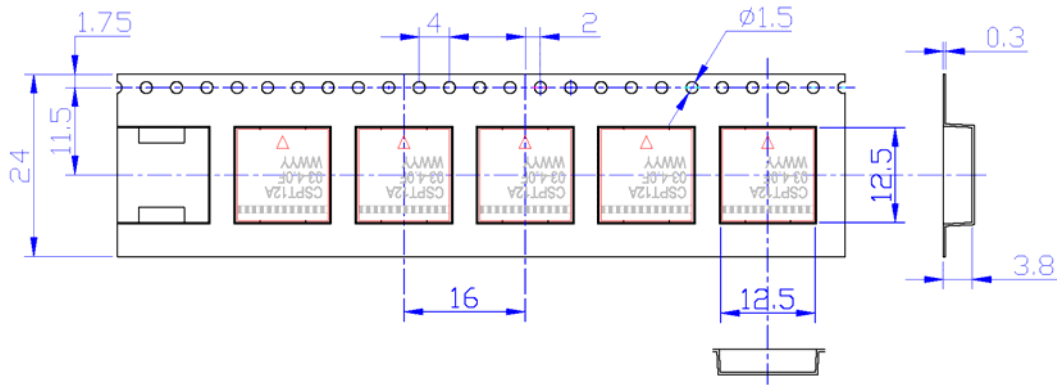
Composed by: Guo J/090513 Checked by: Gao CL, Gong YS, Zhu YC/090513 Approved by: Wang Z/090513



CHANGZHOU CHINASOUND ELECTRONICS CO., LTD.

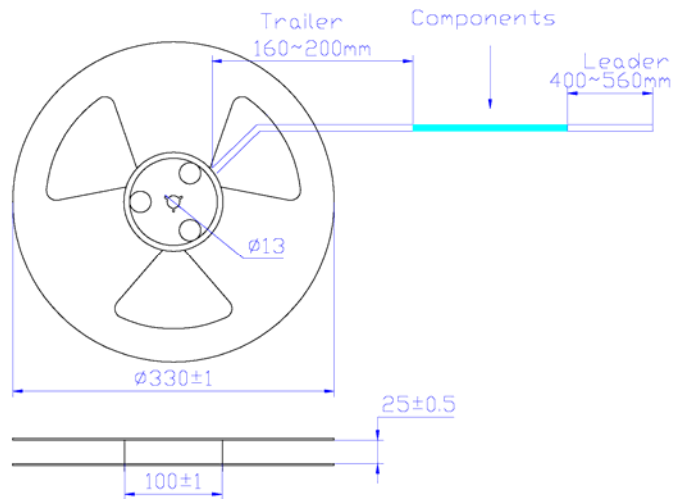
Tel: +86-519-86182518 Fax: +86-519-86182519  
<http://www.chinasound.com>  
 email: csound@jsmail.com.cn

**Tape & Reel Dimensions (Unit:mm)**

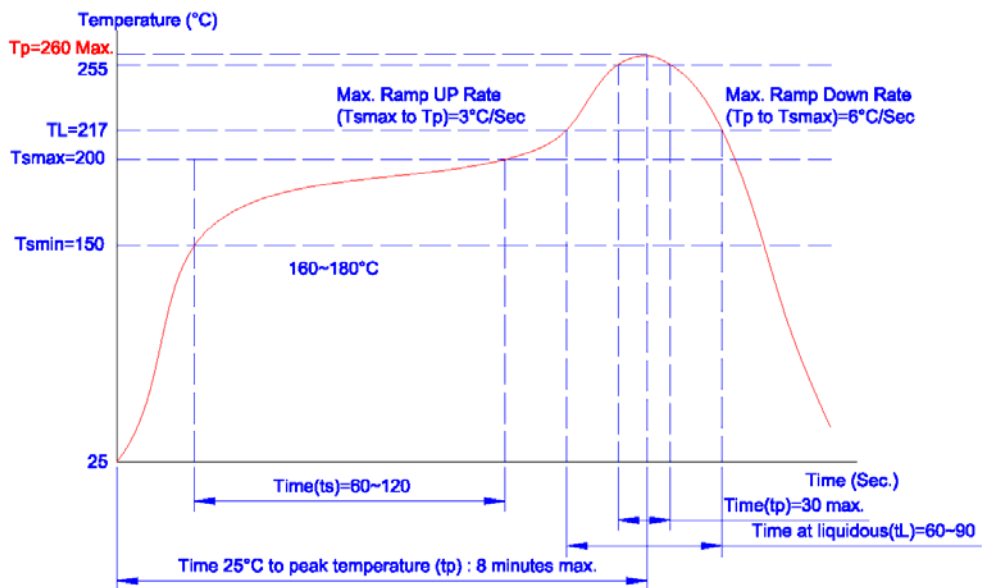


**NOTE:**

1. 10 sprocket hole pitch cumulative tolerance +/-0.20mm.
2. Carrier camber not to exceed 1 mm in 100 mm.
3. All dimensions meet EIA-481-2-A requirements.
4. Thickness: 0.40+/-0.05 mm.
5. Component loaded per 13" reel: 1000 pcs.



**Recommend Reflowing Profile** as per IPC/JEDEC J-STD-020D



All specifications are subject to change without notice

Composed by: Guo J/090513 Checked by: Gao CL, Gong YS, Zhu YC/090513 Approved by: Wang Z/090513

## Revision History

Version Number	Description	Name
040223	Original, CSPT12A03-4.0	Guo Jun
040825	Change to RoHS compliant version, CSPT12A03-4.0F	Guo Jun
050309	Add Recommend Reflowing Profile	Guo Jun
061214	New specification format	Gao Li
090513	Recommended reflowing soldering profile is updated as per JEDEC J-STD-020D	Guo Jun

Composed by: Guo J/090513    Checked by: Gao CL, Gong YS, Zhu YC/090513    Approved by: Wang Z/090513

**ChinaSound**

**CHANGZHOU CHINASOUND ELECTRONICS CO., LTD.**

Tel: +86-519-86182518    Fax: +86-519-86182519

<http://www.chinasound.com>  
email: csound@jsmail.com.cn