

Description

Chinasound SMD Piezo Buzzer 14.3(<15mm) length, type B(=14.3mm width, 7.2mm height), 12VDC rated voltage – 4.0KHz resonant frequency – lead Free reflowing solderable and RoHS compliant

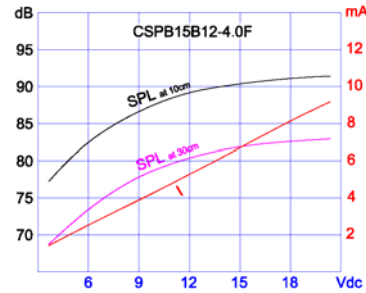
◆ **RoHS compliant**

- ◆ Reliable Solid State Piezoelectric Technology
- ◆ Corrosion Resistance Diaphragm
- ◆ Flame Retardant Plastic

Picture



Characteristics



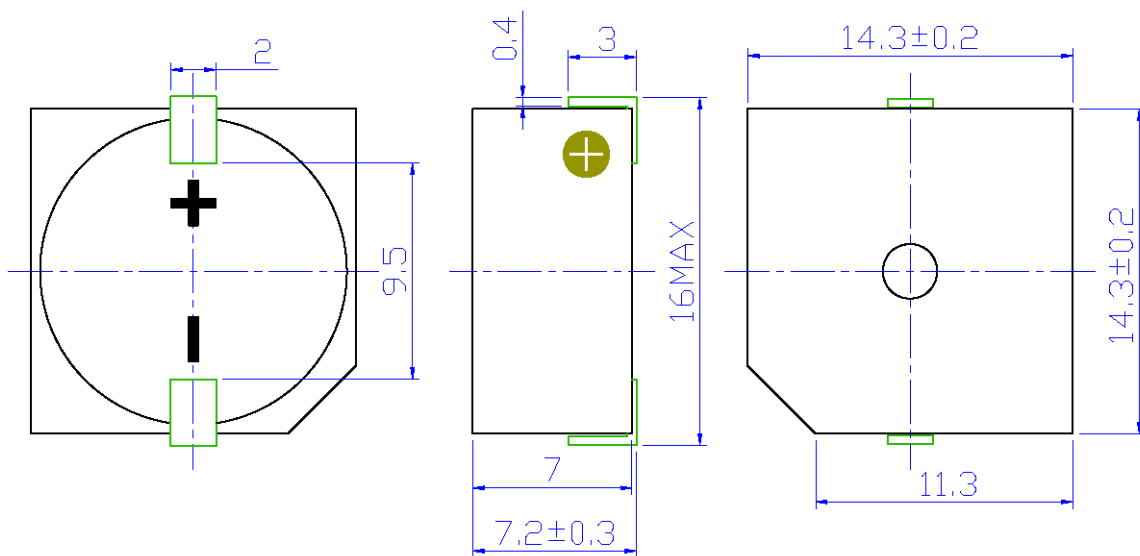
Specification

Rated Voltage		12 VDC
Operating Voltage		3-16VDC
Operating Frequency		4,000+/-500Hz
Typical Sound Output		90dB min. at 12VDC 10cm 25 °C
Typ. Operating Current		8mA max. at 12VDC
Operating Temperature		-40 °C to +85 °C
Storage Temperature		-40 °C to +90 °C
Termination	Description	2 soldering pads, Sn plated Brass
Construction Materials	Case	Plastic, LCP Vectra E130i made by Polyplastics, UL 94-V0 (UL No.:E106764)
	Diaphragm	Ni Alloy Disc N42
Weight (Typical)		1.6g
Reliability	*Life Test	At 12VDC in room temperature continuously for 1000 hours
	*High Temperature	No function at +90+/-2 °C for 240 hours; Function at +85+/-2 °C for 240 hours
	*Low Temperature	No function at -40+/-2 °C for 240 hours; Function at -30+/-2 °C for 240 hours
	*Humidity	+40+/-2 °C, 95+/-5%RH, 240 hours
	*Thermal Shock	-40+/-2 °C 0.5 hr → +25+/-2 °C 0.25 hr → +85+/-2 °C 0.5 hr → +25+/-2 °C 0.25 hr. Temperature Go up or Drop time is 0.5 hr. 3 hrs per 1 cycle. Total is 5 cycles
	*Vibration	1.5mm with 10 to 50Hz of vibration frequency to each of 3 perpendicular directions for 2 hours
	*Shock	980m/s ² (=100g) shock for each mutually perpendicular directions, half sine wave, 3 times each
	*Drop Test	Dropped naturally from 750mm height onto the surface of 10mm wooden board. 2 directions – upper and side of the part are applied
	*Soldering Heat Resistance	Samples put through reflowing soldering oven 2 twice
	**Solderability	Samples put on PCB with solder paste through reflowing soldering oven 1 times

Warranty

*All specifications must be satisfied after the test (Recovery:2 to 4 hrs of recovery under the standard condition after the removal from test chamber).
 **90% min. soldering pads shall be with solder.(except the edge of pad)

Dimensions (Unit:mm)



All specifications are subject to change without notice

Composed by: Guo J/090624 Checked by: Gong YS, Zhu YC/090624 Approved by: Wang Z/090624



CHANGZHOU CHINASOUND ELECTRONICS CO., LTD.

Tel: +86-519-86182518 Fax: 86182519

<http://www.chinasound.com>

email: csound@jmail.com.cn

Revision History

Version Number	Description	Name
090116	Original, CSPB15B12-4.0F	Guo Jun
090624	Update recommend reflowing profile as per J-STD-020D	Guo Jun

Composed by: Guo J/090624 Checked by: Gong YS, Zhu YC/090624 Approved by: Wang Z/090624



CHANGZHOU CHINASOUND ELECTRONICS CO., LTD.

Tel: +86-519-86182518 Fax: 86182519

<http://www.chinasound.com>
email: csound@jmail.com.cn