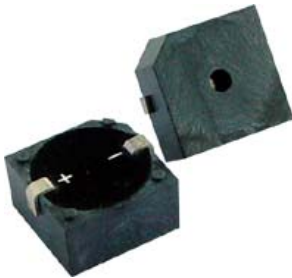


**Description**

Chinasound SMD Piezo Buzzer 14.3(<15mm) length, type A(=14.3mm width,8.0mm height), 5VDC rated voltage – 4.0KHz resonant frequency – lead Free reflowing solderable and RoHS compliant

- ◆ RoHS compliant
- ◆ Reliable Solid State Piezoelectric Technology
- ◆ Corrosion Resistance Diaphragm
- ◆ Flame Retardant Plastic UL 94-V0

**Picture**



**Characteristics**



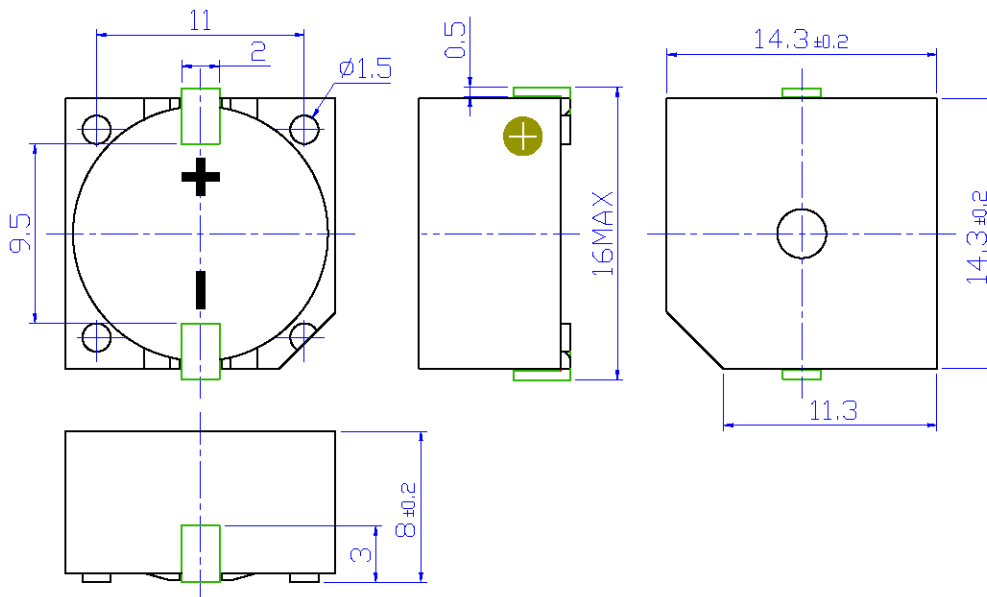
**Specification**

Rated Voltage	5 VDC
Operating Voltage	3-16VDC
Operating Frequency	4000+/-500Hz
Typical Sound Output	85dB min. at 5VDC 10cm 25 °C
Typ. Operating Current	8mA max. at 5VDC
Operating Temperature	-40 °C to +85 °C
Storage Temperature	-40 °C to +90 °C
Termination	2 soldering pads, Sn plated Brass
Construction Materials	Case: Plastic, LCP Vectra E130i made by Polyplastics, UL 94-V0 (UL No.:E106764) Diaphragm: Ni Alloy Disc N42
Weight (Typical)	1.6g
Reliability	<ul style="list-style-type: none"> <li>*Life Test: At 5VDC in room temperature continuously for 1000 hours</li> <li>*High Temperature: No function at +90+/-2 °C for 240 hours; Function at +85+/-2 °C for 240 hours</li> <li>*Low Temperature: No function at -40+/-2 °C for 240 hours; Function at -30+/-2 °C for 240 hours</li> <li>*Humidity: +40+/-2 °C, 95+/-5%RH, 240 hours</li> <li>*Thermal Shock: -40+/-2 °C 0.5 hr → +25+/-2 °C 0.25 hr → +85+/-2 °C 0.5 hr → +25+/-2 °C 0.25 hr. Temperature Go up or Drop time is 0.5 hr. 3 hrs per 1 cycle. Total is 5 cycles</li> <li>*Vibration: 1.5mm with 10 to 50Hz of vibration frequency to each of 3 perpendicular directions for 2 hours</li> <li>*Shock: 980m/s<sup>2</sup> (=100g) shock for each mutually perpendicular directions, half sine wave, 3 times each</li> <li>*Drop Test: Dropped naturally from 750mm height onto the surface of 10mm wooden board. 2 directions – upper and side of the part are applied</li> <li>*Soldering Heat Resistance: Samples put through reflowing soldering oven 2 twice</li> <li>**Solderability: Samples put on PCB with solder paste through reflowing soldering oven 1 times</li> </ul>

**Warranty**

\*All specifications must be satisfied after the test (Recovery:2 to 4 hrs of recovery under the standard condition after the removal from test chamber).  
\*\*90% min. soldering pads shall be with solder.(except the edge of pad)

**Dimensions (Unit:mm)**



All specifications are subject to change without notice

Composed by: Guo J/090624 Checked by: Gong YS, Zhu YC/090624 Approved by: Wang Z/090624



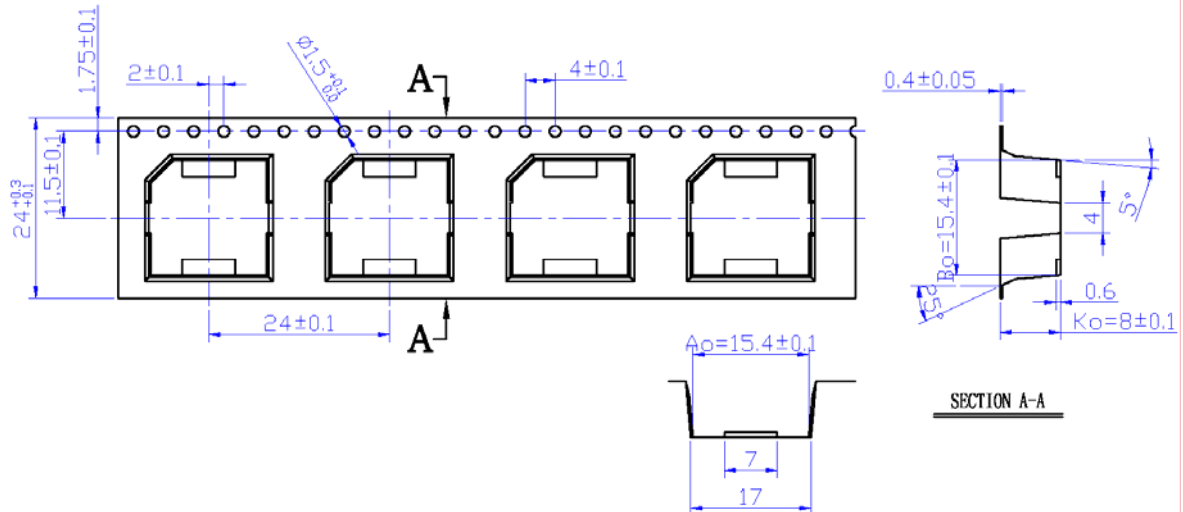
CHANGZHOU CHINASOUND ELECTRONICS CO., LTD.

Tel: +86-519-6182518 Fax: +86-519-6182519

http://www.chinasound.com

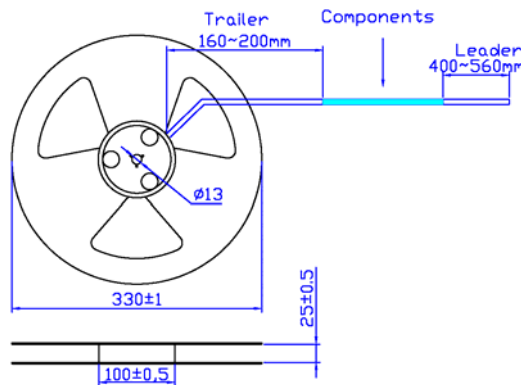
email: csound@jsmail.com.cn

**Tape & Reel Dimensions** (Unit:mm)

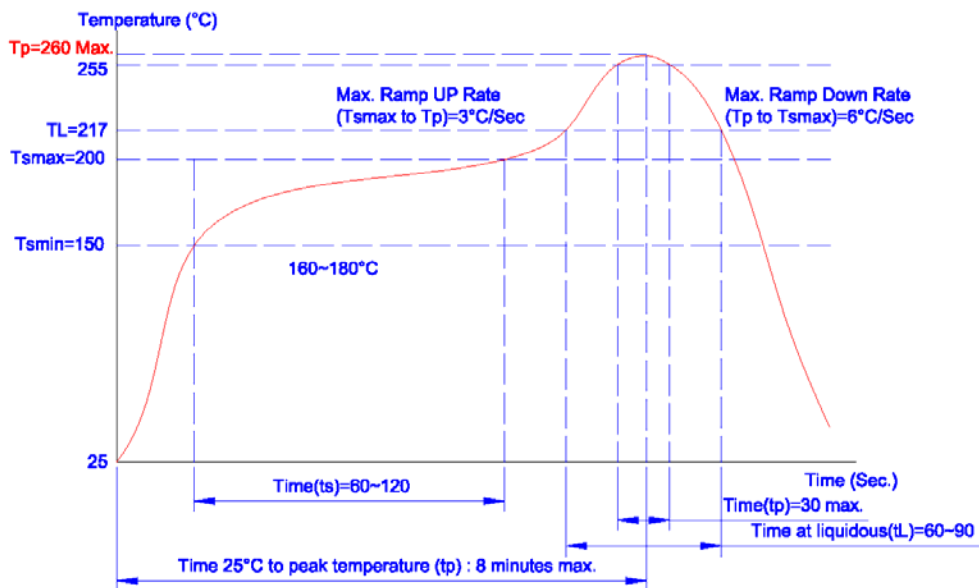


**NOTE:**

1. 10 sprocket holes pitch cumulative tolerance  $\pm 0.20$ mm.
2. Carrier camber not to exceed 1 mm in 100 mm.
3.  $Ao$  &  $Bo$  measured on a place 0.3mm above the bottom of the pocket
4.  $Ko$  measured from a plane on the inside bottom of pocket to the top surface of the carrier.
5. All dimensions meet EIA-481-2-A requirements.
6. Component loaded per 13" reel: 350 pcs.



**Recommend Reflowing Profile** as per IPC/JEDEC J-STD-020D



All specifications are subject to change without notice

Composed by: Guo J/090624 Checked by: Gong YS, Zhu YC/090624 Approved by: Wang Z/090624

**ChinaSound**

**CHANGZHOU CHINASOUND ELECTRONICS CO., LTD.**

Tel: +86-519-6182518 Fax: +86-519-6182519

<http://www.chinasound.com>

email: [csound@jsmail.com.cn](mailto:csound@jsmail.com.cn)

**Revision History**

Version Number	Description	Name
060208	Original, CSPB15A05-4.0F	Guo Jun
090624	Update recommend reflowing profile as per J-STD-020D	Guo Jun

Composed by: Guo J/090624    Checked by: Gong YS, Zhu YC/090624    Approved by: Wang Z/090624

**ChinaSound**

**CHANGZHOU CHINASOUND ELECTRONICS CO., LTD.**

Tel: +86-519-6182518    Fax: +86-519-6182519

<http://www.chinasound.com>

email: [csound@jsmail.com.cn](mailto:csound@jsmail.com.cn)