

**Description**

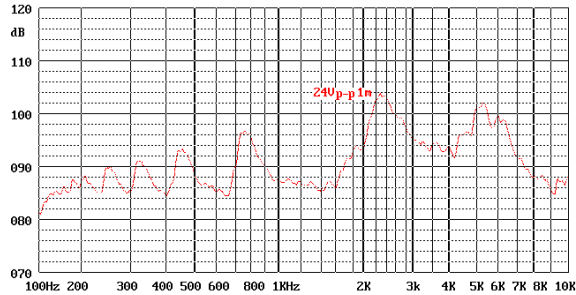
Chinasound Rocking armature Transducer 24mm diameter, type C (=15.6 mm height, one top fire sound hole), 24Vp-p rated voltage – 25 ohm coil resistance – 2.2 KHz resonant frequency, RoHS compliant

- ◆ RoHS complaint
- ◆ Small size
- ◆ Flame Retardant Plastic
- ◆ Washable if top sealed with Label

**Picture**



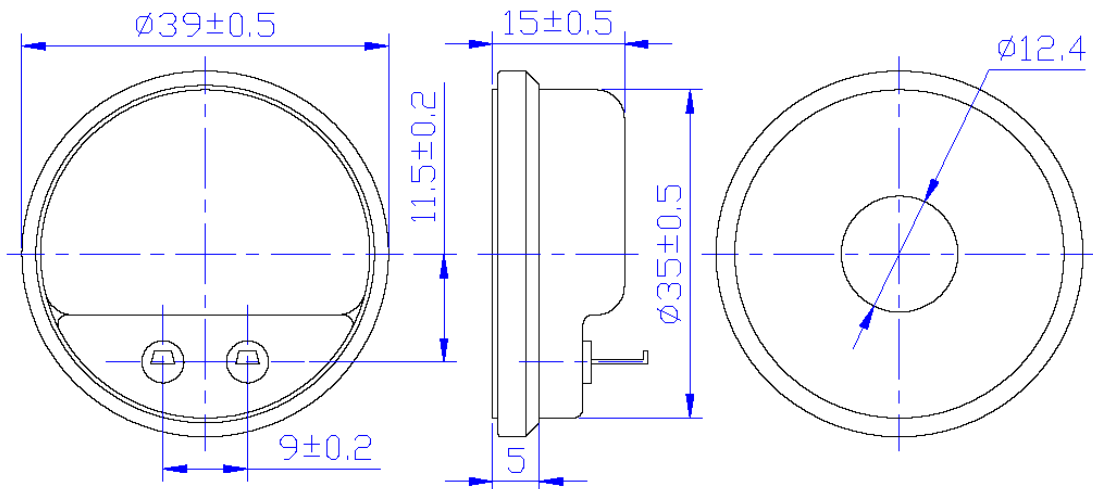
**Frequency Response Curve**



**Specification**

Rated Voltage	24 Vp-p square wave
Coil Resistance	25+/-3 ohm
Sound Output	98 dB min. at 24 Vp-p square wave, 100cm, fo
Operating Frequency	2200+/-500Hz
Operating Temperature	-20°C to +60 °C
Storage Temperature	-30°C to +70 °C
Termination	Description Molex 43645 connector or equal
Construction Materials	Case Aluminum
	Diaphragm Aluminum
Weight (Typical)	21 g
Reliability	*Life Test At 24 Vp-p in room temperature, 1 minute ON and 4 minutes OFF, continuously for 1000 hours
	*High Temperature no function at +70 +/-2 °C for 96 hours, function at +60+/-2 °C for 96 hours,
	*Low Temperature no function at -30+/-2 °C for 96 hours, function at -20+/-2 °C for 96 hours,
	*Humidity +40+/-2°C, 90 ~ 95% R.H. for 48hrs
	*Thermal Shock -20+/-2 °C, 30min→+20 °C,15min,→+60+/-2 °C, 30min→+20 °C,15min, 5 cycles
	*Vibration 1.5mm with 10 to 50Hz of vibration frequency to each of 3 perpendicular direction for 2 hrs
	*Shock 98m/s <sup>2</sup> (=10g) shock for each mutually perpendicular directions, half sine wave, 3 times each
	*Soldering Heat Resistance Pins are immersed up to 1.5mm from sounder's body in solder bath of 350+/-5 °C for 3+/-0.5 seconds or 260+/-5 °C for 10+/-1 seconds
	**Solderability Lead terminals are immersed in rosin for 5 seconds and then immersed in solder bath of 350+/-5 °C for 3+/-0.5 seconds.
Warranty	For a period of one (1) year from date of manufacture under normal operations
	* All specifications must be satisfied after the test (Recovery:2 to 4 hrs of recovery under the standard condition after the removal from test chamber).
	**90% min. soldering pads shall be with solder.(except the edge of pad)

**Dimensions ( Unit: mm )**



All specifications are subject to change without notice

Composed by: Guo J/041213 Checked by: Gong YS, Zhu YC/041213 Approved by: Wang Z/041213



CHANGZHOU CHINASOUND ELECTRONICS CO., LTD.

Tel: +86-519-86182518 Fax: 86182519

<http://www.chinasound.com>

email: csound@jsmail.com.cn

## Revisions History

Version Number	Description	Name
990319	Original, CRT39C24-25-2.2	Guo Jun
041213	Switched to RoHS compliant version, CRT39C24-25-2.2R	Guo Jun

Composed by: Guo J/041213    Checked by: Gong YS, Zhu YC/041213    Approved by: Wang Z/041213

**ChinaSound**

**CHANGZHOU CHINASOUND ELECTRONICS CO., LTD.**

Tel: +86-519-86182518    Fax: 86182519

<http://www.chinasound.com>  
email: csound@jsmail.com.cn