

Description

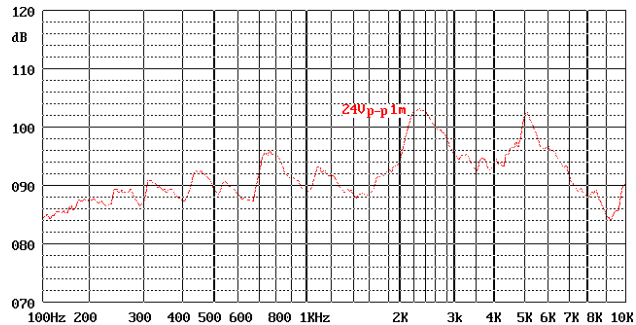
Chinasound Rocking armature Transducer 46.5mm diameter, type C (=15.6 mm height, one top fire sound hole), 24Vp-p rated voltage – 18 ohm coil resistance – 2.2 KHz resonant frequency, -C connector 17(= molex 43645 cross) Wire length 90mm, RoHS compliant

- ◆ RoHS complaint
- ◆ Small size
- ◆ Flame Retardant Plastic
- ◆ Washable if top sealed with Label

Picture



Frequency Response Curve



Specification

Rated Voltage

24 Vp-p square wave

Coil Resistance

10+/-2 ohm

Sound Output

98 dB min. at 24 Vp-p square wave, 100cm, fo

Operating Frequency

2200+/-500Hz

Operating Temperature

-20°C to +60 °C

Storage Temperature

-30°C to +70 °C

Termination

Description

Molex 43645 connector or equal

Construction Materials

Case

Aluminum

Diaphragm

Aluminum

Weight (Typical)

29.8 g

Reliability

*Life Test

At 24 Vp-p in room temperature, 1 minute ON and 4 minutes OFF, continuously for 1000 hours

*High Temperature

no function at +70 +/-2°C for 96 hours, function at +60+/-2°C for 96 hours,

*Low Temperature

no function at -30+/-2°C for 96 hours, function at -20+/-2°C for 96 hours,

*Humidity

+40+/-2°C, 90 ~ 95% R.H. for 48hrs

*Thermal Shock

-20+/-2°C, 30min->+20°C,15min,->+60+/-2°C, 30min->+20°C,15min, 5 cycles

*Vibration

1.5mm with 10 to 50Hz of vibration frequency to each of 3 perpendicular direction for 2 hrs

*Shock

98m/s² (=10g) shock for each mutually perpendicular directions, half sine wave, 3 times each

*Soldering Heat Resistance

Pins are immersed up to 1.5mm from sounder's body in solder bath of 350+/-5°C for 3+/-0.5 seconds or 260+/-5°C for 10+/-1 seconds

**Solderability

Lead terminals are immersed in rosin for 5 seconds and then immersed in solder bath of 350+/-5°C for 3+/-0.5 seconds.

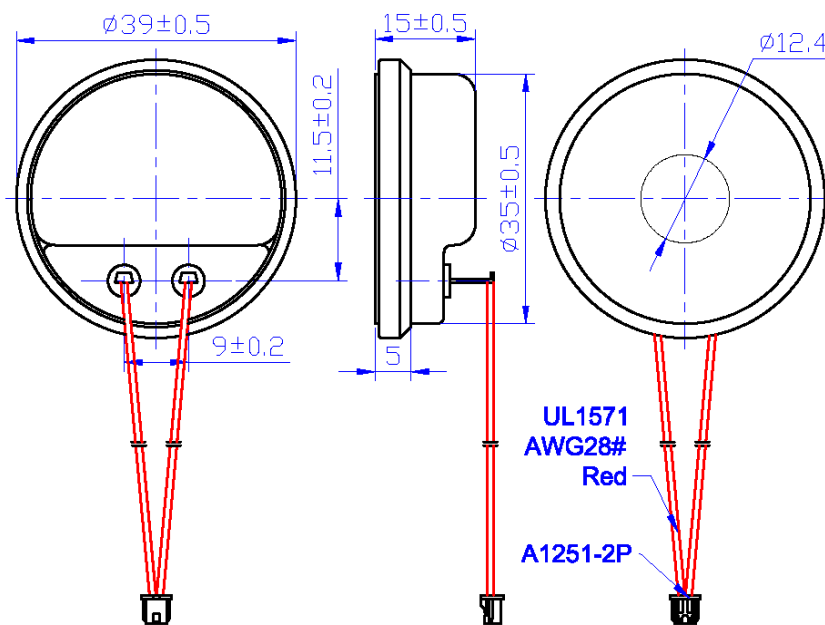
Warranty

For a period of one (1) year from date of manufacture under normal operations

* All specifications must be satisfied after the test (Recovery:2 to 4 hrs of recovery under the standard condition after the removal from test chamber).

**90% min. soldering pads shall be with solder.(except the edge of pad)

Dimensions (Unit: mm)



All specifications are subject to change without notice

Composed by: Guo J/060815 Checked by: Gong YS, Zhu YC/060815 Approved by: Wang Z/060815



CHANGZHOU CHINASOUND ELECTRONICS CO., LTD.

Tel: +86-519-86182518 Fax: 86182519

http://www.chinasound.com

email: csound@jsmail.com.cn

Revisions History

Version Number	Description	Name
990319	Original, CRT39C24-10-2.2	Guo Jun
060815	Switched to RoHS compliant version, CRT39C24-10-2.2-C09W105R	Guo Jun

Composed by: Guo J/060815 Checked by: Gong YS, Zhu YC/060815 Approved by: Wang Z/060815

ChinaSound

CHANGZHOU CHINASOUND ELECTRONICS CO., LTD.

Tel: +86-519-86182518 Fax: 86182519

<http://www.chinasound.com>
email: csound@jmail.com.cn