

**Description**

Chinasound Piezo Transducer 40mm diameter, type A(=20mm height), 18Vp-p rated voltage – 3.1KHz resonant frequency, RoHS compliant

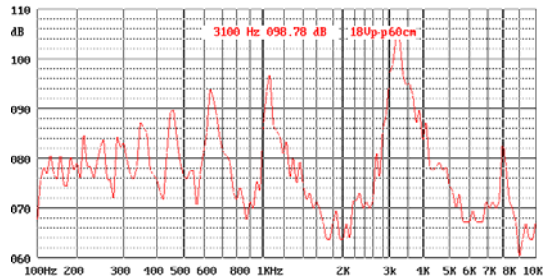
◆ **RoHS compliant**

- ◆ Reliable Solid State Piezoelectric Technology
- ◆ Corrosion Resistance Diaphragm
- ◆ Flame Retardant Plastic

**Picture**



**Characteristics**



**Specification**

- Operating Voltage
- Rated Voltage
- Operating Frequency
- Typical Sound Output
- Typ. Operating Current
- Capacitance
- Operating Temp.
- Storage Temperature
- Termination
- Construction Materials

- Description
- Case
- Diaphragm

- Weight (Typical)
- Reliability

- \*Life Test
- \*High Temperature
- \*Low Temperature
- \*Humidity
- \*Thermal Shock
- \*Vibration
- \*Shock
- \*Drop Test

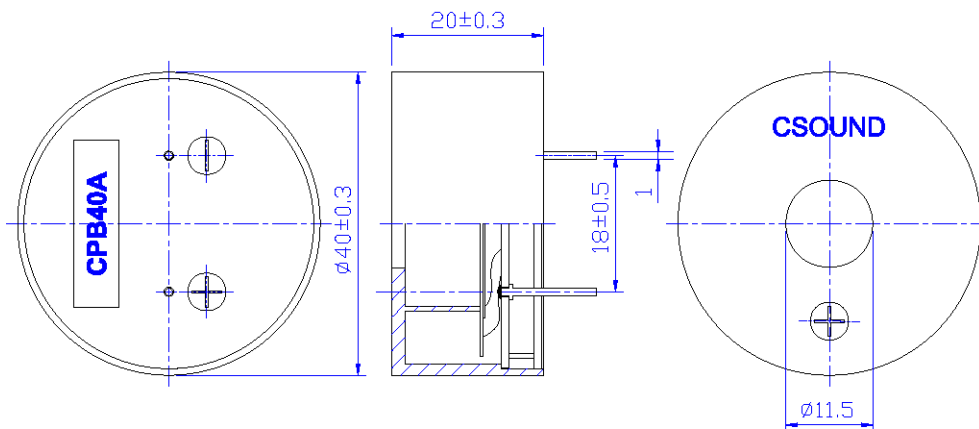
- \*Soldering Heat Resistance
- \*\*Solderability

3 to 30 Vp-p  
 18 Vp-p  
 3100+/-500Hz  
 95dB min. at 18Vp-p 60cm 3.1KHz 25 °C; 75dB min. at 18Vp-p 60cm 1KHz 25 °C  
 10mA at 18Vp-p 3.1KHz 25 °C; 6mA at 18Vp-p 1KHz 25 °C  
 30,000+/-30% pF at 100Hz 1Vrms  
 -40 °C to +70 °C  
 -55 °C to +85 °C  
 2 PC pins, electro-tin plated brass  
 Maximum of 9.8N load pull test  
 Plastic, NORYL® PX9406 Black  
 12g  
 At 18Vp-p, room temperature continuously for 1000 hours  
 No function at +85+/-2 °C for 240 hours; Function at +70+/-2 °C for 240 hours  
 No function at -55+/-2 °C for 240 hours; Function at -40+/-2 °C for 240 hours  
 +40+/-2 °C, 95+/-5%RH, 240 hours  
 -40+/-2 °C 0.5 hr → +25+/-2 °C 0.25 hr → +70+/-2 °C 0.5 hr → +25+/-2 °C 0.25 hr. Temperature Go up or Drop time is 0.5 hr. 3 hrs per 1 cycle. Total is 5 cycles  
 1.5mm with 10 to 50Hz of vibration frequency to each of 3 perpendicular directions for 2 hours  
 980m/s<sup>2</sup>(=100g) shock for each mutually perpendicular directions, half sine wave, 3 times each  
 Dropped naturally from 750mm height onto the surface of 10mm wooden board. 2 directions – upper and side of the part are applied  
 Samples put through reflowing soldering oven 2 twice  
 Samples put on PCB with solder paste through reflowing soldering oven 1 times  
 For a period of one (1) year from date of manufacture under normal operations

**Warranty**

\*All specifications must be satisfied after the test (Recovery:2 to 4 hrs of recovery under the standard condition after the removal from test chamber).  
 \*\*90% min. soldering pads shall be with solder.(except the edge of pad)

**Dimensions** (Unit:mm, Tolerance: ± 0.3mm)



All specifications are subject to change without notice

Composed by: Guo J/090801 Checked by: Gao CL, Gong YS, Zhu YC/090803 Approved by: Wang Z/090803



CHANGZHOU CHINASOUND ELECTRONICS CO., LTD.

Tel: +86-519-86182518 Fax: +86-519-86182519

http://www.chinasound.com

email: csound@jsmail.com.cn

**Revision History**

Version Number	Description	Name
090801	Original, CPT40A18-3.1R	Guo Jun