

**Description**

Chinasound Piezo Transducer 30mm diameter, type F (=8 mm height), 16 Vo-p rated voltage -3.0 KHz resonant frequency RoHS compliant

◆ RoHS compliant

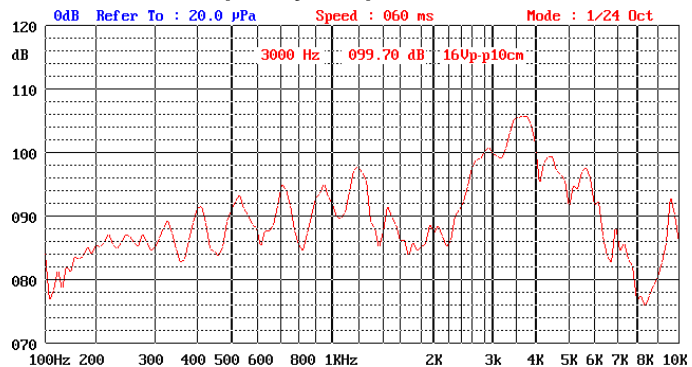
◆ Reliable Solid State Piezoelectric Technology

◆ Flame Retardant Plastic

**Picture**



**Frequency Response Curve**



**Specification**

- Rated Voltage
- Operating Voltage
- Operating Frequency
- Typical Sound Output
- Rated Current
- Capacitance
- Operating Temp.
- Storage Temperature
- Termination

**Construction Materials**

- Weight (Typical)
- Reliability

- Description
- Termination Strength
- Case
- Diaphragm

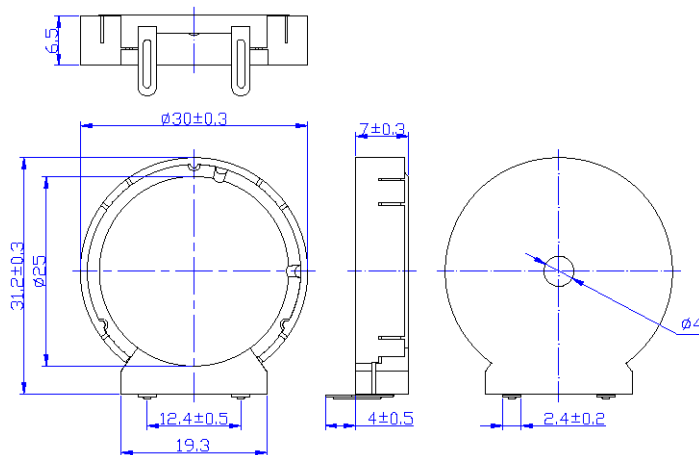
- \*Life Test
- \*High Temperature
- \*Low Temperature
- \*Humidity
- \*Thermal Shock
- \*Vibration
- \*Shock
- \*Drop Test
- \*Soldering Heat Resistance
- \*\*Solderability

16 Vo-p square wave  
 1 ~ 30 Vp-p  
 3,000+/-500Hz  
 98 dB min. at 16 Vp-p 10cm 3.0KHz 25 °C  
 5 mA max. at 16Vp-p 3.0 KHz 25 °C  
 35,000+/-30% pF at 100Hz 1Vrms  
 -20 °C to +60 °C  
 -30°C to +70°C  
 2 Pins, Sn plated Brass 62  
 Maximum of 9.8N load pull test, applied to each terminal in axial direction for 10 seconds  
 Plastic, Housing MPPO GF20; Bottom MPPO GF20  
 Brass Disc  
 4.9g  
 At 16 Vo-p in room temperature, continuously for 1000 hours  
 No function at +90+/-2 °C for 240 hours; Function at +85+/-2 °C for 240 hours  
 No function at -40+/-2 °C for 240 hours; Function at -30+/-2 °C for 240 hours  
 +40+/-2 °C, 95+/-5%RH, 240 hours  
 -30+/-2 °C 0.5 hr → +25+/-2 °C 0.25 hr → +105+/-2 °C 0.5 hr → +25+/-2 °C 0.25 hr. Temperature Go up or Drop time is 0.5 hr. 3 hrs per 1 cycle. Total is 5 cycles  
 1.5mm with 10 to 50Hz of vibration frequency to each of 3 perpendicular directions for 2 hours  
 980m/s<sup>2</sup> (=100g) shock for each mutually perpendicular directions, half sine wave, 3 times each  
 Dropped naturally from 750mm height onto the surface of 10mm wooden board. 2 directions – upper and side of the part are applied  
 Pins are immersed up to 1.5mm from sounder's body in solder bath of 350+/-5 °C for 3+/-0.5 seconds or 260+/-5 °C for 10+/-1 seconds  
 Lead terminals are immersed in rosin for 5 seconds and then immersed in solder bath of 350+/-5 °C for 3+/-0.5 seconds.

**Warranty**

For a period of one (1) year from date of manufacture under normal operations  
 \* All specifications must be satisfied after the test (Recovery:2 to 4 hrs of recovery under the standard condition after the removal from test chamber).  
 \*\*90% min. soldering pads shall be with solder.(except the edge of pad)

**Dimensions (Unit:mm)**



All specifications are subject to change without notice

Composed by: Gao CL/090710 Checked by: Guo J, Gong YS, Zhu YC/090710 Approved by: Wang Zhen/090710



CHANGZHOU CHINASOUND ELECTRONICS CO., LTD.  
 Tel: +86-519-86182518 Fax: 86182519  
<http://www.chinasound.com>  
 email: csound@jmail.com.cn

**Revision History**

Version Number	Description	Name
090710	Original	Gao Chunli