

Description

Chinasound Piezo Transducer 30mm diameter, type E(=5.0mm height), 10Vp-p rated voltage – 4.5KHz resonant frequency – Wire length 110mm, RoHS compliant

◆ RoHS compliant

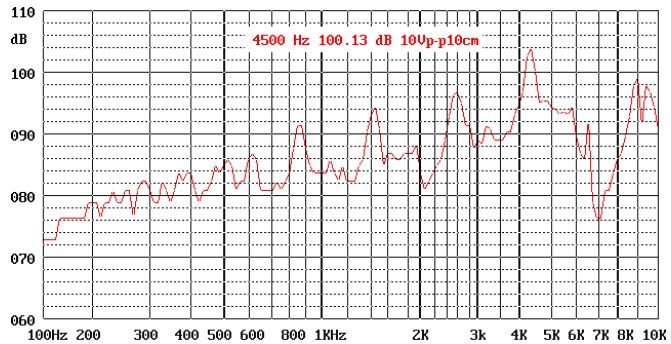
◆ Reliable Solid State Piezoelectric Technology

◆ Flame Retardant Plastic

Picture



Frequency Response Curve



Specification

Rated Voltage
Operating Voltage
Operating Frequency
Typical Sound Output
Rated Current
Capacitance
Operating Temp.
Storage Temperature
Termination

Construction Materials

Weight (Typical)
Reliability

Description
Termination Strength
Case
Diaphragm

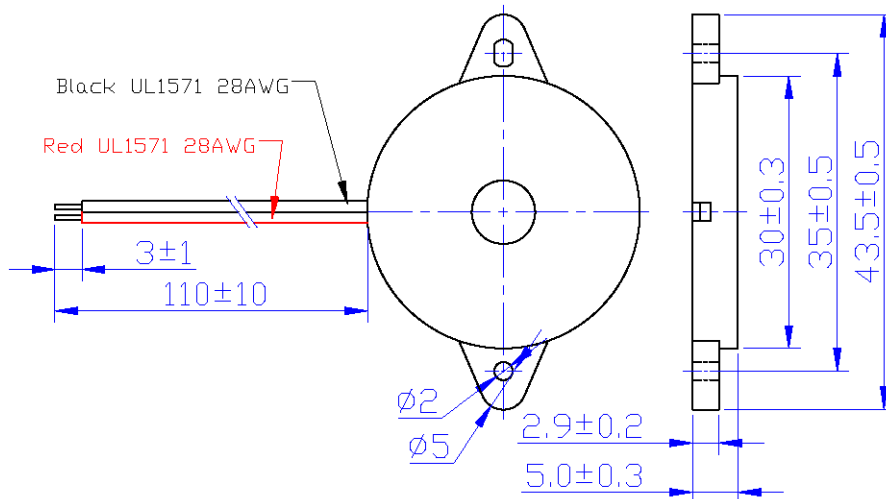
*Life Test
*High Temperature
*Low Temperature
*Humidity
*Thermal Shock
*Vibration
*Shock
*Drop Test
*Soldering Heat Resistance
**Solderability

10 Vp-p square wave
1 ~ 50 Vp-p
4,500+/-500Hz
97dB min. at 10Vp-p 10cm 4.5KHz 25 °C
11mA max. at 10Vp-p 4.5KHz 25 °C
18,000+/-30% pF at 100Hz 1Vrms
-20 °C to +70 °C
-30 °C to +80 °C
2 Wires, UL1571 AWG28#
Maximum of 9.8N load pull test, applied to each terminal in axial direction for 10 seconds
Plastic, Noryl PX9406 (Black) made by GE Plastics, UL 94-V0 (UL No.: E207780)
Brass Disc
4 g
At 10 Vp-p in room temperature, continuously for 1000 hours
No function at +80+/-2 °C for 240 hours; Function at +70+/- ± 2 °C for 240 hours
No function at -30+/-2 °C for 240 hours; Function at -20+/-2 °C for 240 hours
+40+/-2 °C, 95+/-5%RH, 240 hours
-20+/-2 °C 0.5 hr → +25+/-2 °C 0.25 hr → +70+/-2 °C 0.5 hr → +25+/-2 °C 0.25 hr. Temperature Go up or Drop time is 0.5 hr. 3 hrs per 1 cycle. Total is 5 cycles
1.5mm with 10 to 50Hz of vibration frequency to each of 3 perpendicular directions for 2 hours
980m/s² (=100g) shock for each mutually perpendicular directions, half sine wave, 3 times each
Dropped naturally from 750mm height onto the surface of 10mm wooden board. 2 directions – upper and side of the part are applied
Wires are immersed up to 1.5mm from sounder's body in solder bath of 350+/-5 °C for 3±0.5 seconds or 260+/-5 °C for 10+/-1 seconds
Wires are immersed in rosin for 5 seconds and then immersed in solder bath of 350+/-5 °C for 3+/-0.5 seconds.

Warranty

For a period of one (1) year from date of manufacture under normal operations
* All specifications must be satisfied after the test (Recovery:2 to 4 hrs of recovery under the standard condition after the removal from test chamber).
**90% min. soldering pads shall be with solder.(except the edge of wire)

Dimensions (Unit:mm)



All specifications are subject to change without notice

Composed by: Guo J/070117 Checked by: Gao CL, Gong YS, Zhu YC/070117 Approved by: Wang Z/070117

Revision History

Version Number	Description	Name
050328	Original version, CPT30E10-4.5-W110	Guo Jun
070117	Switched to RoHS compliant version, CPT30E10-4.5-W110R	Guo Jun

Composed by: Guo J/070117 Checked by: Gao CL, Gong YS, Zhu YC/070117 Approved by: Wang Z/070117

ChinaSound

CHANGZHOU CHINASOUND ELECTRONICS CO., LTD.

Tel: +86-519-86182518 Fax: 86182519

<http://www.chinasound.com>

email: csound@jmail.com.cn