

**Description**

Chinasound Piezo Transducer 30mm diameter, type C(=4.5mm height, spring terminals), 10Vp-p rated voltage – 4.0KHz resonant frequency – Wire length 100mm, RoHS compliant

◆ RoHS compliant

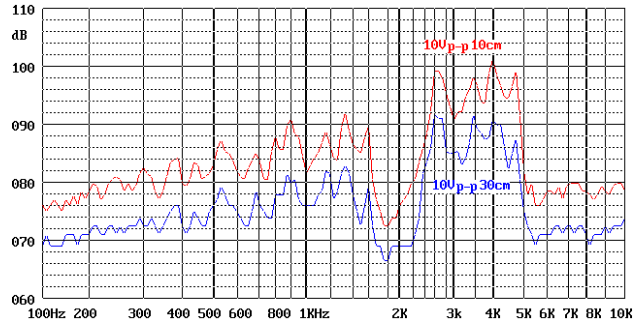
◆ Reliable Solid State Piezoelectric Technology

◆ Easily mounted

**Picture**



**Frequency Response Curve**



**Specification**

Rated Voltage  
Operating Voltage  
Operating Frequency  
Typical Sound Output  
Typical Operating Current  
Capacitance  
Operating Temperature  
Storage Temperature  
Termination

**Construction Materials**

Weight (Typical)  
Reliability

Description  
Termination Strength  
Case  
Diaphragm

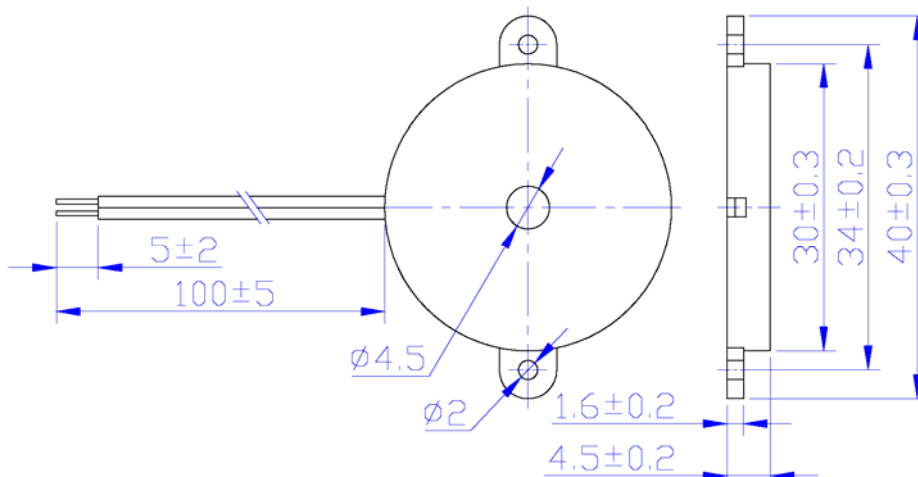
\*Life Test  
\*High Temperature  
\*Low Temperature  
\*Humidity  
\*Thermal Shock  
\*Vibration  
\*Shock  
\*Drop Test  
\*Soldering Heat Resistance  
\*\*Solderability

10 Vp-p , square wave  
1 – 30 Vp-p, square wave  
4,000+/-500Hz  
90dB min. at 10 Vp-p 10cm 4KHz 25 °C  
3 mA at 10 Vp-p  
25,000+/-30% pF at 100Hz 1Vrms  
-20 °C to +60 °C  
-30 °C to +70 °C  
Wire UL1571 AWG28#, Red(+) Black(-)  
Maximum of 9.8N (1kgs) for 10 seconds load pull test  
Plastic, ABS 757  
Brass Disc  
4.0 g  
At rated voltage in room temperature, 1 cycle = 1 min. ON 4 min. OFF, continuously for 1000 hours  
No function at +70+/-2 °C for 240 hours; Function at +60+/-2 °C for 240 hours  
No function at -30+/-2 °C for 240 hours; Function at -20+/-2 °C for 240 hours  
+40+/-2 °C, 95+/-5%RH, 240 hours  
-20+/-2 °C 0.5 hr → +25+/-2 °C 0.25 hr → +60+/-2 °C 0.5 hr → +25+/-2 °C 0.25 hr.  
Temperature Go up or Drop time is 0.5 hr. 3 hrs per 1 cycle. Total is 5 cycles  
1.5mm with 10 to 50Hz of vibration frequency to each of 3 perpendicular directions for 2 hours  
980m/s<sup>2</sup> (=100g) shock for each mutually perpendicular directions, half sine wave, 3 times each  
Dropped naturally from 750mm height onto the surface of 10mm wooden board. 2 directions – upper and side of the part are applied  
Wires are immersed in +350+/-5 °C solder bath for 3+/-0.5 seconds  
Wires are immersed in rosin for 5 seconds and then immersed in +350+/-5 °C solder bath for 3+/-0.5 seconds

**Warranty**

For a period of one (1) year from date of manufacture under normal operations  
\* All specifications must be satisfied after the test (Recovery:2 to 4 hrs of recovery under the standard condition after the removal from test chamber).  
\*\*90% min. soldering pads shall be with solder.(except the edge of wires)

**Dimensions** (Unit:mm, Tolerance: +/-0.3mm)



All specifications are subject to change without notice

Composed by: Guo J/070125 Checked by: Gao CL, Gong YS, Zhu YC/070125 Approved by: Wang Z/070125



CHANGZHOU CHINASOUND ELECTRONICS CO., LTD.

Tel: +86-519-86182518 Fax: +86-519-6182519

<http://www.chinasound.com>

email: [csound@jmail.com.cn](mailto:csound@jmail.com.cn)

**Revision History**

Version Number	Description	Name
020905	Original version, CPT30C10-4.0-W100	Guo Jun
070410	Switched to RoHS compliant version, CPT30C10-4.0-W100R	Guo Jun

Composed by: Guo J/070125    Checked by: Gao CL, Gong YS, Zhu YC/070125    Approved by: Wang Z/070125

**ChinaSound**

**CHANGZHOU CHINASOUND ELECTRONICS CO., LTD.**

Tel: +86-519-86182518    Fax: +86-519-6182519

<http://www.chinasound.com>  
email: csound@jmail.com.cn