

Description

Chinasound Piezo Transducer 25 mm length and width, type A (=8 mm height), 12 Vp-p rated voltage – 0.4 KHz resonant frequency, RoHS compliant

◆ RoHS compliant

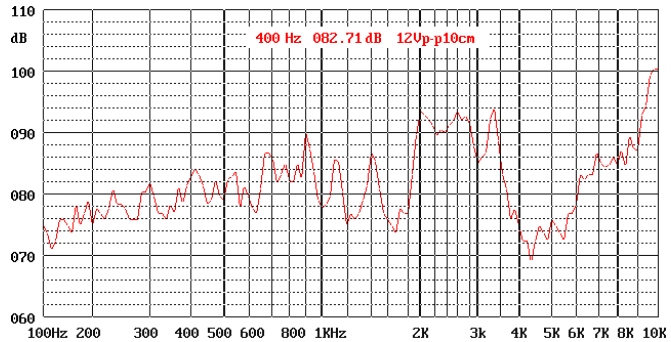
◆ Reliable Solid State Piezoelectric Technology

◆ Flame Retardant Plastic

Picture



Frequency Response Curve



Specification

- Rated Voltage
- Operating Voltage
- Operating Frequency
- Typical Sound Output
- Rated Current
- Capacitance
- Operating Temp.
- Storage Temperature
- Termination
- Construction Materials
- Weight (Typical)
- Reliability

- Description
- Termination Strength
- Case
- Diaphragm

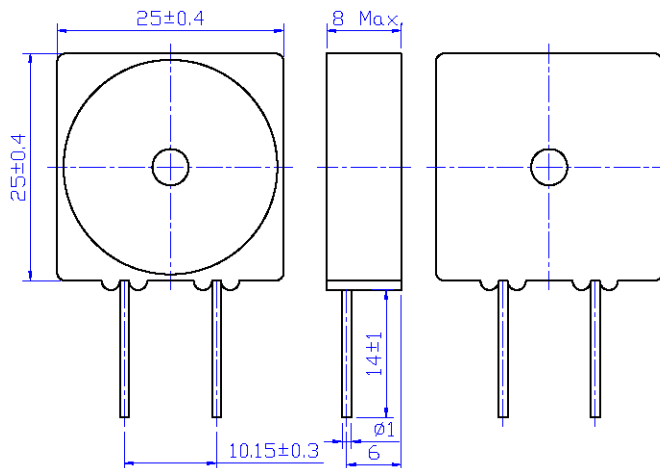
- *Life Test
- *High Temperature
- *Low Temperature
- *Humidity
- *Thermal Shock
- *Vibration
- *Shock
- *Drop Test
- *Soldering Heat Resistance
- **Solderability

12 Vp-p square wave
 3 ~ 30 Vp-p
 400+/-100Hz
 79 dB min. at 12 Vp-p 10cm 0.4 KHz 25 °C
 1 mA max. at 12 Vp-p 0.4 KHz 25 °C
 17,000+/-30% pF at 100Hz 1Vrms
 -25 °C to +85 °C
 -30 °C to +90 °C
 2 Pins, Sn plated Brass
 Maximum of 9.8N load pull test, applied to each terminal in axial direction for 10 seconds
 Nylon
 Stainless Steel Disc
 4.9 g
 At 12 Vp-p, 1 minutes ON 1 minutes OFF in room temperature continuously for 1000 hours
 No function at +90+/-2 °C for 240 hours; Function at +85+/-2 °C for 240 hours
 No function at -30+/-2 °C for 240 hours; Function at -20+/-2 °C for 240 hours
 +40+/-2 °C, 95+/-5%RH, 240 hours
 -25+/-2 °C 0.5 hr → +25+/-2 °C 0.25 hr → +85+/-2 °C 0.5 hr → +25+/-2 °C 0.25 hr. Temperature Go up or Drop time is 0.5 hr. 3 hrs per 1 cycle. Total is 5 cycles
 1.5mm with 10 to 50Hz of vibration frequency to each of 3 perpendicular directions for 2 hours
 980m/s² (=100g) shock for each mutually perpendicular directions, half sine wave, 3 times each
 Dropped naturally from 750mm height onto the surface of 10mm wooden board. 2 directions – upper and side of the part are applied
 Lead terminals are immersed up to 1.5mm from sounder's body in solder bath of 350+/-5 °C for 3+/-0.5 seconds or 260+/-5 °C for 10+/-1 seconds
 Lead terminals are immersed in rosin for 5 seconds and then immersed in solder bath of 350+/-5 °C for 3+/-0.5 seconds.

Warranty

For a period of one (1) year from date of manufacture under normal operations
 * All specifications must be satisfied after the test (Recovery:2 to 4 hrs of recovery under the standard condition after the removal from test chamber).
 **90% min. soldering terminals shall be with solder.(except the edge of terminal)

Dimensions (Unit:mm)



All specifications are subject to change without notice

Composed by: Guo J/070125 Checked by: Gao CL, Gong YS, Zhu YC/070125 Approved by: Wang Z/070125



CHANGZHOU CHINASOUND ELECTRONICS CO., LTD.

Tel: +86-519-86182518 Fax: +86-519-6182519

http://www.chinasound.com
 email: csound@jmail.com.cn

Revision History

Version Number	Description	Name
070125	Original version, CPT25A12B-0.4R	Guo Jun

Composed by: Guo J/070125 Checked by: Gao CL, Gong YS, Zhu YC/070125 Approved by: Wang Z/070125

ChinaSound

CHANGZHOU CHINASOUND ELECTRONICS CO., LTD.

Tel: +86-519-86182518 Fax: +86-519-6182519

<http://www.chinasound.com>
email: csound@jsmail.com.cn