

Description

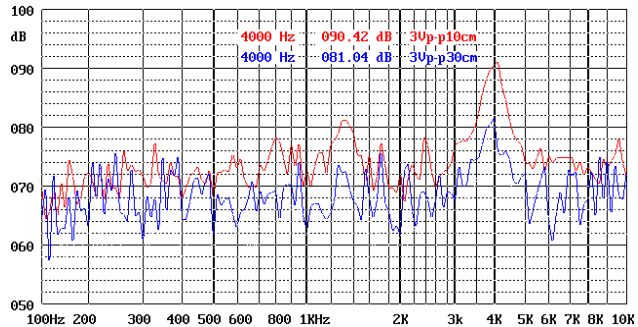
Chinasound Piezo Transducer 22mm diameter, type I (=10.8mm height) MPPO housing, 3Vp-p rated voltage – 4.0KHz resonant frequency – Pin length 3.5mm, RoHS compliant

- ◆ RoHS compliant
- ◆ Reliable Solid State Piezoelectric Technology
- ◆ Flame Retardant Plastic
- ◆ Wave solderable

Picture



Frequency Response Curve



Specification

- Rated Voltage
- Operating Voltage
- Operating Frequency
- Typical Sound Output
- Rated Current
- Capacitance
- Operating Temp.
- Storage Temperature
- Termination

3 Vp-p square wave
 1 ~ 30 Vp-p
 4,000+/-500Hz
 85dB min. (90dB typ.) at 3Vp-p 10cm 4.0KHz 25 °C
 2 mA max. at 3Vp-p 4.0KHz 25 °C
 12,000+/-30% pF at 100Hz 1Vrms
 -40 °C to +105 °C
 -40 °C to +120 °C
 2 soldering pins, Sn plated Brass
 Maximum of 9.8N load pull test, applied to each terminal in axial direction for 10 seconds
 Plastic, MPPO
 Brass Disc
 3 g

Construction Materials

- Description
- Termination Strength
- Case
- Diaphragm

**Weight (Typical)
Reliability**

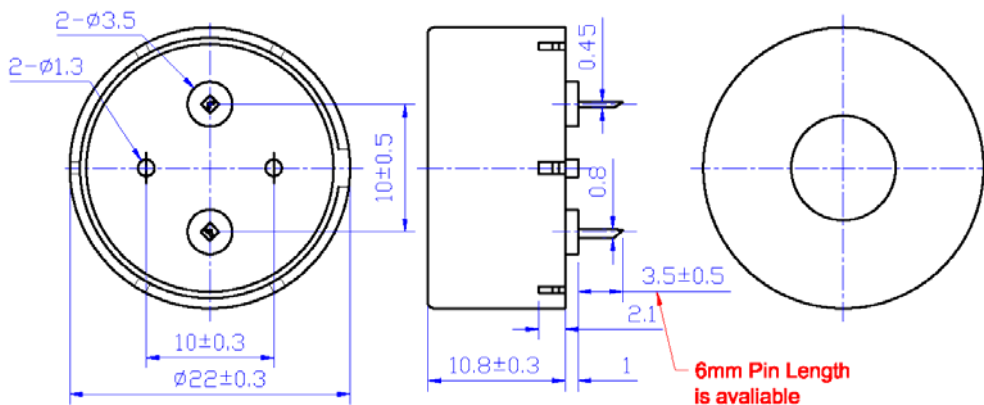
- *Life Test
- *High Temperature
- *Low Temperature
- *Humidity
- *Thermal Shock
- *Vibration
- *Shock
- *Drop Test
- *Soldering Heat Resistance
- **Solderability

At 3 Vp-p in room temperature, continuously for 1000 hours
 No function at +120+/-2 °C for 240 hours; Function at +105+/-2 °C for 240 hours
 No function at -40+/-2 °C for 240 hours; Function at -40+/-2 °C for 240 hours
 +40+/-2 °C, 95+/-5%RH, 240 hours
 -40+/-2 °C 0.5 hr → +25+/-2 °C 0.25 hr → +105+/-2 °C 0.5 hr → +25+/-2 °C 0.25 hr. Temperature Go up or Drop time is 0.5 hr. 3 hrs per 1 cycle. Total is 5 cycles
 1.5mm with 10 to 50Hz of vibration frequency to each of 3 perpendicular directions for 2 hours
 980m/s² (=100g) shock for each mutually perpendicular directions, half sine wave, 3 times each
 Dropped naturally from 750mm height onto the surface of 10mm wooden board. 2 directions – upper and side of the part are applied
 Terminals are immersed up to 1.5mm from sounder's body in solder bath of 350+/-5 °C for 3±0.5 seconds or 260+/-5 °C for 10+/-1 seconds
 Lead terminals are immersed in rosin for 5 seconds and then immersed in solder bath of 350+/-5 °C for 3+/-0.5 seconds.

Warranty

For a period of one (1) year from date of manufacture under normal operations
 * All specifications must be satisfied after the test (Recovery:2 to 4 hrs of recovery under the standard condition after the removal from test chamber).
 **90% min. soldering pads shall be with solder.(except the edge of terminal)

Dimensions (Unit:mm)



All specifications are subject to change without notice

Composed by: Guo J/071205 Checked by: Gao CL, Gong YS, Zhu YC/071205 Approved by: Wang Z/071205



CHANGZHOU CHINASOUND ELECTRONICS CO., LTD.

Tel: +86-519-86182518 Fax: 86182519

http://www.chinasound.com
email: csound@jsmail.com.cn

Revisions History

Version Number	Description	Name
050524	Original, CPT22IM03-4.0-R	Guo Jun
071205	To add pin length in specification, CPT22IM03-4.0-P3.5R	Guo Jun