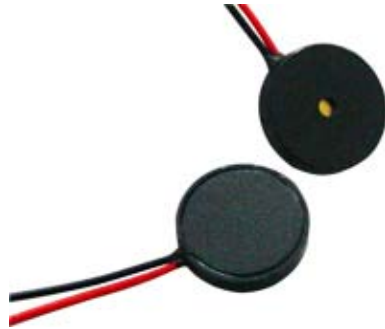


Description

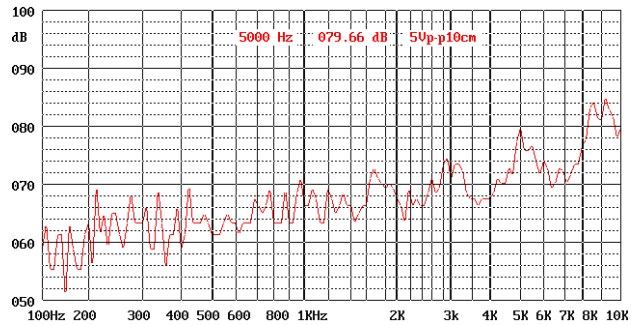
Chinasound Piezo Transducer 13mm diameter, type F(=2.5mm height), 5Vp-p rated voltage – 5.0KHz resonant frequency Wire length 40mm, RoHS compliant

- ◆ RoHS compliant
- ◆ Reliable Solid State Piezoelectric Technology
- ◆ Corrosion Resistance Diaphragm
- ◆ Flame Retardant Plastic

Picture



Frequency Response Curve



Specification

- Rated Voltage
- Operating Voltage
- Operating Frequency
- Typical Sound Output
- Typical Operating Current
- Capacitance
- Operating Temperature
- Storage Temperature
- Termination
- Construction Materials
- Weight (Typical)
- Reliability

Description
Case
Diaphragm

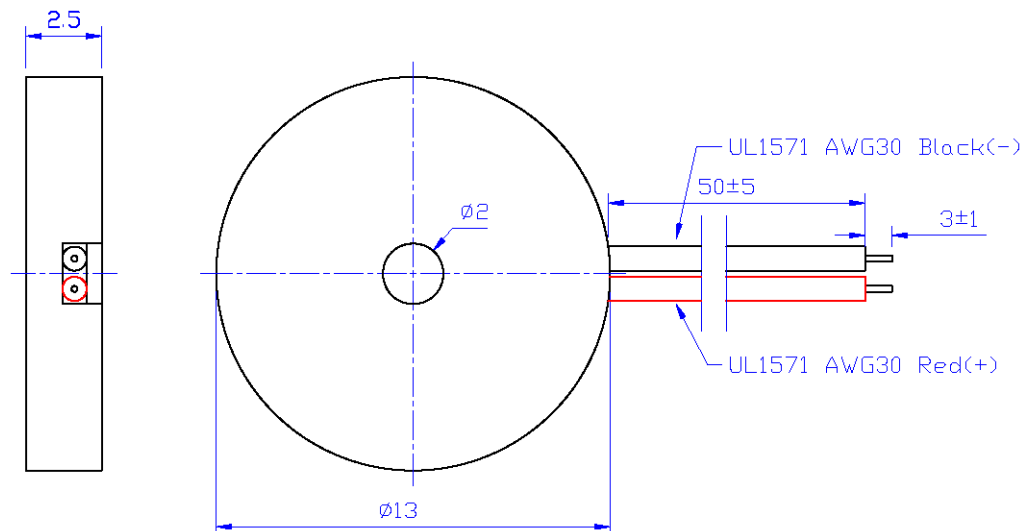
- *Life Test
- *High Temperature
- *Low Temperature
- *Humidity
- *Thermal Shock
- *Vibration
- *Shock
- *Drop Test

5 Vp-p, square wave
 3 - 25 Vp-p, square wave
 5,000+/-500Hz
 75dB min. at 5Vp-p 10cm 4KHz 25 °C
 1 mA at 5Vp-p
 10,000+/-30% pF at 100Hz 1Vrms
 -20 °C to +60 °C
 -30 °C to +70 °C
 Wire UL1571 AWG 30, Red (+), Black (-)
 ABS 757
 Brass Disc
 1 g
 At 5 Vp-p, 1 minutes ON 1 minutes OFF in room temperature continuously for 1000 hours
 No function at +70+/-2 °C for 240 hours; Function at +60+/-2 °C for 240 hours
 No function at -30+/-2 °C for 240 hours; Function at -20+/-2 °C for 240 hours
 +40+/-2 °C, 95+/-5%RH, 240 hours
 -40+/-2 °C 0.5 hr → +25+/-2 °C 0.25 hr → +85+/-2 °C 0.5 hr → +25+/-2 °C 0.25 hr.
 Temperature Go up or Drop time is 0.5 hr. 3 hrs per 1 cycle. Total is 5 cycles
 1.5mm with 10 to 50Hz of vibration frequency to each of 3 perpendicular directions for 2 hours
 980m/s² (=100g) shock for each mutually perpendicular directions, half sine wave, 3 times each
 Dropped naturally from 750mm height onto the surface of 10mm wooden board. 2 directions – upper and side of the part are applied

Warranty

*All specifications must be satisfied after the test (Recovery:2 to 4 hrs of recovery under the standard condition after the removal from test chamber).

Dimensions (Unit:mm, Tolerance: +/-0.3mm)



All specifications are subject to change without notice

Composed by: Guo Jun/080123 Checked by: Gao CL, Gong YS, Zhu YC/080123 Approved by: Wang Z/080123



CHANGZHOU CHINASOUND ELECTRONICS CO., LTD.

Tel: +86-519-86182518 Fax: 86182519

http://www.chinasound.com

email: csound@jsmail.com.cn

Revisions History

Version Number	Description	Name
080123	Original, CPT13F05-5.0-W40R	Guo Jun

Composed by: Guo Jun/080123 Checked by: Gao CL, Gong YS, Zhu YC/080123 Approved by: Wang Z/080123

ChinaSound

CHANGZHOU CHINASOUND ELECTRONICS CO., LTD.

Tel: +86-519-86182518 Fax: 86182519

<http://www.chinasound.com>
email: csound@jmail.com.cn