

**Description**

Chinasound Piezo Transducer 12.5(<13mm) diameter, type A(=6.8mm height, spring terminals), 3Vp-p rated voltage – 4.0KHz resonant frequency Chinasound, RoHS compliance

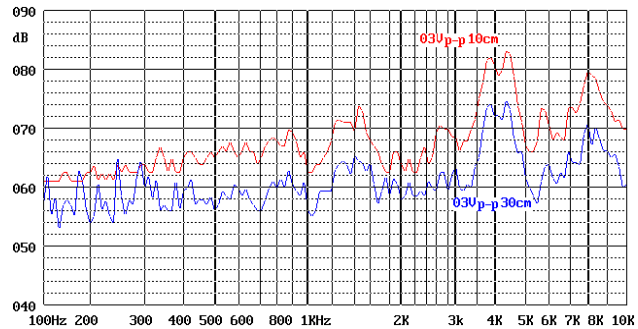
**◆ RoHS compliance**

- ◆ Reliable Solid State Piezoelectric Technology
- ◆ Corrosion Resistance Diaphragm
- ◆ Flame Retardant Plastic

**Picture**



**Frequency Response Curve**



**Specification**

- Operating Voltage
- Operating Frequency
- Typical Sound Output
- Typical Operating Current
- Capacitance
- Operating Temperature
- Storage Temperature
- Termination
- Construction Materials

3 Vp-p max.  
 4000 ± 500Hz  
 75dB min. at 3Vp-p 10cm 4KHz 25 °C  
 1mA at 3Vp-p  
 10000 ± 30% pF at 100Hz 1Vrms  
 -30 °C to +85 °C  
 -40 °C to +90 °C

- Weight (Typical)
- Reliability

- Description
- Case
- Diaphragm

2 soldering pins, Sn plated Brass  
 Plastic, Noryl PX9406  
 Brass Disc  
 0.8g

- \*Life Test
- \*High Temperature
- \*Low Temperature
- \*Humidity
- \*Thermal Shock

At 3 Vp-p at +105 °C ± 2 continuously for 1000 hours  
 +90 °C ± 2 for 240 hours  
 -40 °C ± 2 for 240 hours  
 +40 °C ± 2 °C, 95 ± 5%RH, 240 hours  
 -30 °C ± 2 °C 0.5 hr → +25 °C ± 2 °C 0.25 hr → +85 °C ± 2 °C 0.5 hr → +25 °C ± 2 °C 0.25 hr. Temperature Go up or Drop time is 0.5 hr. 3 hrs per 1 cycle. Total is 5 cycles

- \*Vibration

1.5mm with 10 to 50Hz of vibration frequency to each of 3 perpendicular directions for 2 hours

- \*Shock

980m/s<sup>2</sup> (=100g) shock for each mutually perpendicular directions, half sine wave, 3 times each

- \*Drop Test

Dropped naturally from 750mm height onto the surface of 10mm wooden board. 2 directions – upper and side of the part are applied

- \*\*Termination Strength

Maximum of 9.8N (1kgs) for 10 seconds load pull test

- \*\*\*Soldering Heat Resistance

Soldering pads are immersed in +350+/-5 °C solder bath for 3+/-0.5 seconds

- \*\*\*\*Solderability

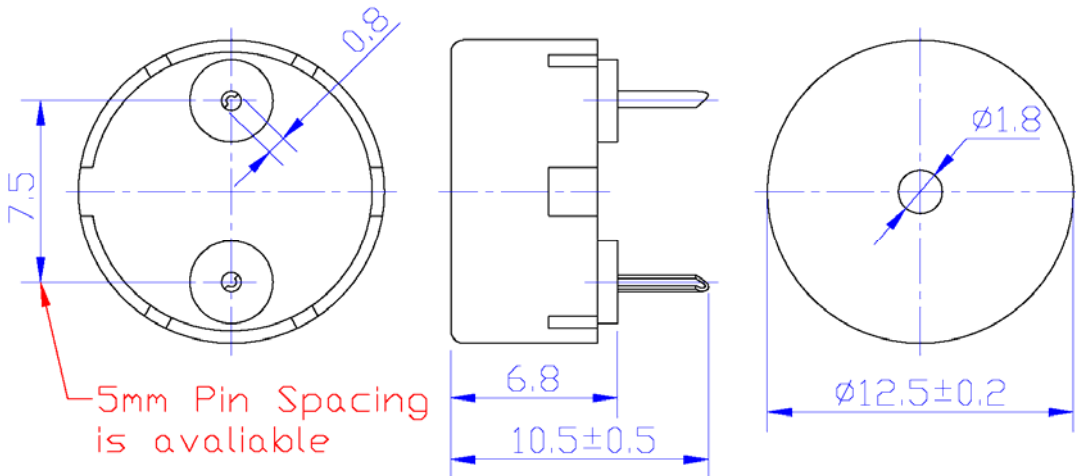
Soldering pads are immersed in rosin for 5 seconds and then immersed in +350+/-5 °C solder bath for 3+/-0.5 seconds

**Warranty**

For a period of one (1) year from date of manufacture under normal operations  
 \* Being placed for 4hours at +25 °C, part shall be measured. The value of frequency and current consumption shall be in ± 10% compared with initial value. The capacitance should be in ± 20% compared with initial value. The SPL shall be in ± 10dB compared with initial value.

\*\* No damage and cut off      \*\*\*No interference in operation      \*\*\*\*90% min. soldering pads shall be with solder.(except the edge of pad)

**Dimensions** (Unit:mm, Tolerance: ± 0.3mm)



All specifications are subject to change without notice

Composed by: Guo Jun/060102    Checked by: Gao CL, Gong YS, Zhu YC/060102    Approved by: Wang Z/060102



**CHANGZHOU CHINASOUND ELECTRONICS CO., LTD.**

Tel: +86-519-86182518    Fax: 86182519

<http://www.chinasound.com>

email: [csound@jstmail.com.cn](mailto:csound@jstmail.com.cn)

## Revisions History

Version Number	Description	Name
010208	Original, CPT13A03-4.0	Guo Jun
060102	Switched to RoHS complaint version, CPT13A03-4.0R	Guo Jun

Composed by: Guo Jun/060102    Checked by: Gao CL, Gong YS, Zhu YC/060102    Approved by: Wang Z/060102

**ChinaSound**

**CHANGZHOU CHINASOUND ELECTRONICS CO., LTD.**

Tel: +86-519-86182518    Fax: 86182519

<http://www.chinasound.com>

email: [csound@jmail.com.cn](mailto:csound@jmail.com.cn)