

Description

Chinasound Piezo Transducer 12mm diameter, type A(=7.5mm height, spring terminals), 3Vp-p rated voltage – 4.5KHz resonant frequency, RoHS compliant

◆ RoHS compliant

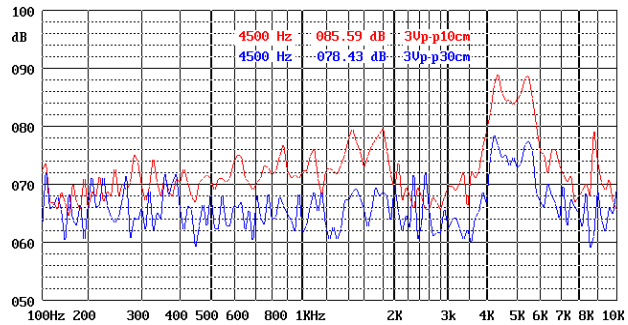
◆ Reliable Solid State Piezoelectric Technology

◆ Flame Retardant Plastic

Picture



Frequency Response Curve



Specification

Rated Voltage

3 Vp-p , square wave

Operating Voltage

1 – 20 Vp-p, square wave

Operating Frequency

4500+/-500Hz

Typical Sound Output

75dB min. at 3Vp-p 10cm 4.5KHz 25 °C

Typical Operating Current

1mA at 3Vp-p

Capacitance

8,000+/-30% pF at 100Hz 1Vrms

Operating Temperature

-40 °C to +85 °C

Storage Temperature

-40 °C to +90 °C

Termination

Description

2 soldering pins, Sn plated Brass

Construction Materials

Termination Strength

Maximum of 9.8N (1kgs) for 10 seconds load pull test

Case

Plastic, Noryl PX9406

Diaphragm

Ni Alloy Disc N42

Weight (Typical)

0.65 g

Reliability

*Life Test

At rated voltage in room temperature, 1 cycle = 1 min. ON 4 min. OFF, continuously for 1000 hours

*High Temperature

No function at +90+/-2 °C for 240 hours; Function at +85+/-2 °C for 240 hours

*Low Temperature

No function at -40+/-2 °C for 240 hours; Function at -40+/-2 °C for 240 hours

*Humidity

+40+/-2 °C, 95+/-5%RH, 240 hours

*Thermal Shock

-40+/-2 °C 0.5 hr → +25+/-2 °C 0.25 hr → +85+/-2 °C 0.5 hr → +25+/-2 °C 0.25 hr. Temperature Go up or Drop time is 0.5 hr. 3 hrs per 1 cycle. Total is 5 cycles

*Vibration

1.5mm with 10 to 50Hz of vibration frequency to each of 3 perpendicular directions for 2 hours

*Shock

980m/s² (=100g) shock for each mutually perpendicular directions, half sine wave, 3 times each

*Drop Test

Dropped naturally from 750mm height onto the surface of 10mm wooden board. 2 directions – upper and side of the part are applied

*Soldering Heat Resistance

Samples put through reflowing soldering oven 2 twice

**Solderability

Samples put through reflowing soldering oven 1 times

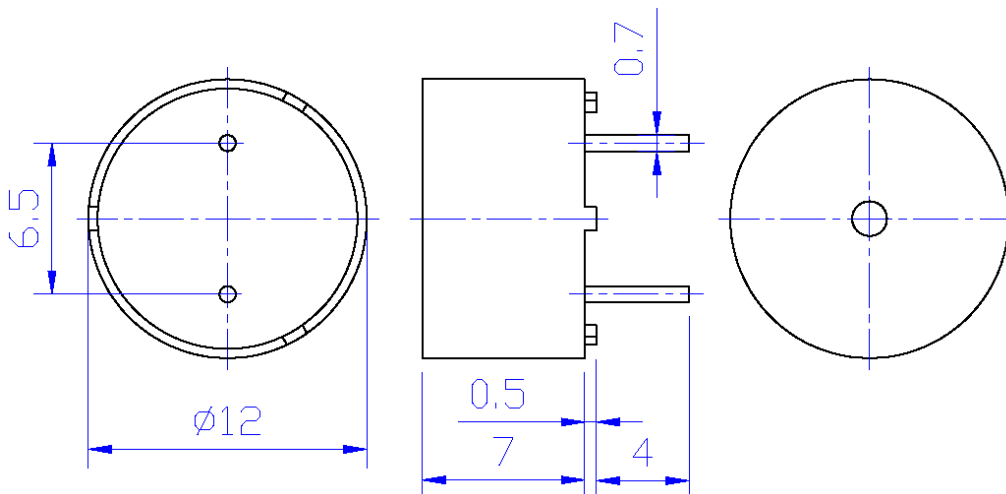
Warranty

For a period of one (1) year from date of manufacture under normal operations

* All specifications must be satisfied after the test (Recovery:2 to 4 hrs of recovery under the standard condition after the removal from test chamber).

**90% min. soldering pads shall be with solder.(except the edge of pad)

Dimensions (Unit:mm, Tolerance: +/-0.3mm)



All specifications are subject to change without notice

Composed by: Guo Jun/070317 Checked by: Gao CL, Gong YS, Zhu YC/070317 Approved by: Wang Z/070317



CHANGZHOU CHINASOUND ELECTRONICS CO., LTD.

Tel: +86-519-86182518 Fax: 86182519

http://www.chinasound.com

email: csound@jsmail.com.cn

Revisions History

Version Number	Description	Name
051125	Original, CPT12A03-4.5	Guo Jun
070317	Switched to RoHS complaint version, CPT12A03-4.5R	Guo Jun

Composed by: Guo Jun/070317 Checked by: Gao CL, Gong YS, Zhu YC/070317 Approved by: Wang Z/070317

ChinaSound

CHANGZHOU CHINASOUND ELECTRONICS CO., LTD.

Tel: +86-519-86182518 Fax: 86182519

<http://www.chinasound.com>
email: csound@jmail.com.cn