

Description

Chinasound Electronics Piezo Transducer 10mm) diameter, type B
 (= 2.5mm height), 10Vp-p rated voltage – 3.2KHz resonant
 frequency – Wire length 12.7mm, RoHS compliant

◆ RoHS compliant

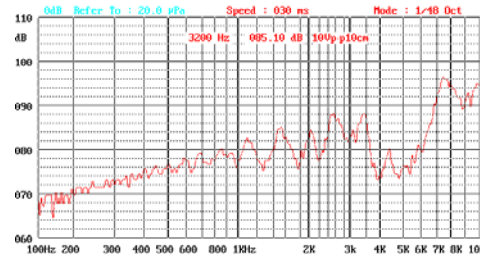
◆ Reliable Solid State Piezoelectric Technology

◆ Small Size

Picture



Characteristics



Specification

- Rated Voltage
- Operating Voltage
- Operating Frequency
- Typical Sound Output
- Typ. Operating Current
- Capacitance
- Operating Temperature
- Storage Temperature
- Termination
- Construction Materials

- Description
- Case
- Diaphragm
- Termination Strength

10 Vp-p
 30 Vp-p max.
 3,200+/-500Hz
 70dB min. (85dB typ.) at 10Vp-p 10cm 3.2KHz 25 °C
 2 mA at 10 Vp-p 3.2KHz 25 °C
 11,000+/-30% pF at 1000Hz 1Vrms
 -20 °C to +60 °C
 -30 °C to +70 °C
 2 wires, UL1571 AWG32#, Red(+) and Black(-)
 ABS 757
 Brass
 Maximum of 5N for 10 seconds load pull test
 0.18 g
 At 10 Vp-p, 1 minutes ON 1 minutes OFF in room temperature continuously for 1000 hours
 No function at +70+/-2 °C for 240 hours; Function at +60+/-2 °C for 240 hours
 No function at -30+/-2 °C for 240 hours; Function at -20+/-2 °C for 240 hours
 +40+/-2 °C, 95+/-5%RH, 240 hours
 -20+/-2 °C 0.5 hr → +25+/-2 °C 0.25 hr → +70+/-2 °C 0.5 hr → +25+/-2 °C 0.25 hr. Temperature
 Go up or Drop time is 0.5 hr. 3 hrs per 1 cycle. Total is 5 cycles
 1.5mm with 10 to 50Hz of vibration frequency to each of 3 perpendicular directions for 2 hours
 980m/s² (=100g) shock for each mutually perpendicular directions, half sine wave, 3 times
 each
 Dropped naturally from 750mm height onto the surface of 10mm wooden board. 2 directions –
 upper and side of the part are applied
 Soldering pads are immersed in +350+/-5 °C solder bath for 3+/-0.5 seconds
 Soldering pads are immersed in rosin for 5 seconds and then immersed in +350+/-5 °C solder
 bath for 3+/-0.5 seconds

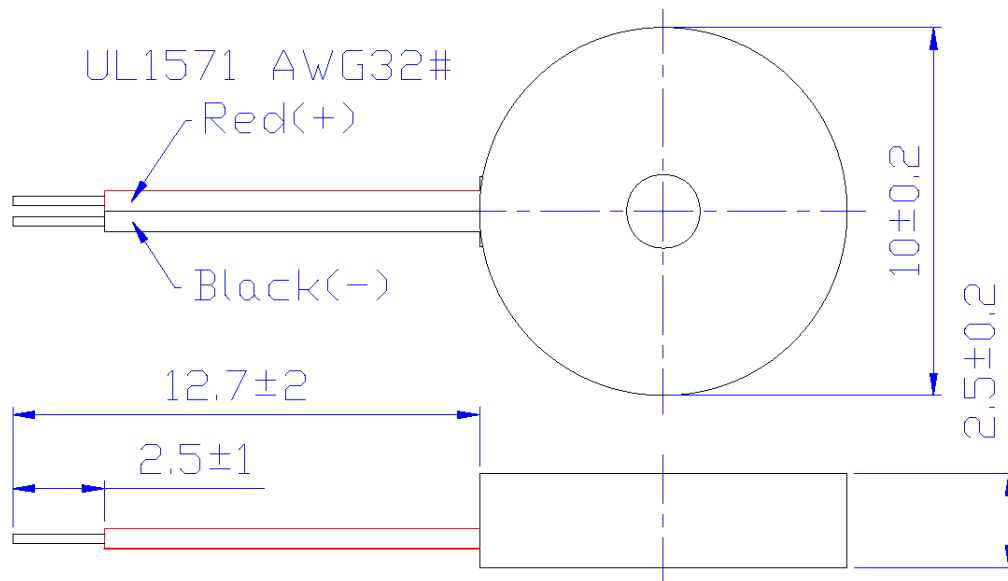
- Weight (Typical)
- Reliability

- *Life Test
- *High Temperature
- *Low Temperature
- *Humidity
- *Thermal Shock
- *Vibration
- *Shock
- *Drop Test
- *Soldering Heat Resistance
- **Solderability

Warranty

* All specifications must be satisfied after the test (Recovery:2 to 4 hrs of recovery under the standard condition after the removal from test chamber).
 **90% min. soldering pads shall be with solder.(except the edge of pad)

Dimensions (Unit: mm)



All specifications are subject to change without notice

Composed by: Guo Jun/090530 Checked by: Gao CL, Gong YS, Zhu YC/090530 Approved by: Wang Z/090530



CHANGZHOU CHINASOUND ELECTRONICS CO., LTD.

Tel: +86-519-86182518 Fax: +86-519-86182519

http://www.chinasound.com

email: csound@jmail.com.cn

Revisions History

Version Number	Description	Name
090530	Original, CPT10B10-3.2-W12.7R	Guo Jun