

Description

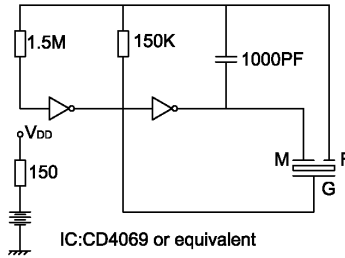
Chinasound Piezo Transducer, self driven type with Feedback piezo disc, 39mm diameter, type Y (=20mm height, 16mm diameter sound hole), 09 VDC rated voltage – 3.2KHz resonant frequency – Spring terminal, type A, 3.5mm length, RoHS compliant

- ◆ RoHS compliant
- ◆ Reliable Solid State Piezoelectric Technology
- ◆ Flame Retardant Plastic

Picture



Driving Circuit



Frequency Response Curve



Specification

- Rated Voltage
- Operating Voltage
- Operating Frequency
- Typical Sound Output
- Rated Current
- Capacitance
- Operating Temp.
- Storage Temperature
- Termination

12 VDC
 6 ~ 20 VDC
 3,200+/-500Hz
 100 dB min. at 12 VDC 10cm 25 °C
 90 dB min. at 12 VDC 30cm 25 °C
 15 mA max. at 12 VDC 25 °C
 25,000+/-30% pF at 100Hz 1Vrms
 -20 °C to +70 °C
 -30 °C to +80 °C

Construction Materials

- Weight (Typical)
- Reliability

- Description
- Termination Strength
- Case
- Diaphragm

3 Spring Terminals, Sn plated Brass Qbe0.2Y
 Maximum of 9.8N load pull test, applied to each terminal in axial direction for 10 seconds
 Plastic, Case: Noryl PX9406
 Stainless Steel 304

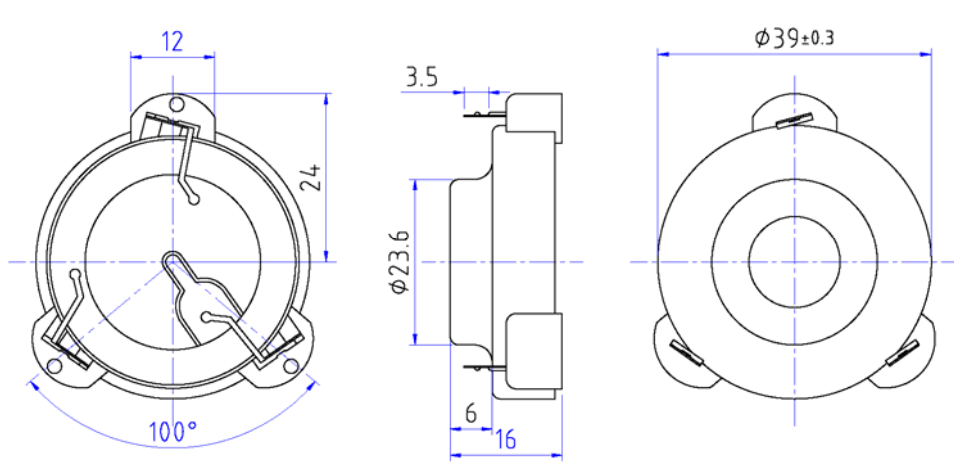
- *Life Test
- *High Temperature
- *Low Temperature
- *Humidity
- *Thermal Shock
- *Vibration
- *Shock
- *Drop Test
- *Soldering Heat Resistance
- **Solderability

9 g
 At 12 VDC in room temperature, 1 ON 4 OFF, continuously for 1000 hours
 No function at +80+/-2 °C for 240 hours; Function at +70+/-2 °C for 240 hours
 No function at -30+/-2 °C for 240 hours; Function at -20+/-2 °C for 240 hours
 +40+/-2 °C, 95+/-5%RH, 240 hours
 -20+/-2 °C 0.5 hr → +25+/-2 °C 0.25 hr → +70+/-2 °C 0.5 hr → +25+/-2 °C 0.25 hr.
 Temperature Go up or Drop time is 0.5 hr. 3 hrs per 1 cycle. Total is 5 cycles
 1.5mm with 10 to 50Hz of vibration frequency to each of 3 perpendicular directions for 2 hours
 980m/s² (=100g) shock for each mutually perpendicular directions, half sine wave, 3 times each
 Dropped naturally from 750mm height onto the surface of 10mm wooden board. 2 directions – upper and side of the part are applied
 Pins are immersed up to 1.5mm from sounder's body in solder bath of 350+/-5 °C for 3+/-0.5 seconds or 260+/-5 °C for 10+/-1 seconds
 Lead terminals are immersed in rosin for 5 seconds and then immersed in solder bath of 350+/-5 °C for 3+/-0.5 seconds.

Warranty

For a period of one (1) year from date of manufacture under normal operations
 * All specifications must be satisfied after the test (Recovery:2 to 4 hrs of recovery under the standard condition after the removal from test chamber).
 **90% min. soldering pads shall be with solder.(except the edge of pad)

Dimensions (Unit:mm)



All specifications are subject to change without notice

Composed by: Guo J/091208 Checked by: Gong YS, Zhu YC/091208 Approved by: Wang Z/091208



CHANGZHOU CHINASOUND ELECTRONICS CO., LTD.

Tel: +86-519-86182518 Fax: 86182519

http://www.chinasound.com

email: csound@jstmail.com.cn

Version History

Version Number	Description	Name
091208	Original	Guo Jun