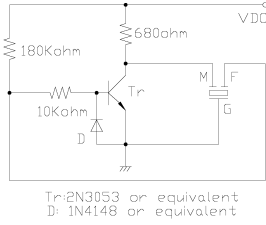


Description

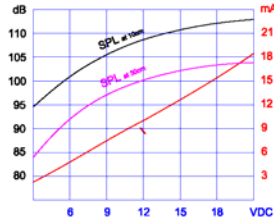
Chinasound Piezo Transducer, self driven type with Feedback piezo disc 39mm diameter, type Y (=20mm height, 16mm diameter sound hole), 12 VDC rated voltage – 3.2KHz resonant frequency – Spring terminal, 5mm length, RoHS compliant

- ◆ RoHS compliant
- ◆ Reliable Solid State Piezoelectric Technology
- ◆ Flame Retardant Plastic

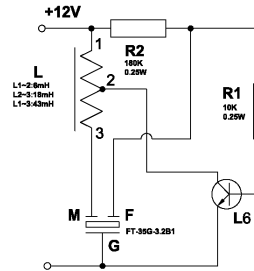
Driving Circuit 1



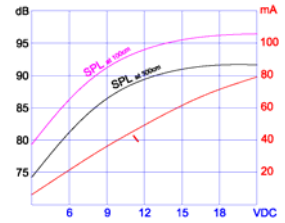
Characteristics 1



Driving Circuit 2



Characteristics 2



Specification

Rated Voltage

Operating Voltage

Operating Frequency

Typical Sound Output

Rated Current

Capacitance

Operating Temp.

Storage Temperature

Termination

Construction Materials

Weight (Typical)

Driving Circuit 1

Driving Circuit 2

Driving Circuit 1

Driving Circuit 2

Description

Termination Strength

Case

Diaphragm

***Life Test**

***High Temperature**

***Low Temperature**

***Humidity**

***Thermal Shock**

***Vibration**

Reliability

***Shock**

***Drop Test**

***Soldering Heat Resistance**

****Solderability**

12 VDC

6 ~ 20 VDC

3,200+/-500Hz

105 dB min. at 12 VDC 10cm 25°C; 95 dB min. at 12 VDC 30cm 25°C

90 dB min. at 12 VDC 100cm 25°C; 85 dB min. at 12 VDC 300cm 25°C

15 mA max. at 12 VDC 25°C

60 mA max. at 12 VDC 25°C

30,000+/-30% pF at 100Hz 1Vrms

-20°C to +70°C

-30°C to +80°C

3 Spring Terminals, Sn plated Brass Qbe0.2Y

Maximum of 9.8N load pull test, applied to each terminal in axial direction for 10 seconds

Plastic, Case: Noryl PX9406

Stainless Steel 304

9.1 g

At 12 VDC in room temperature, 1 ON 4 OFF, continuously for 1000 hours

No function at +80+/-2°C for 240 hours; Function at +70+/-2°C for 240 hours

No function at -30+/-2°C for 240 hours; Function at -20+/-2°C for 240 hours

+40+/-2°C, 95+/-5%RH, 240 hours

-20+/-2°C 0.5 hr → +25+/-2°C 0.25 hr → +70+/-2°C 0.5 hr → +25+/-2°C 0.25 hr. Temperature Go up or Drop time is 0.5 hr. 3 hrs per 1 cycle. Total is 5 cycles

1.5mm with 10 to 50Hz of vibration frequency to each of 3 perpendicular directions for 2 hours

980m/s² (=100g) shock for each mutually perpendicular directions, half sine wave, 3 times each

Dropped naturally from 750mm height onto the surface of 10mm wooden board. 2 directions – upper and side of the part are applied

Pins are immersed up to 1.5mm from sounder's body in solder bath of 350+/-5°C for 3+/-0.5 seconds or 260+/-5°C for 10+/-1 seconds

Lead terminals are immersed in rosin for 5 seconds and then immersed in solder bath of 350+/-5°C for 3+/-0.5 seconds.

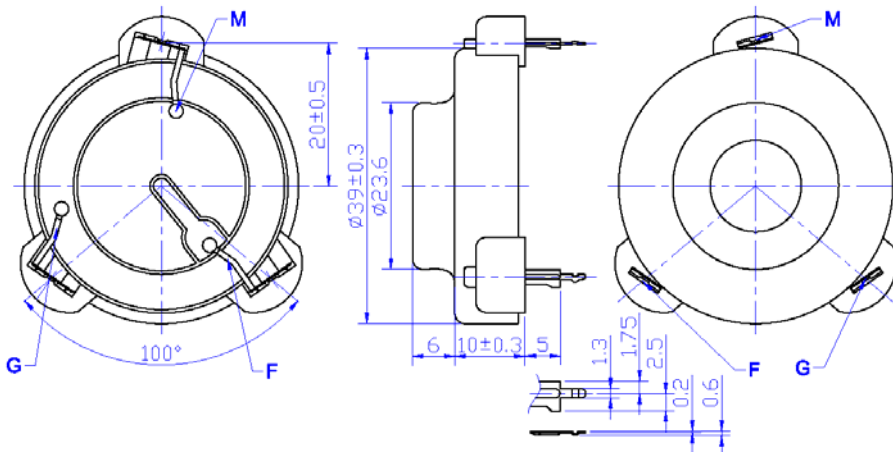
For a period of one (1) year from date of manufacture under normal operations

Warranty

* All specifications must be satisfied after the test (Recovery:2 to 4 hrs of recovery under the standard condition after the removal from test chamber).

**90% min. soldering pads shall be with solder.(except the edge of pad)

Dimensions (Unit:mm)



All specifications are subject to change without notice

Composed by: Guo J/090115 Checked by: Gong YS, Zhu YC/090115 Approved by: Wang Z/090115



CHANGZHOU CHINASOUND ELECTRONICS CO., LTD.

Tel: +86-519-86182518 Fax: 86182519

http://www.chinasound.com

email: csound@jmail.com.cn

Revisions History

Version Number	Description	Name
070825	Original, CPT39YF12-3.2-S5R	Guo Jun
090115	PN is revised to CPF39Y12-3.2-S5R	Guo Jun

Composed by: Guo J/090115 Checked by: Gong YS, Zhu YC/090115 Approved by: Wang Z/090115

ChinaSound

CHANGZHOU CHINASOUND ELECTRONICS CO., LTD.

Tel: +86-519-86182518 Fax: 86182519

<http://www.chinasound.com>

email: csound@jmail.com.cn