

**Description**

Chinasound Piezo Transducer with Feedback disc, 30.5(<31) mm diameter, type A(=7.7mm height), 12VDC rated voltage – 2.5KHz resonant frequency, RoHS compliant

- ◆ RoHS compliant
- ◆ Corrosion Resistant
- ◆ Reliable Solid State Piezoelectric Technology
- ◆ Flame Retardant Plastic

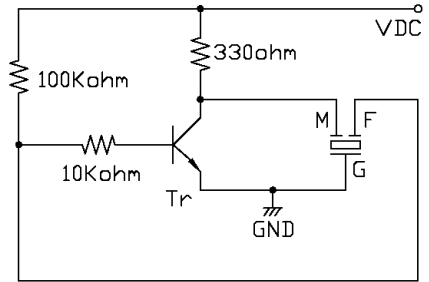
**Picture**



**Characteristics**



**Driving Circuit**



Tri:2SC1815Y or equivalent

**Specification**

- Rated Voltage
- Operating Voltage
- Operating Frequency
- Typical Sound Output
- Rated Current
- Capacitance
- Operating Temp.
- Storage Temperature
- Termination

12 VDC  
 3 ~ 25 VDC.  
 2,500+/-500Hz  
 85dB min. (typ.90db) at 12VDC 10cm 25 °C  
 20 mA at 12VDC 25 °C  
 25,000+/-30% pF at 100Hz 1Vrms  
 -40 °C to +85 °C  
 -40 °C to +90 °C

**Construction Materials**

- Description
- Termination Strength
- Case
- Diaphragm

3 soldering pins, Sn plated Brass  
 Maximum of 9.8N (1kgs) for 10 seconds load pull test  
 Plastic, Noryl PX9406 or equal  
 Ni Alloy Disc, N42  
 3.3 g

**Weight (Typical) Reliability**

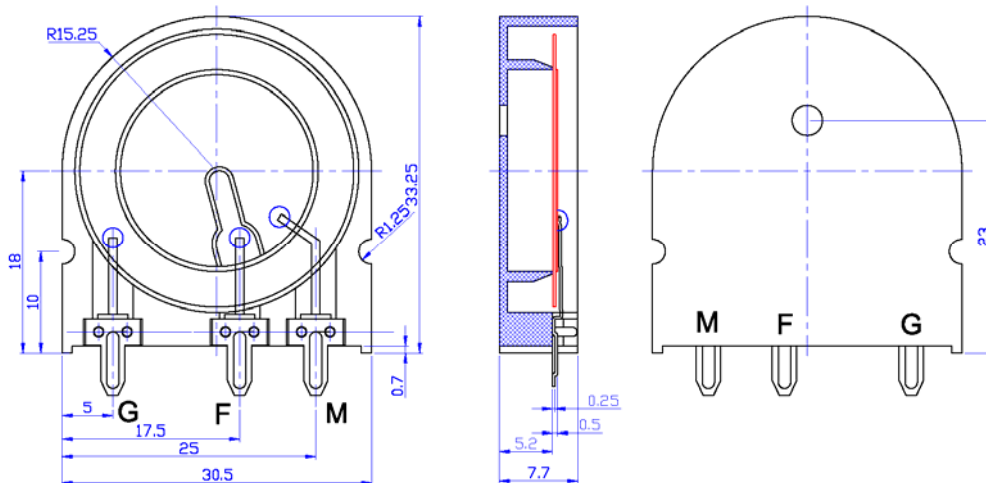
- \*Life Test
- \*High Temperature
- \*Low Temperature
- \*Humidity
- \*Thermal Shock
- \*Vibration
- \*Shock
- \*Drop Test
- \*Soldering Heat Resistance
- \*\*Solderability

At 12 VDC in room temperature, continuously for 1000 hours  
 No function at +90+/-2 °C for 240 hours; Function at +85+/-2 °C for 240 hours  
 No function at -40+/-2 °C for 240 hours; Function at -40+/-2 °C for 240 hours  
 +40+/-2 °C, 95+/-5%RH, 240 hours  
 -40+/-2 °C 0.5 hr → +25+/-2 °C 0.25 hr → +85+/-2 °C 0.5 hr → +25+/-2 °C 0.25 hr. Temperature Go up or Drop time is 0.5 hr. 3 hrs per 1 cycle. Total is 5 cycles  
 1.5mm with 10 to 50Hz of vibration frequency to each of 3 perpendicular directions for 2 hours  
 980m/s<sup>2</sup> (=100g) shock for each mutually perpendicular directions, half sine wave, 3 times each  
 Dropped naturally from 750mm height onto the surface of 10mm wooden board. 2 directions – upper and side of the part are applied  
 Lead terminals are immersed up to 1.5mm from sounder's body in solder bath of 350+/-5 °C for 3+/-0.5 seconds or 260+/-5 °C for 10+/-1 seconds  
 Lead terminals are immersed in rosin for 5 seconds and then immersed in solder bath of 350+/-5 °C for 3+/-0.5 seconds.

**Warranty**

For a period of one (1) year from date of manufacture under normal operations  
 \* All specifications must be satisfied after the test (Recovery:2 to 4 hrs of recovery under the standard condition after the removal from test chamber).  
 \*\*90% min. soldering pads shall be with solder.(except the edge of terminal)

**Dimensions (Unit:mm)**



All specifications are subject to change without notice

Composed by: Guo J/061206 Checked by: Gong YS, Zhu YC/061206 Approved by: Wang Z/061206



CHANGZHOU CHINASOUND ELECTRONICS CO., LTD.

Tel: +86-519-86182518 Fax: 86182519

http://www.chinasound.com

email: csound@jsmail.com.cn

### Revisions History

Version Number	Description	Name
061206	Original, CPF31A12-2.5R	Guo Jun

Composed by: Guo J/061206 Checked by: Gong YS, Zhu YC/061206 Approved by: Wang Z/061206

**ChinaSound**

**CHANGZHOU CHINASOUND ELECTRONICS CO., LTD.**

Tel: +86-519-86182518 Fax: 86182519

<http://www.chinasound.com>

email: [csound@jmail.com.cn](mailto:csound@jmail.com.cn)