

Description

Chinasound Piezo Transducer with Feedback disc, 24mm diameter, type Z(=11mm height), 12VDC rated voltage – 3.8KHz resonant frequency, RoHS compliant

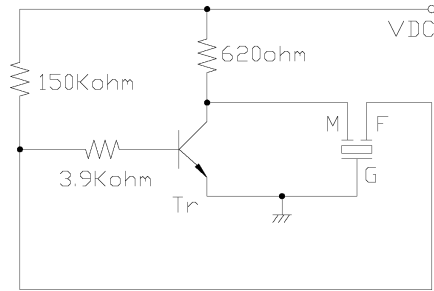
◆ **RoHS compliant**

- ◆ Corrosion Resistant
- ◆ Reliable Solid State Piezoelectric Technology
- ◆ Flame Retardant Plastic

Picture



Driving Circuit



Tr:2SC1815Y or equivalent

Specification

- Rated Voltage
- Operating Voltage
- Operating Frequency
- Typical Sound Output
- Rated Current
- Capacitance
- Operating Temp.
- Storage Temperature
- Termination

12 VDC
 3 ~ 25 VDC.
 3,800+/-500Hz
 90dB min. at 12VDC 30cm 25 °C
 12 mA at 12VDC 25 °C
 15,000+/-30% pF at 100Hz 1Vrms
 -40 °C to +85 °C
 -40 °C to +90 °C

Construction Materials

- Weight (Typical)
- Reliability

- Description
- Termination Strength
- Case
- Diaphragm

3 soldering pins, Sn plated Brass
 Maximum of 9.8N (1kgs) for 10 seconds load pull test
 Plastic, Noryl PX9406 or equal
 Ni Alloy Disc, N42
 3.3 g

- *Life Test
- *High Temperature
- *Low Temperature
- *Humidity
- *Thermal Shock
- *Vibration
- *Shock
- *Drop Test

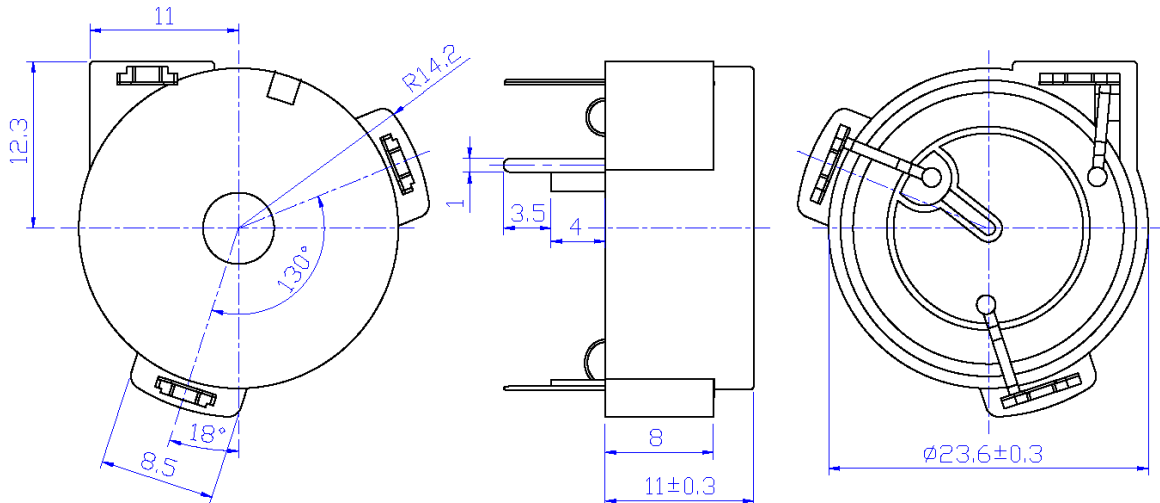
At 12 VDC in room temperature, continuously for 1000 hours
 No function at +90+/-2 °C for 240 hours; Function at +85+/-2 °C for 240 hours
 No function at -40+/-2 °C for 240 hours; Function at -40+/-2 °C for 240 hours
 +40+/-2 °C, 95+/-5%RH, 240 hours
 -40+/-2 °C 0.5 hr → +25+/-2 °C 0.25 hr → +85+/-2 °C 0.5 hr → +25+/-2 °C 0.25 hr. Temperature Go up or Drop time is 0.5 hr. 3 hrs per 1 cycle. Total is 5 cycles
 1.5mm with 10 to 50Hz of vibration frequency to each of 3 perpendicular directions for 2 hours
 980m/s² (=100g) shock for each mutually perpendicular directions, half sine wave, 3 times each
 Dropped naturally from 750mm height onto the surface of 10mm wooden board. 2 directions – upper and side of the part are applied
 Lead terminals are immersed up to 1.5mm from sounder's body in solder bath of 350+/-5 °C for 3+/-0.5 seconds or 260+/-5 °C for 10+/-1 seconds
 Lead terminals are immersed in rosin for 5 seconds and then immersed in solder bath of 350+/-5 °C for 3+/-0.5 seconds.

- *Soldering Heat Resistance
- **Solderability

Warranty

For a period of one (1) year from date of manufacture under normal operations
 * All specifications must be satisfied after the test (Recovery:2 to 4 hrs of recovery under the standard condition after the removal from test chamber).
 **90% min. soldering pads shall be with solder.(except the edge of terminal)

Dimensions (Unit:mm)



All specifications are subject to change without notice

Composed by: Guo J/101231 Checked by: Gong YS, Zhu YC/101231 Approved by: Wang Z/101231



CHANGZHOU CHINASOUND ELECTRONICS CO., LTD.

Tel: +86-519-86182518 Fax: 86182519

http://www.chinasound.com
 email: csound@jmail.com.cn

Revisions History

Version Number	Description	Name
991015	Original, CPT24Z	Guo Jun
041015	Part number is changed to CPT24ZF12-3.8	Guo Jun
070319	Switched to RoHS compliant version, PN is change to CPT24ZF12-3.8R	Guo Jun
101231	Part number is changed to CPF24Z12-3.8R	Guo Jun

Composed by: Guo J/101231 Checked by: Gong YS, Zhu YC/101231 Approved by: Wang Z/101231

ChinaSound

CHANGZHOU CHINASOUND ELECTRONICS CO., LTD.

Tel: +86-519-86182518 Fax: 86182519

<http://www.chinasound.com>

email: csound@jmail.com.cn