

**Description**

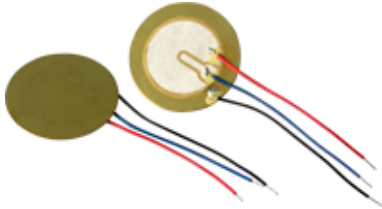
Chinasound Piezo Element 50mm diameter, Brass basic disc – 2.9KHz resonant frequency, type B (=with feedback) – Wire length 63.5mm, RoHS compliant

◆ RoHS compliant

◆ Reliable Solid State Piezoelectric Technology

◆ Smooth Frequency Curve

**Picture**



**Specification**

Resonant Frequency  
Resonant Impedance  
Capacitance at 100Hz  
Input Voltage  
Insulated Resistance  
Operating Temperature  
Storage Temperature  
Termination  
Construction Materials

Weight (Typical)  
Reliability

Description  
Case  
Diaphragm

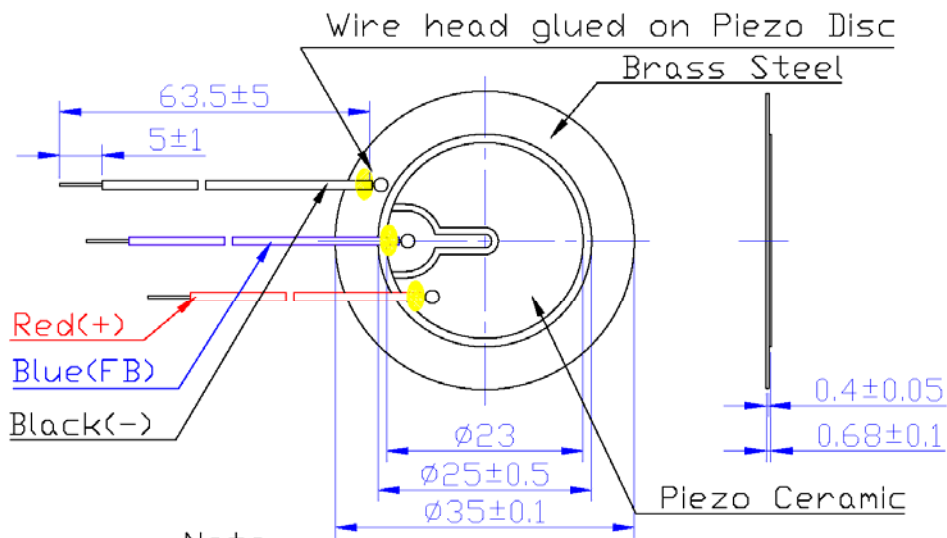
\*High Temperature  
\*Low Temperature  
\*Humidity  
\*Thermal Shock  
\*Vibration  
\*Shock  
\*Drop Test

2,900+/-500Hz  
500 Max. ohm  
28,000+/-30% pF at 100Hz 25 °C  
30Vp-p Max., square wave  
50M ohm Min.  
-40 °C to +85 °C  
-40 °C to +95 °C  
Wires, UL1569 AWG28#, Gray(+), Orange(-), Violet (feedback)  
No  
Brass Disc  
4.2 g  
no function at +80+/-2 °C for 240 hours, function at +70+/-2 °C for 240 hours,  
no function at -30+/-2 °C for 240 hours, function at -20+/-2 °C for 240 hours,  
+40+/-2 °C, 95+/-5%RH, 240 hours  
-20+/-2 °C 0.5 hr → +25+/-2 °C 0.25 hr → +70+/-2 °C 0.5 hr → +25+/-2 °C 0.25 hr.  
Temperature Go up or Drop time is 0.5 hr. 3 hrs per 1 cycle. Total is 5 cycles  
1.5mm with 10 to 50Hz of vibration frequency to each of 3 perpendicular directions for 2 hours  
980m/s<sup>2</sup> (=100g) shock for each mutually perpendicular directions, half sine wave, 3 times each  
Dropped naturally from 750mm height onto the surface of 10mm wooden board. 2 directions – upper and side of the part are applied

**Warranty**

\*All specifications must be satisfied after the test (Recovery:2 to 4 hrs of recovery under the standard condition after the removal from test chamber).

**Dimensions** (Unit:mm, Tolerance: +/-0.3mm)



Note:  
Wire: Tin plated UL 1571 AWG28#

All specifications are subject to change without notice

Composed by: Jack Guo / 090925 Checked by: Gao Li, Xiao W, Gong YS, Zhu YC /090925 Approved By: Wang Z / 090925



CHANGZHOU CHINASOUND ELECTRONICS CO., LTD.

Tel: +86-519-86182518 Fax: +86-519-6182519

http://www.chinasound.com  
email: csound@jmail.com.cn

## Revisions History

Version Number	Description	Name
070612	Original, CPE35B-2.9B-W63.5R	Lu Chunsheng
090925	(1) Wires are changed from UL1569 AWG28#, Gray(+), Violet(FB) and Orange (-) to UL1571 AWG28#, Red(+), Blue(FB) and Black(-) (2) Wire head near soldering point is glued on Piezo Disc.	Jack Guo