

Description

Chinasound Piezo Element 20mm diameter, Stainless steel basic disc – 7.2KHz resonant frequency, type A (=without feedback), UL1685 AWG32# Wire length 50mm, RoHS compliant

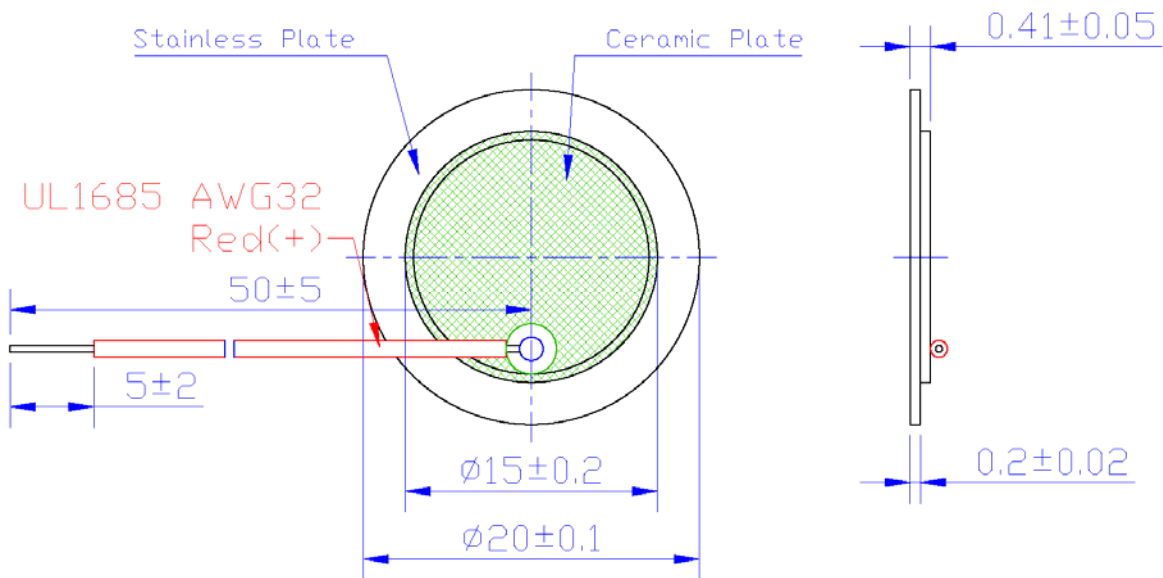
- ◆ RoHS compliant
- ◆ Reliable Solid State Piezoelectric Technology

Specification

Resonant Frequency		7,200+/-500Hz
Resonant Impedance		1000 Max. ohm
Capacitance at 100Hz		13,000+/-30% pF at 100Hz 25 °C
Input Voltage		30Vp-p Max., square wave
Insulated Resistance		50M ohm Min.
Operating Temperature		-20 °C to +70 °C
Storage Temperature		-30 °C to +80 °C
Termination	Description	UL1685 AWG32# Red(+) 50mm
Construction Materials	Case	No
	Diaphragm	Stainless Steel Disc
Test Point		-
Weight (Typical)		0.5 g
Reliability	*High Temperature	no function at +80+/-2 °C for 240 hours, function at +70+/-2 °C for 240 hours,
	*Low Temperature	no function at -30+/-2 °C for 240 hours, function at -20+/-2 °C for 240 hours,
	*Humidity	+40+/-2 °C, 95+/-5%RH, 240 hours
	*Thermal Shock	-20+/-2 °C 0.5 hr → +25+/-2 °C 0.25 hr → +70+/-2 °C 0.5 hr → +25+/-2 °C 0.25 hr. Temperature Go up or Drop time is 0.5 hr. 3 hrs per 1 cycle. Total is 5 cycles
	*Vibration	1.5mm with 10 to 50Hz of vibration frequency to each of 3 perpendicular directions for 2 hours
	*Shock	980m/s ² (=100g) shock for each mutually perpendicular directions, half sine wave, 3 times each
	*Drop Test	Dropped naturally from 750mm height onto the surface of 10mm wooden board. 2 directions – upper and side of the part are applied
Warranty		For a period of one (1) year from date of manufacture under normal operations

*All specifications must be satisfied after the test (Recovery:2 to 4 hrs of recovery under the standard condition after the removal from test chamber).

Dimensions (Unit:mm)



All specifications are subject to change without notice

Composed by: Guo Jun/100408 Checked by: Gao CL, Gong YS, Zhu YC/100408 Approved by: Wang Z/100408



CHANGZHOU CHINASOUND ELECTRONICS CO., LTD.

Tel: +86-519-86182518 Fax: +86-519-86182519
<http://www.chinasound.com> email: csound@jsmail.com.cn

Revisions History

Version Number	Description	Name
100408	Original, CPE20S-7.2A-W50R	Guo Jun

Composed by: Guo Jun/100408 Checked by: Gao CL, Gong YS, Zhu YC/100408 Approved by: Wang Z/100408

ChinaSound

CHANGZHOU CHINASOUND ELECTRONICS CO., LTD.

Tel: +86-519-86182518 Fax: +86-519-86182519

<http://www.chinasound.com> email: csound@jmail.com.cn