

Description

Chinasound Piezo Element 20mm diameter, Brass basic disc – 6.5KHz resonant frequency, type A (=without feedback), – Connector 09 (=A1251), Wire length 13mm, RoHS compliant

- ◆ RoHS compliant
- ◆ Reliable Solid State Piezoelectric Technology

Specification

Resonant Frequency
Resonant Impedance
Capacitance at 100Hz
Input Voltage
Insulated Resistance
Operating Temperature
Storage Temperature
Termination
Construction Materials

6,500+/-500Hz
1,000 Max. ohm
12,000+/-30% pF at 100Hz 25 °C
30Vp-p Max., square wave
50M ohm Min.
-20 °C to +70 °C
-30 °C to +80 °C
2 UL 1571 AWG 30# wires Red(+), Black(-) + A1251 connector

Test Point
Weight (Typical)
Reliability

Description
Case
Diaphragm

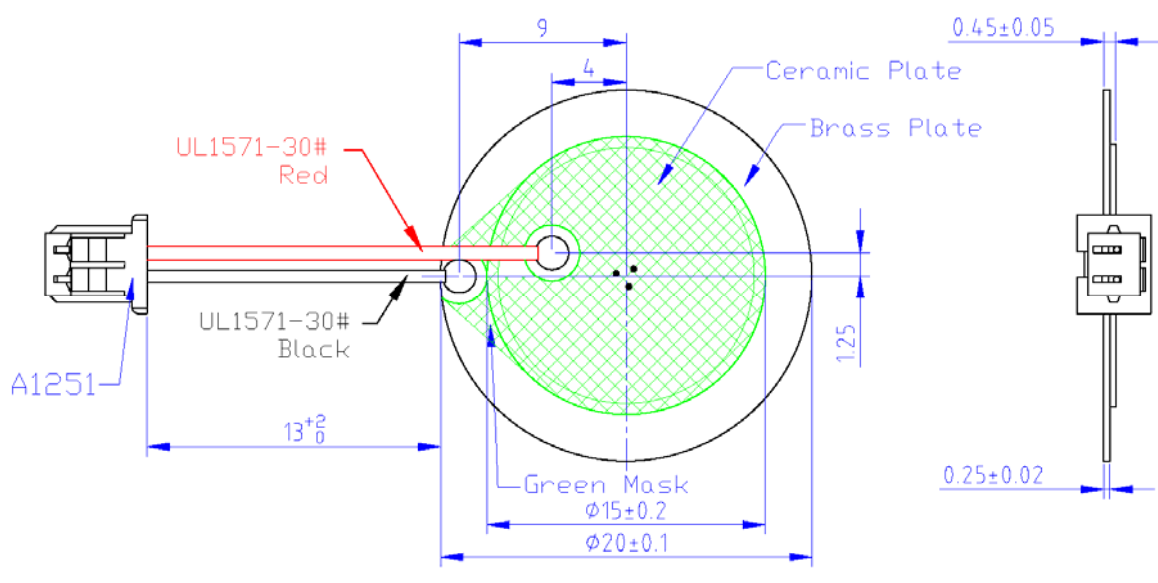
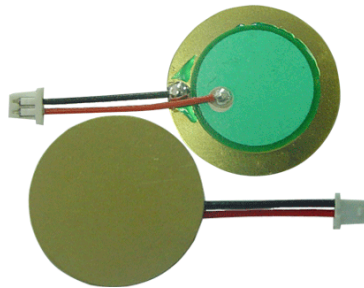
- *High Temperature
- *Low Temperature
- *Humidity
- *Thermal Shock
- *Vibration
- *Shock
- *Drop Test

No
Brass Alloy Disc
Within 1mm from edge of silver coat
0.9 g
no function at +80+/-2 °C for 240 hours, function at +70+/-2 °C for 240 hours,
no function at -30+/-2 °C for 240 hours, function at -20+/-2 °C for 240 hours,
+40+/-2 °C, 95+/-5%RH, 240 hours
-20+/-2 °C 0.5 hr → +25+/-2 °C 0.25 hr → +70+/-2 °C 0.5 hr → +25+/-2 °C 0.25 hr.
Temperature Go up or Drop time is 0.5 hr. 3 hrs per 1 cycle. Total is 5 cycles
1.5mm with 10 to 50Hz of vibration frequency to each of 3 perpendicular directions for 2 hours
980m/s² (=100g) shock for each mutually perpendicular directions, half sine wave, 3 times each
Dropped naturally from 750mm height onto the surface of 10mm wooden board. 2 directions – upper and side of the part are applied

Warranty

*All specifications must be satisfied after the test (Recovery:2 to 4 hrs of recovery under the standard condition after the removal from test chamber).

Dimensions (Unit:mm)



Polarity must be the same

All specifications are subject to change without notice

Composed by: Gao CL/090901

Checked by: Gong YS, Zhu YC/090901

Approved by: Wang Z/090901



CHANGZHOU CHINASOUND ELECTRONICS CO., LTD.

Tel: +86-519-86182518 Fax: +86-519-86182519

http://www.chinasound.com email: csound@jstmail.com.cn

Revisions History

Version Number	Description	Name
090901	Original,	Gao Chunli
100518	Capacitance at 100Hz is changed from 10,000+/-30% pF to 12,000+/-30% pF Polarity requirement is added	Gao Chunli

Composed by: Gao CL/090901

Checked by: Gong YS, Zhu YC/090901

Approved by: Wang Z/090901

ChinaSound

CHANGZHOU CHINASOUND ELECTRONICS CO., LTD.

Tel: +86-519-86182518 Fax: +86-519-86182519

<http://www.chinasound.com> email: csound@jssmail.com.cn