

Description

Chinasound Piezo Element, 12mm diameter, Ni alloy disc – 5.5KHz resonant frequency, A1(=without feedback, supper thin type) – Wire length 24mm, RoHS compliant

- ◆ Reliable Solid State Piezoelectric Technology
- ◆ Small and Thin

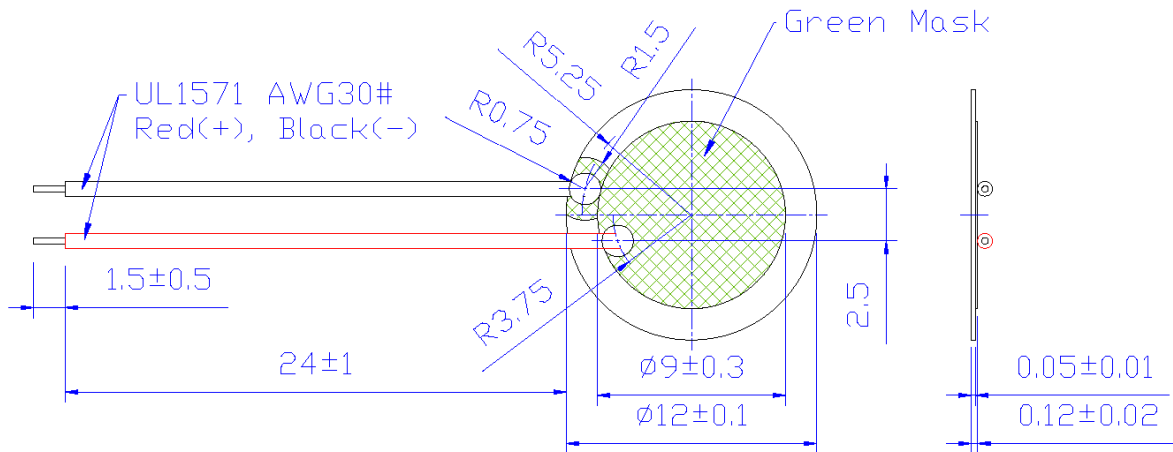
Specification

Resonant Frequency	5.5+/-0.5 KHz
Resonant Impedance	1,500 Max. ohm
Capacitance at 100Hz	15,000+/-30% pF at 100Hz 25 °C
Input Voltage	30V Max.
Insulated Resistance	50M ohm Min.
Operating Temperature	-20 °C to +70 °C
Storage Temperature	-30 °C to +80 °C
Termination	UL1571 AWG30#, Red(+), Black(-)
Construction Materials	Case No Diaphragm Ni Alloy Disc N42
Weight (Typical)	0.3g
Reliability	*High Temperature No function at +80+/-2 °C for 240 hours *Low Temperature No function at -30+/-2 °C for 240 hours *Humidity +40+/-2 °C, 95+/-5%RH, 240 hours *Thermal Shock -20+/-2 °C 0.5 hr → +25+/-2 °C 0.25 hr → +70+/-2 °C 0.5 hr → +25+/-2 °C 0.25 hr. Temperature Go up or Drop time is 0.5 hr. 3 hrs per 1 cycle. Total is 5 cycles *Vibration 1.5mm with 10 to 50Hz of vibration frequency to each of 3 perpendicular directions for 2 hours *Shock 980m/s ² (=100g) shock for each mutually perpendicular directions, half sine wave, 3 times each *Drop Test Dropped naturally from 750mm height onto the surface of 10mm wooden board. 2 directions – upper and side of the part are applied *Soldering Heat Resistance Soldering Temperature: 200 °C for 3 seconds

Warranty

*All specifications must be satisfied after the test (Recovery:2 to 4 hrs of recovery under the standard condition after the removal from test chamber).

Dimensions (Unit:mm)



All specifications are subject to change without notice

Composed by: Guo Jun/100929 Checked by: Gao CL, Gong YS, Zhu YC/100929 Approved by: Wang Z/100929



CHANGZHOU CHINASOUND ELECTRONICS CO., LTD.

Tel: +86-519-86182518 Fax: 86182519

<http://www.chinasound.com>

email: csound@jmail.com.cn

Revisions History

Version Number	Description	Name
100809	Original, CPE12N-5.5A1-W24R	Guo Jun
100929	Revise impedance from 1000ohm max. to 1500ohm max.	Guo Jun

Composed by: Guo Jun/100929 Checked by: Gao CL, Gong YS, Zhu YC/100929 Approved by: Wang Z/100929

ChinaSound

CHANGZHOU CHINASOUND ELECTRONICS CO., LTD.

Tel: +86-519-86182518 Fax: 86182519

<http://www.chinasound.com>

email: csound@jmail.com.cn