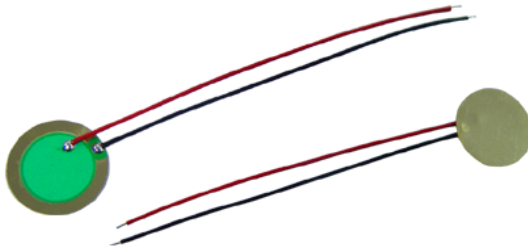


**Description**

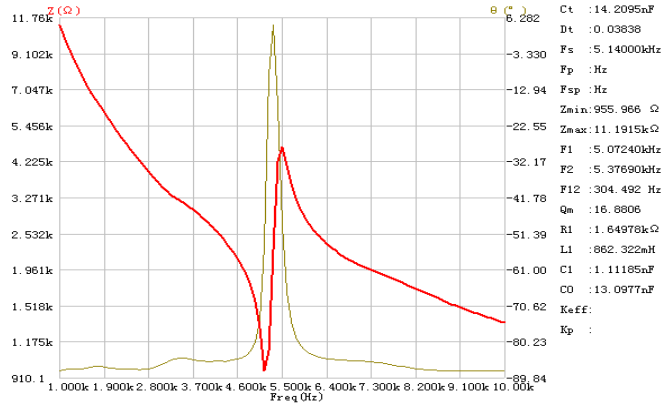
Chinasound Piezo Element 12mm diameter, Brass disc – 5.2KHz resonant frequency, type A (=without feedback) 1(=supper thin type), – Wire length 50mm, RoHS compliant

- ◆ RoHS compliant
- ◆ Reliable Solid State Piezoelectric Technology

**Picture**



**Characteristics**



**Specification**

- Resonant Frequency
- Resonant Impedance
- Capacitance at 100Hz
- Input Voltage
- Insulated Resistance
- Operating Temperature
- Storage Temperature
- Termination
- Construction Materials

5,200+/-600Hz  
 2000 Max. ohm  
 15,000+/-30% pF at 100Hz 25 °C  
 30Vp-p Max., square wave  
 50M ohm Min.  
 -20 °C to +70 °C  
 -30 °C to +80 °C  
 2 UL1571 AWG 32# wires Red(+), Black(-)

- Test Point
- Weight (Typical)
- Reliability

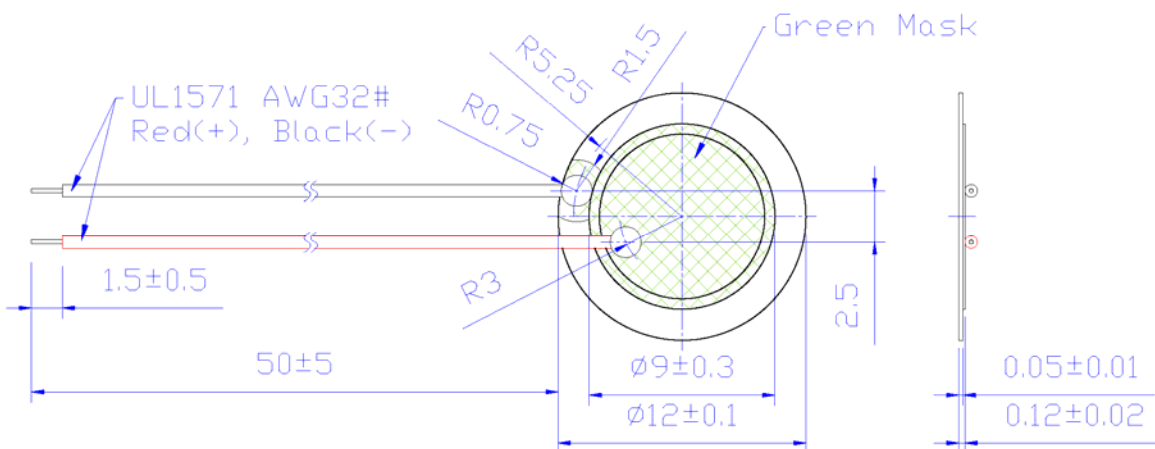
- Description
- Case
- Diaphragm

No  
 Brass, H65  
 Within 1mm from edge of silver coat  
 0.13 g  
 no function at +80+/-2 °C for 240 hours, function at +70+/-2 °C for 240 hours,  
 no function at -30+/-2 °C for 240 hours, function at -20+/-2 °C for 240 hours,  
 +40+/-2 °C, 95+/-5%RH, 240 hours  
 -20+/-2 °C 0.5 hr → +25+/-2 °C 0.25 hr → +70+/-2 °C 0.5 hr → +25+/-2 °C 0.25 hr. Temperature Go up  
 or Drop time is 0.5 hr. 3 hrs per 1 cycle. Total is 5 cycles  
 1.5mm with 10 to 50Hz of vibration frequency to each of 3 perpendicular directions for 2 hours  
 980m/s<sup>2</sup> (=100g) shock for each mutually perpendicular directions, half sine wave, 3 times each  
 Dropped naturally from 750mm height onto the surface of 10mm wooden board. 2 directions – upper  
 and side of the part are applied

**Warranty**

For a period of one (1) year from date of manufacture under normal operations  
 \*All specifications must be satisfied after the test (Recovery:2 to 4 hrs of recovery under the standard condition after the removal from test chamber).

**Dimensions (Unit:mm)**



specifications are subject to change without notice

Composed by: Shirley Huang/101224

Checked by: GaoCL, Gong YS, Zhu YC/101224

Approved by: Wang Z/101224



CHANGZHOU CHINASOUND ELECTRONICS CO., LTD.

Tel: +86-519-86182518 Fax: +86-519-86182519

http://www.chinasound.com email: csound@jstmail.com.cn

**Revisions History**

Version Number	Description	Name
101116	Original, CPE12B-4.9A1-W50R	Shirly Huang
101224	Resonant Frequency is changed from 4900+/-500Hz to 5200+/-600Hz Resonant Impedance is changed from 1600 max. ohm to 2000 max. ohm	Shirly Huang

Composed by: Shirly Huang/101224

Checked by: GaoCL, Gong YS, Zhu YC/101224

Approved by: Wang Z/101224

**ChinaSound**

**CHANGZHOU CHINASOUND ELECTRONICS CO., LTD.**

Tel: +86-519-86182518 Fax: +86-519-86182519

<http://www.chinasound.com> email: [csound@jsmail.com.cn](mailto:csound@jsmail.com.cn)