

Description

Chinasound Piezo Element, 09mm diameter, Brass basic disc – 15KHz resonant frequency, A1(=without feedback, supper thin type) – Wire length 30mm, RoHS compliant

- ◆ Reliable Solid State Piezoelectric Technology
- ◆ Small and Thin

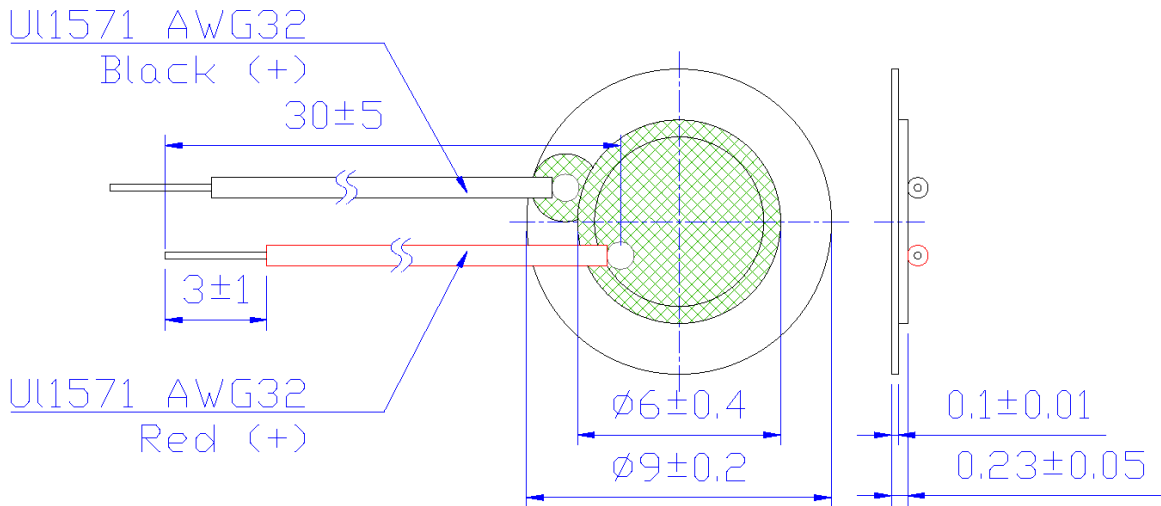
Specification

Resonant Frequency		15+/-1.5 KHz
Resonant Impedance		1,200 Max. ohm
Capacitance at 100Hz		3,500+/-30% pF at 100Hz 25 °C
Input Voltage		30V Max.
Insulated Resistance		50M ohm Min.
Operating Temperature		-20 °C to +70 °C
Storage Temperature		-30 °C to +80 °C
Termination	Description	UL1571 AWG32#, Red(+), Black(-)
Construction Materials	Case	No
	Diaphragm	Brass Disc
Weight (Typical)		g
Reliability	*High Temperature	No function at +80+/-2 °C for 240 hours
	*Low Temperature	No function at -30+/-2 °C for 240 hours
	*Humidity	+40+/-2 °C, 95+/-5%RH, 240 hours
	*Thermal Shock	-20+/-2 °C 0.5 hr → +25+/-2 °C 0.25 hr → +70+/-2 °C 0.5 hr → +25+/-2 °C 0.25 hr. Temperature Go up or Drop time is 0.5 hr. 3 hrs per 1 cycle. Total is 5 cycles
	*Vibration	1.5mm with 10 to 50Hz of vibration frequency to each of 3 perpendicular directions for 2 hours
	*Shock	980m/s ² (=100g) shock for each mutually perpendicular directions, half sine wave, 3 times each
	*Drop Test	Dropped naturally from 750mm height onto the surface of 10mm wooden board. 2 directions – upper and side of the part are applied
	*Soldering Heat Resistance	Soldering Temperature: 200 °C for 3 seconds

Warranty

*All specifications must be satisfied after the test (Recovery:2 to 4 hrs of recovery under the standard condition after the removal from test chamber).

Dimensions (Unit:mm)



All specifications are subject to change without notice

Composed by: Guo J/100930 Checked by: Gao CL, Gong YS, Zhu YC/100930 Approved by: Wang Z/100930



CHANGZHOU CHINASOUND ELECTRONICS CO., LTD.

Tel: +86-519-86182518 Fax: 86182519

<http://www.chinasound.com>

email: csound@jsmail.com.cn

Revisions History

Version Number	Description	Name
100930	Preliminary, CPE09B-15A1-W30R	Guo Jun

Composed by: Guo J/100930 Checked by: Gao CL, Gong YS, Zhu YC/100930 Approved by: Wang Z/100930

ChinaSound

CHANGZHOU CHINASOUND ELECTRONICS CO., LTD.

Tel: +86-519-86182518 Fax: 86182519

<http://www.chinasound.com>

email: csound@jsmail.com.cn