

**Description**

Chinasound Piezo Buzzer 42mm diameter, type B (=18mm height, 220VAC rated voltage – 2.8KHz resonant frequency – Wire length 150mm, RoHS compliant

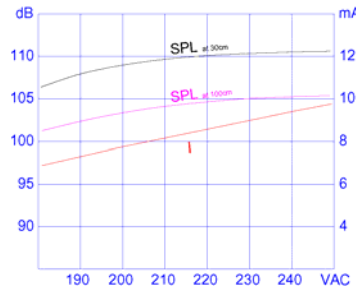
◆ **RoHS compliant**

- ◆ Reliable Solid State Piezoelectric Technology
- ◆ Corrosion Resistance Diaphragm if required
- ◆ Easily mounted

**Picture**



**Characteristics**



**Specification**

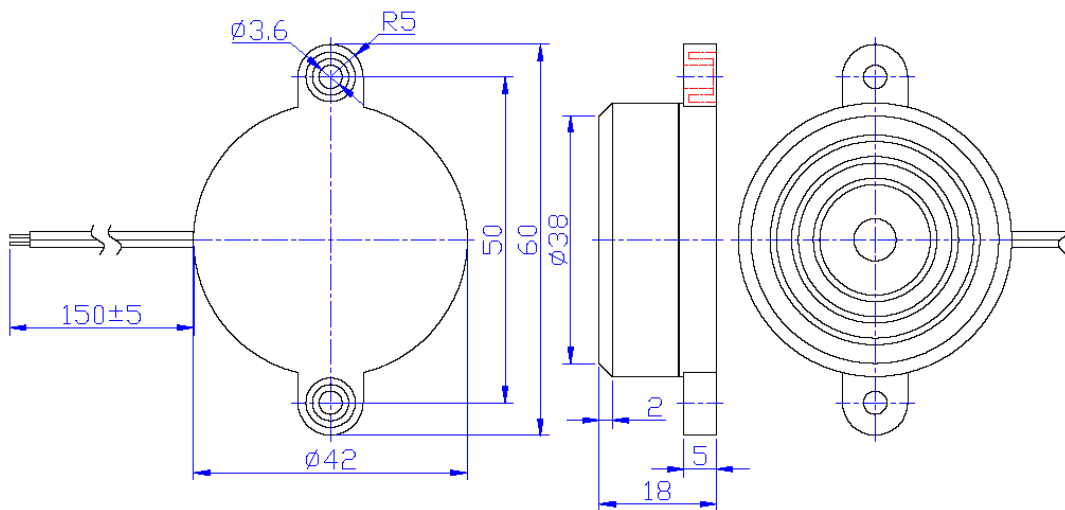
- Operating Mode
- Operating Voltage
- Operating Voltage
- Operating Frequency
- Sound Output
- Operating Current
- Operating Temperature
- Storage Temperature
- Termination
- Construction Materials
- Weight (Typical)
- Reliability

Continuous Tone  
 220 VAC  
 50 to 250 VAC  
 2800+/-500Hz  
 98dB(A) min. at 220VAC 30cm 25 °C  
 10mA max. at 220VAC  
 -20 °C to +70 °C  
 -30 °C to +80 °C  
 2 Wires, UL1571 AWG28#, Red (+), Black (-)  
 Maximum of 9.8N load pull test, applied to each terminal in axial direction for 10 seconds  
 Plastic, Black ABS 757  
 Brass Disc  
 17 g  
 At rated voltage in room temperature continuously for 1000 hours  
 No function at +80+/-2 °C for 240 hours; Function at +70+/-2 °C for 240 hours  
 No function at -30+/-2 °C for 240 hours; Function at -20+/-2 °C for 240 hours  
 +60 +/-2 °C, 90-95%RH, 120 hours  
 -20+/-2 °C 1 hr → +20 +/-2 °C 5 min. → +70+/-2 °C 1 hr → +20+/-2 °C 5 min. 5 cycles  
 1.5mm with 10 to 50Hz of vibration frequency to each of 3 perpendicular directions for 2 hours  
 980m/s<sup>2</sup> (=100g) shock for each mutually perpendicular directions, half sine wave, 3 times each  
 Dropped naturally from 700mm height onto the surface of 10mm wooden board. 2 directions – upper and side of the part are applied  
 Pins are immersed up to 1.5mm from sounder's body in solder bath of 350+/-5 °C for 3±0.5 seconds or 260+/-5 °C for 10+/-1 seconds  
 Lead terminals are immersed in rosin for 5 seconds and then immersed in solder bath of 350+/-5 °C for 3+/-0.5 seconds.

**Warranty**

For a period of one (1) year from date of manufacture under normal operations  
 \* All specifications must be satisfied after the test (Recovery:2 to 4 hrs of recovery under the standard condition after the removal from test chamber).  
 \*\*90% min. soldering pads shall be with solder.(except the edge of pad)

**Dimensions (Unit:mm)**



All specifications are subject to change without notice

Composed by: Guo Jun/040930 Checked by: Gong YS, Zhu YC/040930 Approved by: Wang Z/040930



CHANGZHOU CHINASOUND ELECTRONICS CO., LTD.

Tel: +86-519-86182518 Fax: 86182519

http://www.chinasound.com e

mail: csound@jsmail.com.cn

**Revisions History**

Version Number	Description	Name
040930	Original, CPB42B220-2.8-W150R	Guo Jun

Composed by: Guo Jun/040930 Checked by: Gong YS, Zhu YC/040930 Approved by: Wang Z/040930

**ChinaSound**

**CHANGZHOU CHINASOUND ELECTRONICS CO., LTD.**

Tel: +86-519-86182518 Fax: 86182519

<http://www.chinasound.com> e

mail: [csound@jmail.com.cn](mailto:csound@jmail.com.cn)