

Description

Chinasound Piezo Buzzer 41.5(<42)mm diameter, type A (=16mm height, 12VDC rated voltage – 2.9KHz resonant frequency, Intermittent tone – Wire length 150mm, RoHS compliant

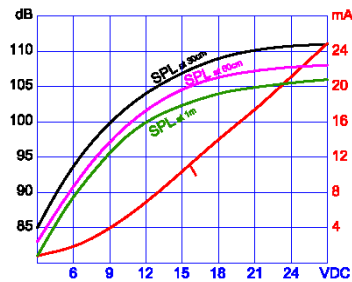
◆ RoHS compliant

- ◆ Reliable Solid State Piezoelectric Technology
- ◆ Corrosion Resistance Diaphragm if required
- ◆ Easily mounted

Picture



Characteristics



Specification

- Operating Mode
- Operating Voltage
- Operating Voltage
- Operating Frequency
- Sound Output
- Operating Current
- Operating Temperature
- Storage Temperature
- Termination
- Construction Materials
- Weight (Typical)
- Reliability

- Description
- Termination Strength
- Case
- Diaphragm

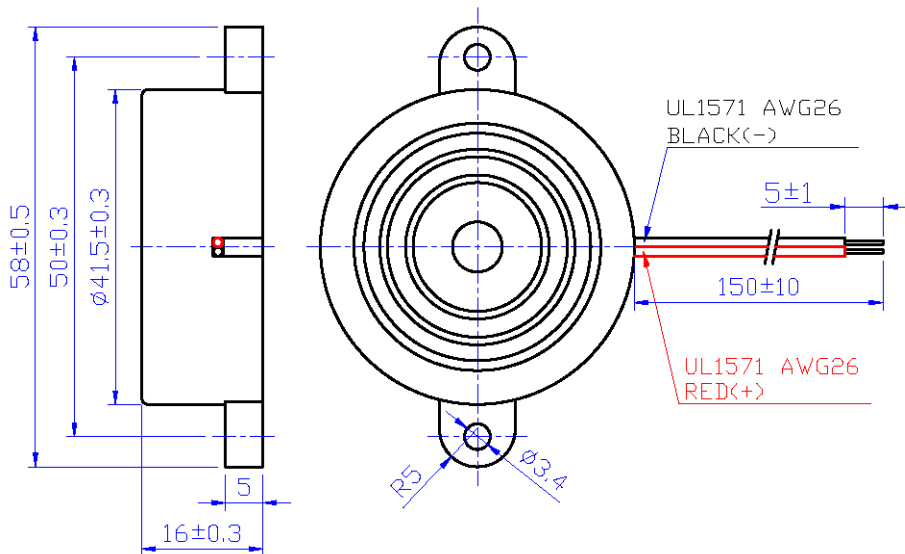
- *Life Test
- *High Temperature
- *Low Temperature
- *Humidity
- *Thermal Shock
- *Vibration
- *Shock
- *Drop Test
- *Soldering Heat Resistance
- **Solderability

Intermittent Tone, pulse 1.2+/-20% Hz
 12 Vdc
 3 to 24 Vdc
 2900+/-500Hz
 95dB(A) min. (100 dBA typ.) at 12Vdc 30cm 25 °C
 10mA max. at 12Vdc
 -20 °C to +70 °C
 -30 °C to +80 °C
 2 Wires, UL1571 AWG28#, Red (+), Black (-)
 Maximum of 9.8N load pull test, applied to each terminal in axial direction for 10 seconds
 Plastic, Black ABS 757
 Brass Disc
 13 g
 At rated voltage in room temperature continuously for 1000 hours
 No function at +80+/-2 °C for 240 hours; Function at +70+/-2 °C for 240 hours
 No function at -30+/-2 °C for 240 hours; Function at -20+/-2 °C for 240 hours
 +60 +/-2 °C, 90-95%RH, 120 hours
 -20+/-2 °C 1 hr → +20 +/-2 °C 5 min. → +70+/-2 °C 1 hr → +20+/-2 °C 5 min. 5 cycles
 1.5mm with 10 to 50Hz of vibration frequency to each of 3 perpendicular directions for 2 hours
 980m/s² (=100g) shock for each mutually perpendicular directions, half sine wave, 3 times each
 Dropped naturally from 700mm height onto the surface of 10mm wooden board. 2 directions – upper and side of the part are applied
 Pins are immersed up to 1.5mm from sounder's body in solder bath of 350+/-5 °C for 3±0.5 seconds or 260+/-5 °C for 10+/-1 seconds
 Lead terminals are immersed in rosin for 5 seconds and then immersed in solder bath of 350+/-5 °C for 3+/-0.5 seconds.

Warranty

* All specifications must be satisfied after the test (Recovery:2 to 4 hrs of recovery under the standard condition after the removal from test chamber).
 **90% min. soldering pads shall be with solder.(except the edge of pad)

Dimensions (Unit:mm)



All specifications are subject to change without notice

Composed by: Guo J/060410 Checked by: Gong YS, Zhu YC/060410 Approved by: Wang Z/060410



CHANGZHOU CHINASOUND ELECTRONICS CO., LTD.
 Tel: +86-519-86182518 Fax: 86182519
<http://www.chinasound.com>
 email: csound@jsmail.com.cn

Revisions History

Version Number	Description	Name
041010	Original, CPB42A12-2.9I-W150	Guo Jun
060410	Switched to RoHS compliant version, PN is changed to CPB42A12-2.9T-W150R	Guo Jun

Composed by: Guo J/060410 Checked by: Gong YS, Zhu YC/060410 Approved by: Wang Z/060410

ChinaSound

CHANGZHOU CHINASOUND ELECTRONICS CO., LTD.

Tel: +86-519-86182518 Fax: 86182519

<http://www.chinasound.com>
email: csound@jmail.com.cn