

Description

Chinasound Piezo Buzzer 40mm diameter, type A (=20mm height), 24VDC rated voltage – 3.2KHz resonant frequency – RoHS compliant

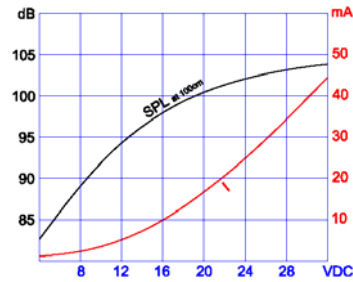
◆ **RoHS compliant**

- ◆ Reliable Solid State Piezoelectric Technology
- ◆ Flame Retardant Plastic
- ◆ Corrosion Resistance Diaphragm if required

Picture



Characteristics



Specification

- Operating Mode
- Operating Voltage
- Operating Voltage
- Operating Frequency
- Sound Output
- Operating Current
- Operating Temperature
- Storage Temperature
- Termination

Continuous Tone
 24 Vdc
 3 to 30 Vdc
 3,200+/-400Hz
 100dB min. at 24Vdc 100cm 25 °C
 40mA max. at 24Vdc
 -20 °C to +70 °C
 -30 °C to +80 °C

Construction Materials

- Description
- Termination Strength
- Case
- Diaphragm

2 PC pins, electro-tin plated brass
 Maximum of 9.8N load pull test
 Plastic, NORYL® PX9406 Black
 Stainless Steel Disc 304
 12.6 g

**Weight (Typical)
Reliability**

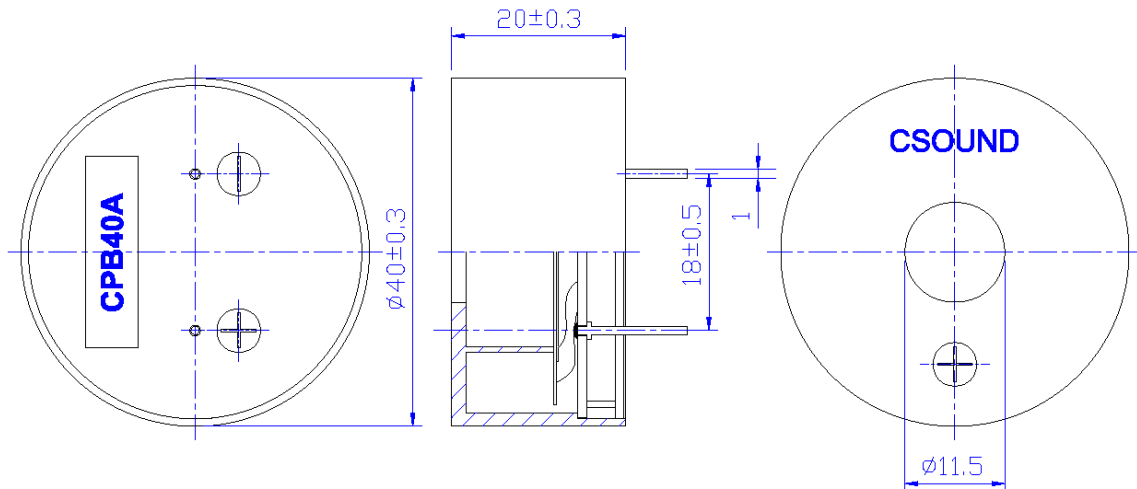
- *Life Test
- *High Temperature
- *Low Temperature
- *Humidity
- *Thermal Shock
- *Vibration
- *Shock
- *Drop Test
- *Soldering Heat Resistance
- **Solderability

At rated voltage in room temperature, 1 cycle = 1 min. ON 4 min. OFF, continuously for 1000 hours
 No function at +80+/-2 °C for 240 hours; Function at +70+/-2 °C for 240 hours
 No function at -30+/-2 °C for 240 hours; Function at -20+/-2 °C for 240 hours
 +60 +/-2 °C, 90-95%RH, 120 hours
 -20+/-2 °C 1 hr → +20 +/-2 °C 5 min. → +70+/-2 °C 1 hr → +20+/-2 °C 5 min. 5 cycles
 1.5mm with 10 to 50Hz of vibration frequency to each of 3 perpendicular directions for 2 hours
 980m/s² (=100g) shock for each mutually perpendicular directions, half sine wave, 3 times each
 Dropped naturally from 700mm height onto the surface of 10mm wooden board. 2 directions – upper and side of the part are applied
 Pins are immersed up to 1.5mm from sounder's body in solder bath of 350+/-5 °C for 3+/-0.5 seconds or 260+/-5 °C for 10+/-1 seconds
 Lead terminals are immersed in rosin for 5 seconds and then immersed in solder bath of 350+/-5 °C for 3+/-0.5 seconds.

Warranty

* All specifications must be satisfied after the test (Recovery:2 to 4 hrs of recovery under the standard condition after the removal from test chamber).
 **90% min. soldering pads shall be with solder.(except the edge of pad)

Dimensions (Unit:mm, Tolerance: +/-0.5mm)



All specifications are subject to change without notice.

Composed by: Guo J/070910 Checked by: Gong YS, Zhu YC/070910 Approved by: Wang Z/070910



CHANGZHOU CHINASOUND ELECTRONICS CO., LTD.
 Tel: +86-519-86182518 Fax: +86-519-86182519
<http://www.chinasound.com>
 email: csound@jsmail.com.cn

Revisions History

Version Number	Description	Name
070910	Original, CPB40A24-3.2R	Guo Jun

Composed by: Guo J/070910 Checked by: Gong YS, Zhu YC/070910 Approved by: Wang Z/070910

ChinaSound

CHANGZHOU CHINASOUND ELECTRONICS CO., LTD.

Tel: +86-519-86182518 Fax: +86-519-86182519

<http://www.chinasound.com>

email: csound@jsmail.com.cn