

Description

Chinasound Piezo Buzzer 30mm diameter, type B (=20mm height), 12VDC rated voltage – High sound output 3.6KHz resonant frequency, Intermittent tone, RoHS compliant

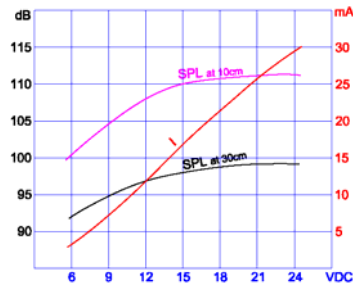
◆ RoHS compliant

- ◆ Reliable Solid State Piezoelectric Technology
- ◆ Flame Retardant Plastic
- ◆ Corrosion Resistance Diaphragm if required

Picture



Characteristics



Specification

- Operating Mode
- Operating Voltage
- Operating Voltage
- Operating Frequency
- Sound Output
- Operating Current
- Operating Temperature
- Storage Temperature
- Termination
- Construction Materials
- Weight (Typical)
- Reliability

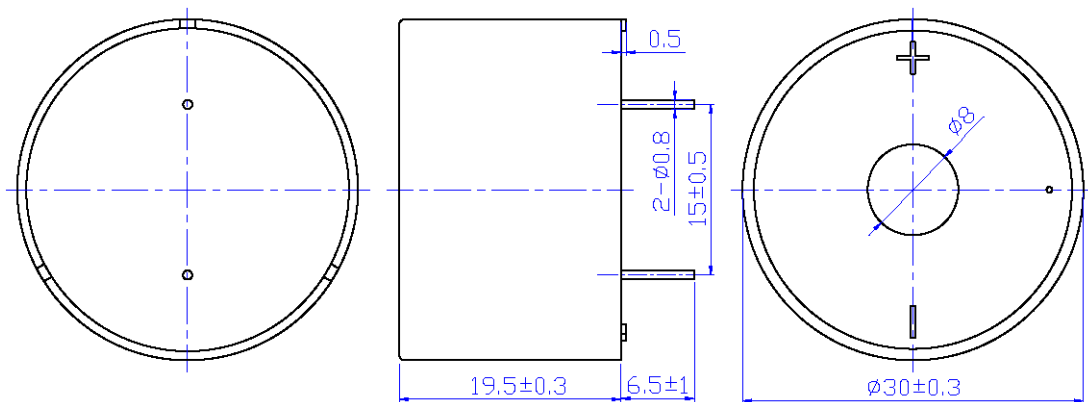
- Description
- Termination Strength
- Case
- Diaphragm
- *Life Test
- *High Temperature
- *Low Temperature
- *Humidity
- *Thermal Shock
- *Vibration
- *Shock
- *Drop Test
- *Soldering Heat Resistance
- **Solderability

Intermittent Tone
 12 Vdc
 3 to 20 Vdc
 3,600+/-500Hz
 100dB(A) min. at 12Vdc 10cm 25 °C
 15mA max. at 12Vdc
 -40 °C to +85 °C
 -40 °C to +90 °C
 2 PC pins, electro-tin plated brass
 Maximum of 9.8N load pull test, applied to each terminal in axial direction for 10 seconds
 Plastic, Noryl PX9406 (Black) made by GE Plastics, UL 94-V0 (UL No.: E207780)
 Brass Disc
 8 g
 At rated voltage in room temperature, 1 cycle = 1 min. ON 4 min. OFF, continuously for 1000 hours
 No function at +90+/-2 °C for 240 hours; Function at +85+/-2 °C for 240 hours
 No function at -40+/-2 °C for 240 hours; Function at -40+/-2 °C for 240 hours
 +60 +/-2 °C, 90-95%RH, 120 hours
 -40+/-2 °C 1 hr → +20 +/-2 °C 5 min. → +85+/-2 °C 1 hr → +20+/-2 °C 5 min. 5 cycles
 1.5mm with 10 to 50Hz of vibration frequency to each of 3 perpendicular directions for 2 hours
 980m/s² (=100g) shock for each mutually perpendicular directions, half sine wave, 3 times each
 Dropped naturally from 700mm height onto the surface of 10mm wooden board. 2 directions – upper and side of the part are applied
 Pins are immersed up to 1.5mm from sounder's body in solder bath of 350+/-5 °C for 3+/-0.5 seconds or 260+/-5 °C for 10+/-1 seconds
 Lead terminals are immersed in rosin for 5 seconds and then immersed in solder bath of 350+/-5 °C for 3+/-0.5 seconds.

Warranty

* All specifications must be satisfied after the test (Recovery:2 to 4 hrs of recovery under the standard condition after the removal from test chamber).
 **90% min. soldering pads shall be with solder.(except the edge of pad)

Dimensions (Unit:mm)



All specifications are subject to change without notice.

Composed by: Xiao Wen/090225 Checked by: Gong Yongsheng/090225 Approved by: Wang Zhen/090225



CHANGZHOU CHINASOUND ELECTRONICS CO., LTD.

Tel: +86-519-86182518 Fax: +86-519-86182519

http://www.chinasound.com email: csound@jsmail.com.cn

email: csound@jsmail.com.cn

Revisions History

Version Number	Description	Name
090225	Original RoHS compliant version	Xiao Wen

Composed by: Xiao Wen/090225 Checked by: Gong Yongsheng/090225 Approved by: Wang Zhen/090225

ChinaSound

CHANGZHOU CHINASOUND ELECTRONICS CO., LTD.

Tel: +86-519-86182518 Fax: +86-519-86182519

<http://www.chinasound.com> email: csound@jsmail.com.cn

email: csound@jsmail.com.cn