

Description

Chinasound Piezo Buzzer 27.8(<28mm) diameter, type A (=14.7 mm height), 12VDC rated voltage – 2.8KHz resonant frequency – Wire length 100mm, RoHS compliant

◆ RoHS compliant

- ◆ Reliable Solid State Piezoelectric Technology
- ◆ Corrosion Resistance Diaphragm if required

Picture



Characteristics



Specification

- Operating Mode
- Operating Voltage
- Operating Voltage
- Operating Frequency
- Sound Output
- Operating Current
- Operating Temperature
- Storage Temperature
- Termination
- Construction Materials
- Weight (Typical)
- Reliability

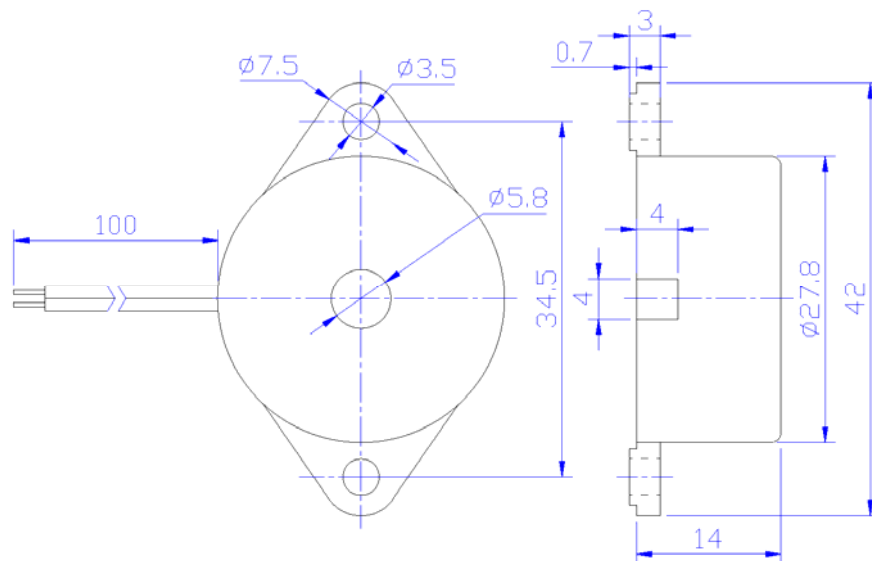
- Description
- Termination Strength
- Case
- Diaphragm
- *Life Test
- *High Temperature
- *Low Temperature
- *Humidity
- *Thermal Shock
- *Vibration
- *Shock
- *Drop Test
- *Soldering Heat Resistance
- **Solderability

Continuous Tone
 12 Vdc
 3 to 20 Vdc
 3800+/-500Hz
 90dB(A) min. at 12Vdc 10cm 25 °C
 10mA max. at 12Vdc
 -20 °C to +70 °C
 -30 °C to +80 °C
 2 Wires, UL1571 AWG28# Red(+) Black(-)
 Maximum of 9.8N load pull test, applied to each terminal in axial direction for 10 seconds
 ABS757
 Brass Disc
 6.4 g
 At rated voltage in room temperature, 1 cycle = 1 min. ON 4 min. OFF, continuously for 1000 hours
 No function at +80+/-2 °C for 240 hours; Function at +70+/-2 °C for 240 hours
 No function at -30+/-2 °C for 240 hours; Function at -20+/-2 °C for 240 hours
 +60 +/-2 °C, 90-95%RH, 120 hours
 -20+/-2 °C 1 hr → +20 +/-2 °C 5 min. → +70+/-2 °C 1 hr → +20+/-2 °C 5 min. 5 cycles
 1.5mm with 10 to 50Hz of vibration frequency to each of 3 perpendicular directions for 2 hours
 980m/s² (=100g) shock for each mutually perpendicular directions, half sine wave, 3 times each
 Dropped naturally from 700mm height onto the surface of 10mm wooden board. 2 directions – upper and side of the part are applied
 Pins are immersed up to 1.5mm from sounder's body in solder bath of 350+/-5 °C for 3+/-0.5 seconds or 260+/-5 °C for 10+/-1 seconds
 Lead terminals are immersed in rosin for 5 seconds and then immersed in solder bath of 350+/-5 °C for 3+/-0.5 seconds.

Warranty

For a period of one (1) year from date of manufacture under normal operations
 * All specifications must be satisfied after the test (Recovery:2 to 4 hrs of recovery under the standard condition after the removal from test chamber).
 **90% min. soldering pads shall be with solder.(except the edge of pad)

Dimensions (Unit:mm)



All specifications are subject to change without notice.

Composed by: Guo Jun/080926 Checked by: Gong YS, Zhu YC/080926 Approved by: Wang Z/080926



CHANGZHOU CHINASOUND ELECTRONICS CO., LTD.

Tel: +86-519-86182518 Fax: 86182519

http://www.chinasound.com
 email: csound@jsmail.com.cn

Revisions History

Version Number	Description	Name
080926	Original, CPB28A12-2.8-W100R	Guo Jun

Composed by: Guo Jun/080926 Checked by: Gong YS, Zhu YC/080926 Approved by: Wang Z/080926

ChinaSound

CHANGZHOU CHINASOUND ELECTRONICS CO., LTD.

Tel: +86-519-86182518 Fax: 86182519

<http://www.chinasound.com>
email: csound@jmail.com.cn