

**Description**

Chinasound Piezo Buzzer 24mm diameter, type C (=17.5mm height), 12VDC rated voltage – High sound output level, 4.0KHz resonant frequency, RoHS compliant

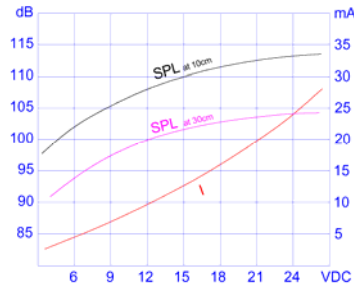
◆ **RoHS compliant**

- ◆ Reliable Solid State Piezoelectric Technology
- ◆ Flame Retardant Plastic
- ◆ Corrosion Resistance Diaphragm if required

**Picture**



**Characteristics**



**Specification**

- Operating Mode
- Operating Voltage
- Operating Voltage
- Operating Frequency
- Sound Output
- Operating Current
- Operating Temperature
- Storage Temperature
- Termination

**Construction Materials**

- Weight (Typical)
- Reliability

- Description
- Termination Strength
- Case
- Diaphragm

- \*Life Test
- \*High Temperature
- \*Low Temperature
- \*Humidity
- \*Thermal Shock
- \*Vibration
- \*Shock
- \*Drop Test
- \*Soldering Heat Resistance
- \*\*Solderability

Continuous Tone

12 Vdc  
3 to 20 Vdc  
4000+/-500Hz  
95dB(A) min. (105dBA typ.) at 12Vdc 10cm 25 °C  
12mA max. at 12Vdc  
-40 °C to +85 °C  
-40 °C to +90 °C

2 PC pins, electro-tin plated brass

Maximum of 9.8N load pull test, applied to each terminal in axial direction for 10 seconds

Plastic, NORYL® PX9406 Black

Brass Disc

5 g

At rated voltage in room temperature continuously for 1000 hours

No function at +90+/-2 °C for 240 hours; Function at +85+/-2 °C for 240 hours

No function at -40+/-2 °C for 240 hours; Function at -40+/-2 °C for 240 hours

+60 +/-2 °C, 90-95%RH, 120 hours

-40+/-2 °C 1 hr → +20 +/-2 °C 5 min. → +85+/-2 °C 1 hr → +20+/-2 °C 5 min. 5 cycles

1.5mm with 10 to 50Hz of vibration frequency to each of 3 perpendicular directions for 2 hours

980m/s<sup>2</sup> (=100g) shock for each mutually perpendicular directions, half sine wave, 3 times each

Dropped naturally from 700mm height onto the surface of 10mm wooden board. 2 directions – upper and side of the part are applied

Pins are immersed up to 1.5mm from sounder's body in solder bath of 350+/-5 °C for 3+/-0.5 seconds or 260+/-5 °C for 10+/-1 seconds

Lead terminals are immersed in rosin for 5 seconds and then immersed in solder bath of 350+/-5 °C for 3+/-0.5 seconds.

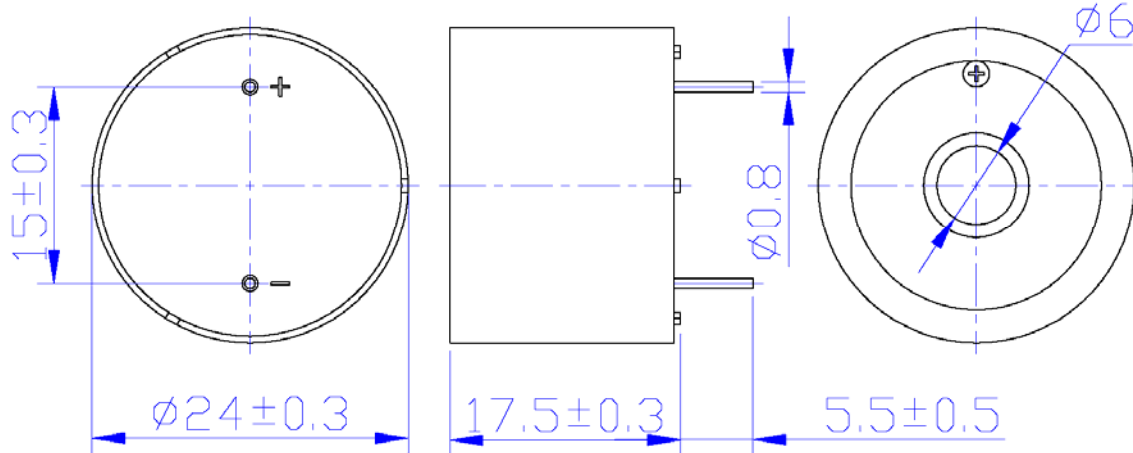
For a period of one (1) year from date of manufacture under normal operations

**Warranty**

\* All specifications must be satisfied after the test (Recovery:2 to 4 hrs of recovery under the standard condition after the removal from test chamber).

\*\*90% min. soldering pads shall be with solder.(except the edge of pad)

**Dimensions (Unit:mm)**



All specifications are subject to change without notice

Composed by: Guo Jun/070308 Checked by: Gong YS, Zhu YC/070308 Approved by: Wang Z/070308



CHANGZHOU CHINASOUND ELECTRONICS CO., LTD.

Tel: +86-519-86182518 Fax: +86-519-86182519

<http://www.chinasound.com>

email: [csound@jsmail.com.cn](mailto:csound@jsmail.com.cn)

## Revisions History

Version Number	Description	Name
000302	Original, CPB24C	Guo Jun
041010	Part Number is changed to CPB24C12-4.0	Guo Jun
060316	Switched to RoHS complaint version, CPB24C12-4.0R	Guo Jun
070308	"H" is added in Part Number to address Sound Output is increased by improved circuit with inductance.	Guo Jun

Composed by: Guo Jun/070308    Checked by: Gong YS, Zhu YC/070308    Approved by: Wang Z/070308

**ChinaSound**

**CHANGZHOU CHINASOUND ELECTRONICS CO., LTD.**

Tel: +86-519-86182518    Fax: +86-519-86182519

<http://www.chinasound.com>  
email: csound@jmail.com.cn