

Description

Chinasound Piezo Buzzer 23.8(<24mm) diameter, type A (=16mm height), 09VDC rated voltage – High sound output with self-transformer inside, 3.2KHz resonant frequency, RoHS compliant

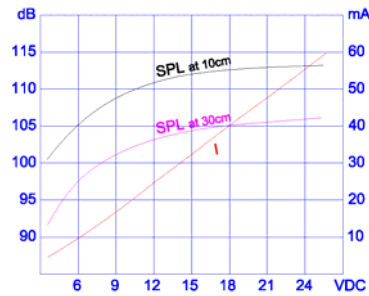
◆ RoHS compliant

- ◆ Reliable Solid State Piezoelectric Technology
- ◆ Flame Retardant Plastic
- ◆ Corrosion Resistance Diaphragm if required

Picture



Characteristics



Specification

- Operating Mode
- Operating Voltage
- Operating Voltage
- Operating Frequency
- Sound Output
- Operating Current
- Operating Temperature
- Storage Temperature
- Termination

Continuous Tone

9 Vdc

3 to 20 Vdc

3,200+/-500Hz

100dB(A) min. at 9Vdc 30cm 25 °C

35 mA max. at 12Vdc

-40 °C to +85 °C

-40 °C to +90 °C

2 PC pins, electro-tin plated brass

Maximum of 9.8N load pull test, applied to each terminal in axial direction for 10 seconds

Plastic, Noryl PX9406 (Black) made by GE Plastics, UL 94-V0 (UL No.: E207780)

Brass Disc

5 g

At rated voltage in room temperature continuously for 1000 hours

No function at +90+/-2 °C for 240 hours; Function at +85+/-2 °C for 240 hours

No function at -40+/-2 °C for 240 hours; Function at -40+/-2 °C for 240 hours

+60 +/-2 °C, 90-95%RH, 120 hours

-40+/-2 °C 1 hr → +20 +/-2 °C 5 min. → +85+/-2 °C 1 hr → +20+/-2 °C 5 min. 5 cycles

1.5mm with 10 to 50Hz of vibration frequency to each of 3 perpendicular directions for 2 hours

980m/s² (=100g) shock for each mutually perpendicular directions, half sine wave, 3 times each

Dropped naturally from 700mm height onto the surface of 10mm wooden board. 2 directions – upper and side of the part are applied

Pins are immersed up to 1.5mm from sounder's body in solder bath of 350+/-5 °C for 3+/-0.5 seconds or 260+/-5 °C for 10+/-1 seconds

Lead terminals are immersed in rosin for 5 seconds and then immersed in solder bath of 350+/-5 °C for 3+/-0.5 seconds.

For a period of one (1) year from date of manufacture under normal operations

Construction Materials

Description

Termination Strength

Case

Diaphragm

Weight (Typical)

Reliability

***Life Test**

***High Temperature**

***Low Temperature**

***Humidity**

***Thermal Shock**

***Vibration**

***Shock**

***Drop Test**

***Soldering Heat Resistance**

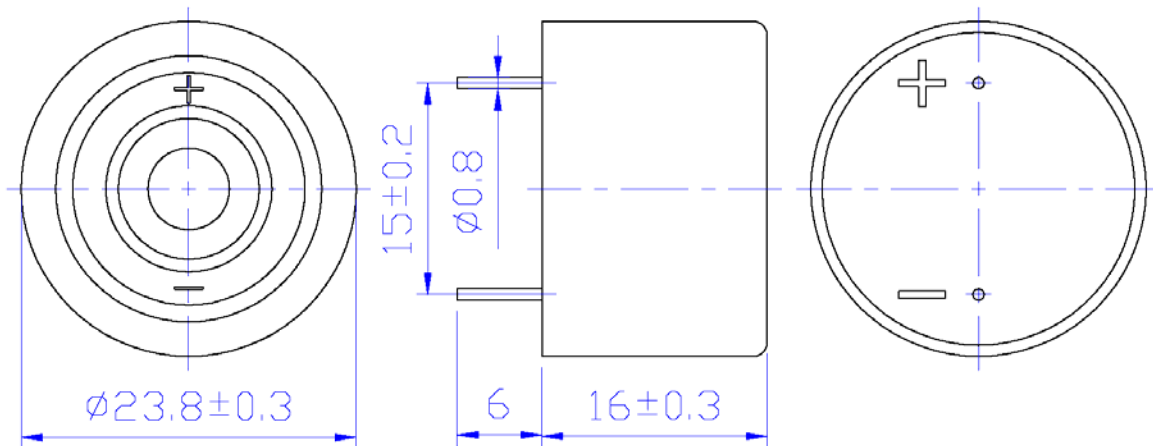
****Solderability**

Warranty

* All specifications must be satisfied after the test (Recovery:2 to 4 hrs of recovery under the standard condition after the removal from test chamber).

**90% min. soldering pads shall be with solder.(except the edge of pad)

Dimensions (Unit:mm)



All specifications are subject to change without notice

Composed by: Xiao W/090206 Checked by: Gong YS/090206 Approved by: Wang Z/090206



CHANGZHOU CHINASOUND ELECTRONICS CO., LTD.

Tel: +86-519-86182518 Fax: +86-519-86182519

<http://www.chinasound.com>

email: csound@jmail.com.cn

Revisions History

Version Number	Description	Name
080318	Original RoHS compliant version	Guo Jun
090206	Add Revisions History	Xiao Wen

Composed by: Xiao W/090206 Checked by: Gong YS/090206 Approved by: Wang Z/090206

ChinaSound

CHANGZHOU CHINASOUND ELECTRONICS CO., LTD.

Tel: +86-519-86182518 Fax: +86-519-86182519

<http://www.chinasound.com>
email: csound@jmail.com.cn