

Description

Chinasound Piezo Alarm 60mm diameter, type K(=37.5mm height), 3 to 30 VDC rated voltage, intermittent tone, Ultra loud, Wire type RoHS compliant

- ◆ RoHS compliant
- ◆ Reliable Solid State Piezoelectric Technology
- ◆ Intermittent Tone
- ◆ Wide Operating Voltage

Picture



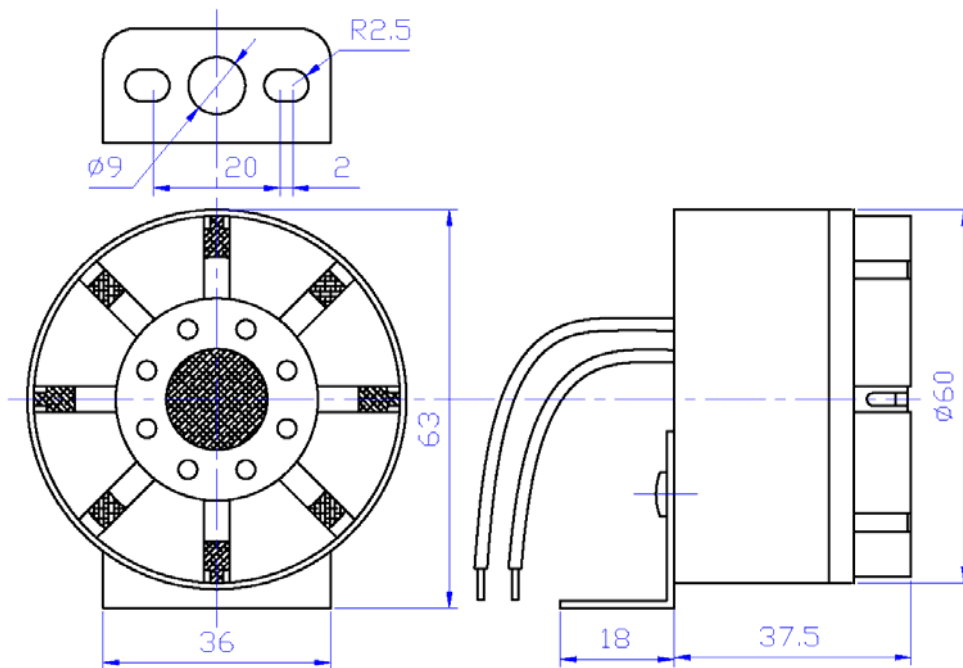
Specification

Tone	Intermittent, Ultra Loud
Operating Voltage	3-30 VDC
Typical Sound Output	100dB min. at 30 VDC 100cm 25 °C
Rated Current	60 mA max. at 30VDC 25 °C
Operating Temp.	-20 °C to +70 °C
Storage Temperature	-20 °C to +70 °C
Termination	Termination Strength Maximum of 9.8N (1kgs) for 10 seconds load pull test
Construction Materials	Case Plastic, ABS PA-757A01 UL 94-HB
	Diaphragm Stainless Steel Disc
Weight (Typical)	136 g
Reliability	*Life Test At 24 VDC in room temperature, continuously for 1000 hours
	*High Temperature No function at +70+/-2 °C for 96 hours; Function at +70+/-2 °C for 96 hours
	*Low Temperature No function at -20+/-2 °C for 96 hours; Function at -20+/-2 °C for 96 hours
	*Humidity +40+/-2 °C, 95+/-5%RH, 48 hours
	*Thermal Shock -20+/-2 °C 0.5 hr → +25+/-2 °C 0.25 hr → +70+/-2 °C 0.5 hr → +25+/-2 °C 0.25 hr. Temperature Go up or Drop time is 0.5 hr. 3 hrs per 1 cycle. Total is 5 cycles
	*Vibration 1.5mm with 10 to 50Hz of vibration frequency to each of 3 perpendicular directions for 2 hours
	*Shock 980m/s ² (=100g) shock for each mutually perpendicular directions, half sine wave, 3 times each
	*Drop Test Dropped naturally from 750mm height onto the surface of 10mm wooden board. 2 directions – upper and side of the part are applied

Warranty

For a period of one (1) year from date of manufacture under normal operations
 * All specifications must be satisfied after the test (Recovery:2 to 4 hrs of recovery under the standard condition after the removal from test chamber).

Dimensions (Unit:mm Tolerance: +/-0.5mm)



All specifications are subject to change without notice