

Description

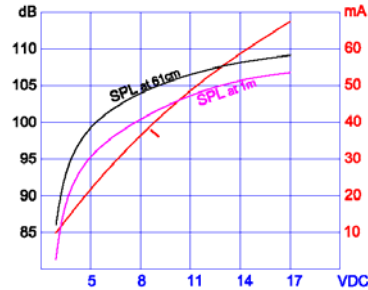
The CPA36E515CUS is a Continuous Tone, Ultra Loud, 5 to 15 Vdc Piezoelectric Alarm with 2,100 Hz sound frequency. Panel Mounted with Tab for Screw, RoHS compliant

- ◆ RoHS Compliant.
- ◆ Reliable Solid State Piezoelectric Technology.
- ◆ Corrosion Resistant Stainless Steel Diaphragm.
- ◆ EMC/EMI/EMS/RF Compliance.
- ◆ Flame Retardant Plastic.
- ◆ Extended storage temperature.
- ◆ Hermetically Sealed Alarm.

Picture



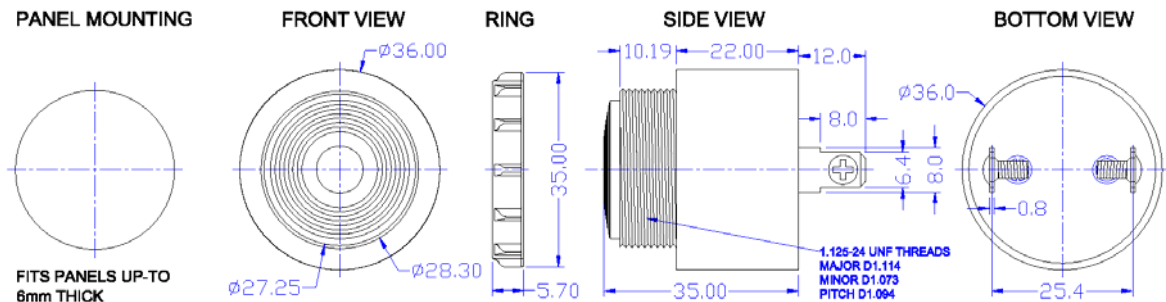
Characteristics



Specification

<p>Operating Mode Nominal Operating Voltage Operating Voltage Operating Frequency Sound Output Operating Current Operating Temperature Surge Voltage Falls Alarm Corrosion Prevention RoHS Compliance Termination Construction Materials Weight (Typical) Reliability Life Expectancy Warranty</p>	<p>Ultra Loud, Continuous Tone 12 Vdc 5 to 15 Vdc 2,100+/-300Hz 100+/-5dB(A), 24 inches (61cm); 95+/-5dB(A) at 1m, at 5 Vdc, at 25°C 108+/-5dB(A), 24 inches (61cm), 105+/-5dB(A) at 1m, at 15 Vdc, at 25°C 30 mA at 5 Vdc -30°C to +65°C 20% over maximum rated voltage for less than 5 minutes A 550 Ohms shunt is added in the Continuous Mode to prevent falls sound from alarm due to current leakage Galvanic Corrosion The diaphragm is insulated to prevent dc current flow between the diaphragm and the negative or positive inputs Does not contain: lead, mercury, cadmium, hexavalent chromium, polybrominated biphenyls (PBB) or polybrominated diphenyl ethers (PBDE). Note, Piezoelectric Ceramic Disc is made with over 60% Lead Oxide and is exempt under Article 5 (b) and Article 251 section 11of the Treaty in the light of the joint text approved by the Conciliation Committee of THE EUROPEAN PARLIAMENT AND THE COUNCIL OF THE EURO-PEAN UNION, on 8 November 2002 Description Wire leads, 18 (16X30) AWG, GXL, Automotive Wire. 4" (101.6) Long, Striped 0.236" (6.0). Color Coded: PURPLE with TAN Stripe = Positive, TAN with BLACK Stripe = Negative Termination Strength Maximum of 15 pounds (6.8 Kg) load pull test for 10 seconds Case Panel mounted, 36E Case, plastic, NORYL™, PX9406 or equal, flame retardant UL 94-V0, Black Diaphragm Stainless Steel Disc 304 Encapsulation 2 parts epoxy resin or silicone potting, Black Color Black Humidity +60 +/-2 °C,90-95%RH, 120 hours Thermal Shock 10 cycles from -35°C±2°C to +25°C, and 100 cycles from +85°C±2°C to +4°C Salt Spray Withstand exposure to salt spray per ASTM B117-97 for a period of 2,000 hours with no decrease in sound output Vibration 10g sweep from 50 to 1,000Hz. In 2 minutes Shock 500 cycles of 35g duration of 0.02 sine wave Drop Test Dropped naturally from 1.0 meter height on concrete floor. 2 directions— upper and side of the part are applied Life Test At rated voltage in room temperature, 1 cycle = 1 min. ON 4 min. OFF, continuously for 1000 hours Ten (10) years under normal operating conditions For a period of two (2) years from date of manufacture under normal operating conditions.</p>
---	---

Dimensions (Unit:mm, Tolerance: +/-0.03 inch [0.75mm])



All specifications are subject to change without notice.

Composed by: Guo J/081127 Checked by: Gong YS, Zhu YC/081127 Approved by: Wang Z/081127

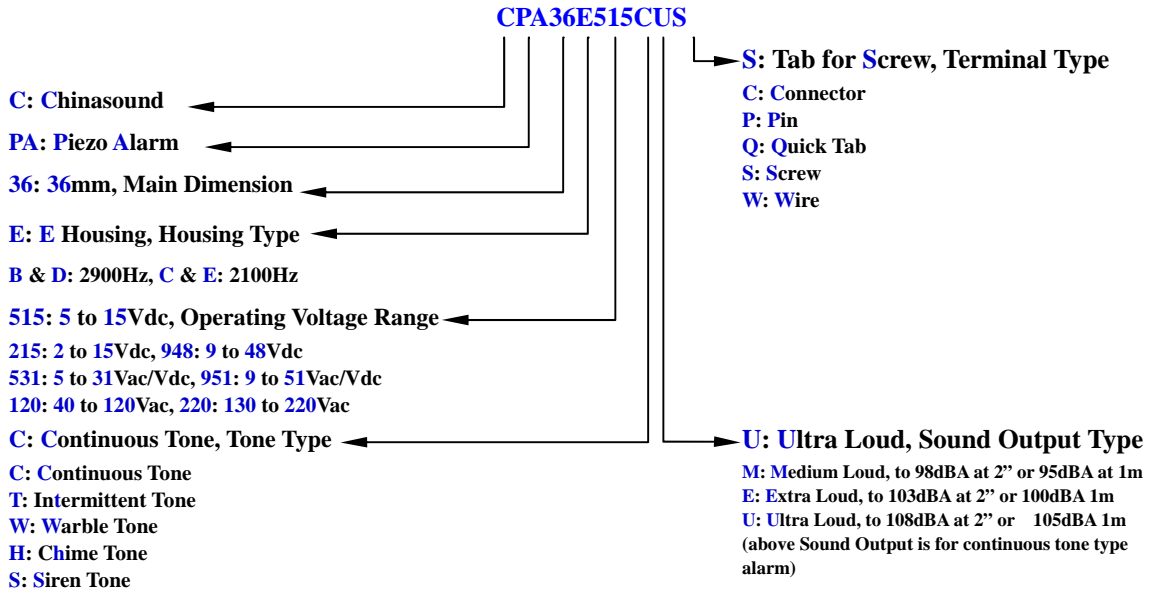


CHANGZHOU CHINASOUND ELECTRONICS CO., LTD.
 Tel: +86-519-86182518 Fax: 86182519
<http://www.chinasound.com>
 email: csound@jmail.com.cn

Revisions History

Version Number	Description	Name
081127	Original RoHS compliant version	Guo Jun

Other versions are available



Composed by: Guo J/081127 Checked by: Gong YS, Zhu YC/081127 Approved by: Wang Z/081127