

Description

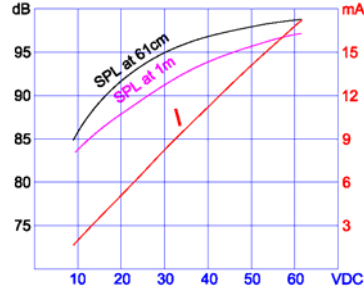
The CPA36D948TM1QR is a Intermittent Tone, Media Loud, 9 to 48 Vdc Piezoelectric Alarm with 2,900 Hz sound frequency, Slow Intermittent Rate at 1 cycle per second Panel Mounted with a plastic ring nut. Quick Tab, RoHS compliant

- ◆ RoHS Compliant.
- ◆ Reliable Solid State Piezoelectric Technology.
- ◆ Corrosion Resistant Stainless Steel Diaphragm.
- ◆ EMC/EMI/EMS/RF Compliance.
- ◆ Flame Retardant Plastic.
- ◆ Extended storage temperature.
- ◆ Hermetically Sealed Alarm.

Picture



Characteristics



Specification

- Operating Mode
- Nominal Operating Voltage
- Operating Voltage
- Operating Frequency
- Sound Output
- Operating Current
- Operating Temperature
- Surge Voltage
- Falls Alarm
- Corrosion Prevention

Media Loud, Intermittent Tones, Slow Rate at 1 cycle per second
 24 Vdc
 9 to 48 Vdc
 2,900+/-300Hz
At Minimum Voltage 85+/-5dB(A), at 9 Vdc, at 24 inches (61cm), at 25°C
At Maximum Voltage 98+/-5dB(A), at 48 Vdc, at 24 inches (61cm), at 25°C
At Minimum Voltage 5 mA at 9 Vdc
At Maximum Voltage 20 mA at 48 Vdc
Storage Temperature -40°C to +100°C
 20% over maximum rated voltage for less than 5 minutes
 A 550 Ohms shunt is added in the Continuous Mode to prevent falls sound from alarm due to current leakage

RoHS Compliance

Galvanic Corrosion The diaphragm is insulated to prevent dc current flow between the diaphragm and the negative or positive inputs
 Does not contain: lead, mercury, cadmium, hexavalent chromium, polybrominated biphenyls (PBB) or polybrominated diphenyl ethers (PBDE). Note, Piezoelectric Ceramic Disc is made with over 60% Lead Oxide and is exempt under Article 5 (b) and Article 251 section 11of the Treaty in the light of the joint text approved by the Conciliation Committee of THE EUROPEAN PARLIAMENT AND THE COUNCIL OF THE EURO-PEAN UNION, on 8 November 2002

Termination

Description Wire leads, 18 (16X30) AWG, GXL, Automotive Wire. 4" (102) Long, Striped 0.236" (6.0). Color Coded: PURPLE with TAN Stripe = Positive, TAN with BLACK Stripe = Negative

Construction Materials

Termination Strength Maximum of 15 pounds (6.8 Kg) load pull test for 10 seconds
Case Panel mounted, 36E Case, plastic, NORYL™, PX9406 or equal, flame retardant UL 94-V0, Black
Diaphragm Satinless Steel Disc 304
Encapsulation 2 parts epoxy resin or silicone potting, Black
Color Black

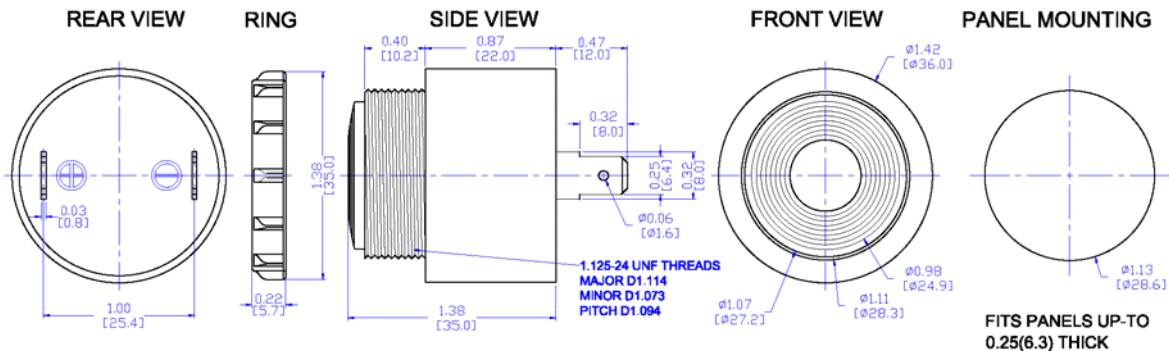
Weight (Typical) Reliability

Humidity +60 +/-2 °C,90-95%RH, 120 hours
Thermal Shock 10 cycles from -35°C±2°C to +25°C, and 100 cycles from +85°C±2°C to +4°C
Salt Spray Withstand exposure to salt spray per ASTM B117-97 for a period of 2,000 hours with no decrease in sound output
Vibration 10g sweep from 50 to 1,000Hz. In 2 minutes
Shock 500 cycles of 35g duration of 0.02 sine wave
Drop Test Dropped naturally from 1.0 meter height on concrete floor. 2 directions— upper and side of the part are applied

Life Expectancy Warranty

Life Test At rated voltage in room temperature, 1 cycle = 1 min. ON 4 min. OFF, continuously for 1000 hours
 Ten (10) years under normal operating conditions
 For a period of two (2) years from date of manufacture under normal operating conditions.

Dimensions (Unit:mm, Tolerance: +/-0.03 inch [0.75mm])



All specifications are subject to change without notice.

Composed by: Jack Guo/090731 Checked by: Xiao W, Gong YS, Zhu YC/090731 Approved by: Wang Zhen/090731



CHANGZHOU CHINASOUND ELECTRONICS CO., LTD.
 Tel: +86-519-86182518 Fax: 86182519
<http://www.chinasound.com>
 email: csound@jsmail.com.cn

Revisions History

Version Number	Description	Name
090731	Original RoHS compliant version	Jack Guo

Composed by: Jack Guo/090731 Checked by: Xiao W, Gong YS, Zhu YC/090731 Approved by: Wang Zhen/090731

ChinaSound

CHANGZHOU CHINASOUND ELECTRONICS CO., LTD.

Tel: +86-519-86182518 Fax: 86182519

<http://www.chinasound.com>
email: csound@jmail.com.cn