

**Description**

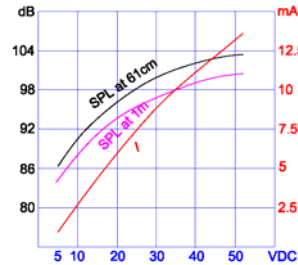
The CPA36D948CMQR is a Continuous Tone, Media Loud, 9 to 48 Vdc Piezoelectric Alarm with 2,900 Hz sound frequency. Panel Mounted with a plastic ring nut. Quick Tab, RoHS compliant

- ◆ RoHS Compliant.
- ◆ Reliable Solid State Piezoelectric Technology.
- ◆ Corrosion Resistant Stainless Steel Diaphragm.
- ◆ EMC/EMI/EMS/RF Compliance.
- ◆ Flame Retardant Plastic.
- ◆ Extended storage temperature.
- ◆ Hermetically Sealed Alarm.

**Picture**



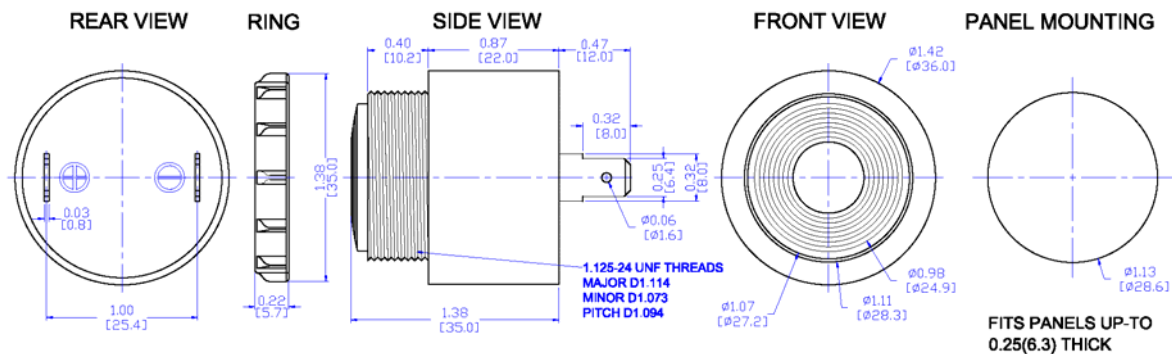
**Characteristics**



**Specification**

<b>Operating Mode</b>	Media Loud, Continuous Tones.
<b>Nominal Operating Voltage</b>	24 Vdc
<b>Operating Voltage</b>	9 to 48 Vdc
<b>Operating Frequency</b>	2,900+/-300Hz
<b>Sound Output</b>	<b>At Minimum Voltage</b> 85+/-5dB(A), at 9 Vdc, at 24 inches (61cm), at 25°C <b>At Maximum Voltage</b> 98+/-5dB(A), at 48 Vdc, at 24 inches (61cm), at 25°C
<b>Operating Current</b>	<b>At Minimum Voltage</b> 5 mA at 9 Vdc <b>At Maximum Voltage</b> 20 mA at 48 Vdc
<b>Operating Temperature</b>	-30°C to +65°C
<b>Surge Voltage</b>	20% over maximum rated voltage for less than 5 minutes
<b>Falls Alarm</b>	A 550 Ohms shunt is added in the Continuous Mode to prevent falls sound from alarm due to current leakage
<b>Corrosion Prevention</b>	<b>Galvanic Corrosion</b> The diaphragm is insulated to prevent dc current flow between the diaphragm and the negative or positive inputs Does not contain: lead, mercury, cadmium, hexavalent chromium, polybrominated biphenyls (PBB) or polybrominated diphenyl ethers (PBDE). Note, Piezoelectric Ceramic Disc is made with over 60% Lead Oxide and is exempt under Article 5 (b) and Article 251 section 11 of the Treaty in the light of the joint text approved by the Conciliation Committee of THE EUROPEAN PARLIAMENT AND THE COUNCIL OF THE EURO-PEAN UNION, on 8 November 2002
<b>RoHS Compliance</b>	
<b>Termination</b>	<b>Description</b> 2 0.25 (6.4 mm) Quick Connect Blades, 0.032Ø (0.8Ømm) wide, Brass, Electro-Tin plated. <b>Termination Strength</b> Maximum of 15 pounds (6.8 Kg) load pull test for 10 seconds
<b>Construction Materials</b>	<b>Case</b> Panel mounted, 36E Case, plastic, NORYL™, PX9406 or equal, flame retardant UL 94-V0, Black <b>Diaphragm</b> Satinless Steel Disc 304 <b>Encapsulation</b> 2 parts epoxy resin or silicone potting, Black <b>Color</b> Black
<b>Weight (Typical)</b>	40g
<b>Reliability</b>	<b>Humidity</b> +60 +/-2 °C, 90-95%RH, 120 hours <b>Thermal Shock</b> 10 cycles from -35°C±2°C to +25°C, and 100 cycles from +85°C±2°C to +4°C <b>Salt Spray</b> Withstand exposure to salt spray per ASTM B117-97 for a period of 2,000 hours with no decrease in sound output <b>Vibration</b> 10g sweep from 50 to 1,000Hz. In 2 minutes <b>Shock</b> 500 cycles of 35g duration of 0.02 sine wave <b>Drop Test</b> Dropped naturally from 1.0 meter height on concrete floor. 2 directions— upper and side of the part are applied <b>Life Test</b> At rated voltage in room temperature, 1 cycle = 1 min. ON 4 min. OFF, continuously for 1000 hours
<b>Life Expectancy</b>	Ten (10) years under normal operating conditions
<b>Warranty</b>	For a period of two (2) years from date of manufacture under normal operating conditions.

**Dimensions** (Unit:mm, Tolerance: +/-0.03 inch [0.75mm] )



All specifications are subject to change without notice.

Composed by: Jack Guo/090731 Checked by: Xiao W, Gong YS, Zhu YC/090731 Approved by: Wang Zhen/090731



CHANGZHOU CHINASOUND ELECTRONICS CO., LTD.

Tel: +86-519-86182518 Fax: 86182519

http://www.chinasound.com

email: csound@jmail.com.cn

**Revisions History**

Version Number	Description	Name
090731	Original RoHS compliant version	Jack Guo