

**Description**

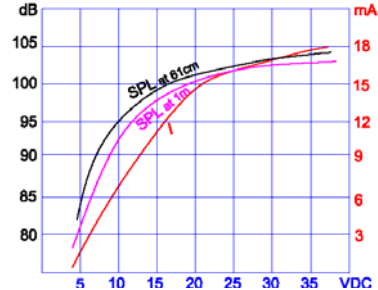
The CPA36B530CMW101.6 is a Medium Loud, Continuous Tone, 5 to 30 Vdc Piezoelectric Alarm with 2,900 Hz sound frequency. Panel Mounted with a plastic ring nut. 101.6mm Wire terminals, RoHS compliant

- ◆ RoHS Compliant.
- ◆ Reliable Solid State Piezoelectric Technology.
- ◆ Corrosion Resistant Stainless Steel Diaphragm.
- ◆ EMC/EMI/EMS/RF Compliance.
- ◆ Flame Retardant Plastic.
- ◆ Extended storage temperature.
- ◆ Hermetically Sealed Alarm.

**Picture**



**Characteristics**



**Specification**

- Operating Mode
- Nominal Operating Voltage
- Operating Voltage
- Operating Frequency
- Sound Output
- Operating Current
- Operating Temperature
- Surge Voltage
- Falls Alarm
- Corrosion Prevention

Medium Loud, Continuous Tone  
 24 Vdc  
 6 to 28 Vdc  
 2,900+/-300Hz  
**At Minimum Voltage** 85+/-5dB(A), 24 inches (61cm); 82+/-5dB(A) at 1m, at 5 Vdc, at 25°C  
**At Maximum Voltage** 103+/-5dB(A), 24 inches (61cm), 100+/-5dB(A) at 1m, at 30 Vdc, at 25°C  
**At Minimum Voltage** 5 mA at 5 Vdc  
**At Maximum Voltage** 20 mA at 30 Vdc  
 -30°C to +65°C  
**Storage Temperature** -40°C to +100°C  
 20% over maximum rated voltage for less than 5 minutes

**RoHS Compliance**

**Galvanic Corrosion**

The diaphragm is insulated to prevent dc current flow between the diaphragm and the negative or positive inputs  
 Does not contain: lead, mercury, cadmium, hexavalent chromium, polybrominated biphenyls (PBB) or polybrominated diphenyl ethers (PBDE). Note, Piezoelectric Ceramic Disc is made with over 60% Lead Oxide and is exempt under Article 5 (b) and Article 251 section 110 of the Treaty in the light of the joint text approved by the Conciliation Committee of THE EUROPEAN PARLIAMENT AND THE COUNCIL OF THE EURO-PEAN UNION, on 8 November 2002

**Termination**

**Description**

Wire leads, 18 (16X30) AWG, GXL, Automotive Wire. 4" (101.6) Long, Striped 0.236" (6.0). Color Coded: PURPLE with TAN Stripe = Positive, TAN with BLACK Stripe = Negative

**Construction Materials**

**Termination Strength**

Maximum of 15 pounds (6.8 Kg) load pull test for 10 seconds

**Case**

Panel mounted, 36E Case, plastic, NORYL™, PX9406 or equal, flame retardant UL 94-V0, Black Satinless Steel Disc 304

**Diaphragm**

**Encapsulation**

2 parts epoxy resin or silicone potting, Black

**Weight (Typical)**

40g

**Reliability**

**Humidity**

+60 +/-2 °C, 90-95%RH, 120 hours

**Thermal Shock**

10 cycles from -35°C±2°C to +25°C, and 100 cycles from +85°C±2°C to +4°C

**Salt Spray**

Withstand exposure to salt spray per ASTM B117-97 for a period of 2,000 hours with no decrease in sound output

**Vibration**

10g sweep from 50 to 1,000Hz. In 2 minutes

**Shock**

500 cycles of 35g duration of 0.02 sine wave

**Drop Test**

Dropped naturally from 1.0 meter height on concrete floor. 2 directions— upper and side of the part are applied

**Life Expectancy**

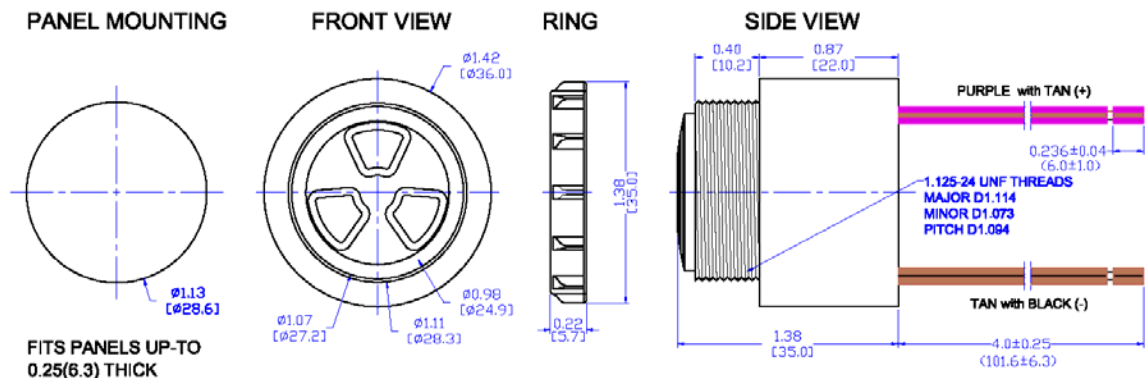
**Life Test**

At rated voltage in room temperature, 1 cycle = 1 min. ON 4 min. OFF, continuously for 1000 hours

**Warranty**

Ten (10) years under normal operating conditions  
 For a period of two (2) years from date of manufacture under normal operating conditions.

**Dimensions** (Unit:mm, Tolerance: +/-0.03 inch [0.75mm] )



All specifications are subject to change without notice.

Composed by: Guo J/060417 Checked by: Lu CS, Gong YS, Zhu YC/060417 Approved by: Wang Z/060417



**CHANGZHOU CHINASOUND ELECTRONICS CO., LTD.**  
 Tel: +86-519-86182518 Fax: 86182519  
<http://www.chinasound.com>  
 email: csound@jmail.com.cn

Revisions History

Version Number	Description	Name
060417	Original RoHS compliant version	Guo Jun

Other versions are available

**CPA36B530CMW101.6**

