

**Description**

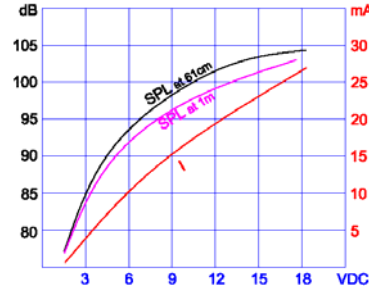
The CPA36B215CEW is a Continuous Tone, Extra Loud, 2 to 15 Vdc Piezoelectric Alarm with 2,900 Hz sound frequency. Panel Mounted with a plastic ring nut. Wire terminals, RoHS compliant

- ◆ RoHS Compliant.
- ◆ Reliable Solid State Piezoelectric Technology.
- ◆ Corrosion Resistant Stainless Steel Diaphragm.
- ◆ EMC/EMI/EMS/RF Compliance.
- ◆ Flame Retardant Plastic.
- ◆ Extended storage temperature.
- ◆ Hermetically Sealed Alarm.

**Picture**



**Characteristics**



**Specification**

- Operating Mode
- Nominal Operating Voltage
- Operating Voltage
- Operating Frequency
- Sound Output
- Operating Current
- Operating Temperature
- Surge Voltage
- Falls Alarm
- Corrosion Prevention

Extra Loud, Continuous Tones.  
 12 Vdc  
 2 to 15 Vdc  
 2,900+/-300Hz  
**At Minimum Voltage** 75+/-5dB(A), at 2 Vdc, at 24 inches (61cm), at 25°C  
**At Maximum Voltage** 103+/-5dB(A), at 15 Vdc, at 24 inches (61cm), at 25°C  
**At Minimum Voltage** 5 mA at 2 Vdc  
**At Maximum Voltage** 25 mA at 15 Vdc  
**Storage Temperature** -40°C to +100°C  
 20% over maximum rated voltage for less than 5 minutes  
 A 550 Ohms shunt is added in the Continuous Mode to prevent falls sound from alarm due to current leakage

**RoHS Compliance**

**Galvanic Corrosion** The diaphragm is insulated to prevent dc current flow between the diaphragm and the negative or positive inputs  
 Does not contain: lead, mercury, cadmium, hexavalent chromium, polybrominated biphenyls (PBB) or polybrominated diphenyl ethers (PBDE). Note, Piezoelectric Ceramic Disc is made with over 60% Lead Oxide and is exempt under Article 5 (b) and Article 251 section 11 of the Treaty in the light of the joint text approved by the Conciliation Committee of THE EUROPEAN PARLIAMENT AND THE COUNCIL OF THE EURO-PEAN UNION, on 8 November 2002

**Termination**

**Description** Wire leads, 18 (16X30) AWG, GXL, Automotive Wire. 3.15" (80mm) Long, Striped 0.236" (6.0). Color Coded: PURPLE with TAN Stripe = Positive, TAN with BLACK Stripe = Negative

**Construction Materials**

**Case** Panel mounted, 36E Case, plastic, NORYL™, PX9406 or equal, flame retardant UL 94-V0, Black  
**Diaphragm** Satinless Steel Disc 304  
**Encapsulation** 2 parts epoxy resin or silicone potting, Black  
**Color** Black

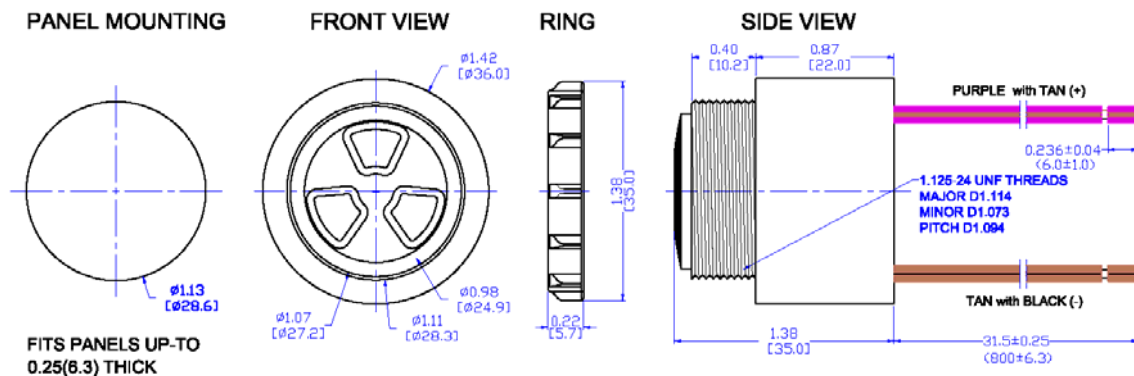
**Weight (Typical) Reliability**

**Humidity** +60 +/-2 °C,90-95%RH, 120 hours  
**Thermal Shock** 10 cycles from -35°C±2°C to +25°C, and 100 cycles from +85°C±2°C to +4°C  
**Salt Spray** Withstand exposure to salt spray per ASTM B117-97 for a period of 2,000 hours with no decrease in sound output  
**Vibration** 10g sweep from 50 to 1,000Hz. In 2 minutes  
**Shock** 500 cycles of 35g duration of 0.02 sine wave  
**Drop Test** Dropped naturally from 1.0 meter height on concrete floor. 2 directions— upper and side of the part are applied

**Life Expectancy Warranty**

**Life Test** At rated voltage in room temperature, 1 cycle = 1 min. ON 4 min. OFF, continuously for 1000 hours  
 Ten (10) years under normal operating conditions  
 For a period of two (2) years from date of manufacture under normal operating conditions.

**Dimensions** (Unit:mm, Tolerance: +/-0.03 inch [0.75mm] )



All specifications are subject to change without notice.

Composed by: Guo J/100323 Checked by: Xiao W, Gong YS, Zhu YC/100323 Approved by: Wang Z/100323



**CHANGZHOU CHINASOUND ELECTRONICS CO., LTD.**  
 Tel: +86-519-86182518 Fax: 86182519  
<http://www.chinasound.com>  
 email: csound@jsmail.com.cn

## Revisions History

Version Number	Description	Name
100323	Original RoHS compliant version	Guo Jun

Composed by: Guo J/100323    Checked by: Xiao W, Gong YS, Zhu YC/100323    Approved by: Wang Z/100323

**ChinaSound**

**CHANGZHOU CHINASOUND ELECTRONICS CO., LTD.**

Tel: +86-519-86182518    Fax: 86182519

<http://www.chinasound.com>  
email: csound@jmail.com.cn