

Description

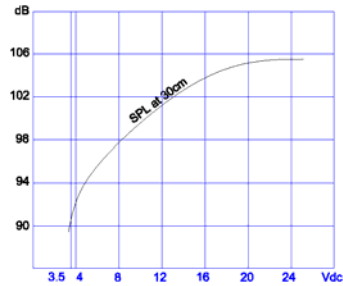
The CPA30L325TM1W150 is a Intermittent Tone, Media Loud, 3.5 to 25 Vdc Piezoelectric Alarm with 3,500 Hz sound frequency, Slow Intermittent Rate at 1 cycle per second Panel Mounted with a plastic ring nut. Wire Leading, RoHS compliant

- ◆ RoHS Compliant.
- ◆ Reliable Solid State Piezoelectric Technology.
- ◆ EMC/EMI/EMS/RF Compliance.
- ◆ Flame Retardant Plastic.

Picture



Characteristics



Specification

- Operating Mode
- Nominal Operating Voltage
- Operating Voltage
- Operating Frequency
- Sound Output
- Operating Current
- Operating Temperature

Media Loud, Intermittent Tones, Slow Rate at 1 cycle per second
 12 Vdc
 3.5 to 25 Vdc
 3,500+/-500Hz
 95dB(A) min. at 12 Vdc, at 30cm, at 25°C
 40 mA max. at 12 Vdc, at 25°C

Storage Temperature -30°C to +80°C

RoHS Compliance

Does not contain: lead, mercury, cadmium, hexavalent chromium, polybrominated biphenyls (PBB) or polybrominated diphenyl ethers (PBDE). Note, Piezoelectric Ceramic Disc is made with over 60% Lead Oxide and is exempt under Article 5 (b) and Article 251 section 11 of the Treaty in the light of the joint text approved by the Conciliation Committee of THE EUROPEAN PARLIAMENT AND THE COUNCIL OF THE EURO-PEAN UNION, on 8 November 2002

Termination

Description Wire, UL1571 AWG28#, Red(+), Black(-)

Construction Materials

Termination Strength Maximum of 15 pounds (6.8 Kg) load pull test for 10 seconds

Weight (Typical)

Case Panel mounted, 30L Case, Black

Reliability

Diaphragm Brass

Color Black

Humidity

+60 +/-2 °C, 90-95%RH, 120 hours

Thermal Shock

10 cycles from -20°C±2°C to +25°C, and 100 cycles from +70°C±2°C to +4°C

Vibration

10g sweep from 50 to 1,000Hz. In 2 minutes

Shock

500 cycles of 35g duration of 0.02 sine wave

Drop Test

Dropped naturally from 1.0 meter height on concrete floor. 2 directions— upper and side of the part are applied

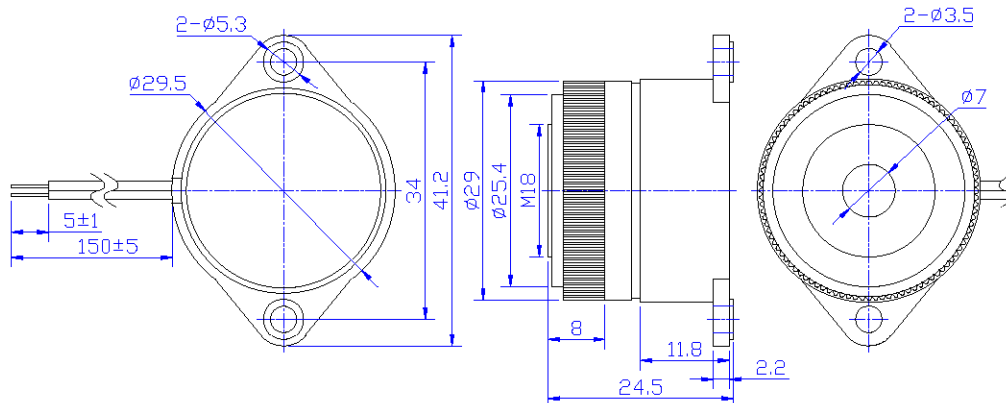
Life Test

At rated voltage in room temperature, 1 cycle = 1 min. ON 4 min. OFF, continuously for 1000 hours

Warranty

For a period of one (1) year from date of manufacture under normal operating conditions.

Dimensions (Unit:mm, Tolerance: +/-0.03 inch [0.75mm])



All specifications are subject to change without notice.

Composed by: Jack Guo/100906 Checked by: Gong YS, Zhu YC/100906 Approved by: Wang Zhen/100906



CHANGZHOU CHINASOUND ELECTRONICS CO., LTD.

Tel: +86-519-86182518 Fax: 86182519

<http://www.chinasound.com>

email: csound@jmail.com.cn

Revisions History

Version Number	Description	Name
100906	Original RoHS compliant version	Jack Guo

Composed by: Jack Guo/100906 Checked by: Gong YS, Zhu YC/100906 Approved by: Wang Zhen/100906

ChinaSound

CHANGZHOU CHINASOUND ELECTRONICS CO., LTD.

Tel: +86-519-86182518 Fax: 86182519

<http://www.chinasound.com>
email: csound@jmail.com.cn