

**Description**

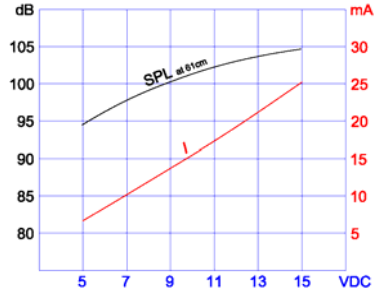
The CPA26G515CEP is a Continuous Tone, Extra Loud, 5 to 15 Vdc Piezoelectric Alarm with 2,900 Hz sound frequency. Mounted on a PCB with two pins for easy assembly, RoHS compliant

- ◆ RoHS Compliant.
- ◆ Reliable Solid State Piezoelectric Technology.
- ◆ Corrosion Resistant Stainless Steel Diaphragm.
- ◆ EMC/EMI/EMS/RF Compliance.
- ◆ Flame Retardant Plastic.
- ◆ Extended storage temperature.
- ◆ Hermetically Sealed Alarm.

**Picture**



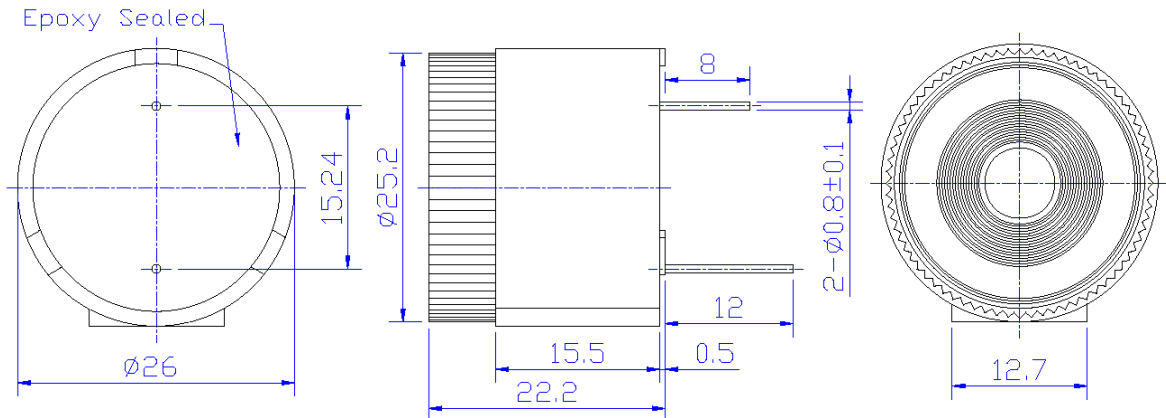
**Characteristics**



**Specification**

<b>Operating Mode</b>	Extra Loud, Continuous Tones.
<b>Nominal Operating Voltage</b>	12 Vdc
<b>Operating Voltage</b>	5 to 15 Vdc
<b>Operating Frequency</b>	2,900+/-300Hz
<b>Sound Output</b>	<b>At Minimum Voltage</b> 95+/-5dB(A), at 5 Vdc, at 24 inches (61cm), at 25°C <b>At Maximum Voltage</b> 105+/-5dB(A), at 15 Vdc, at 24 inches (61cm), at 25°C
<b>Operating Current</b>	<b>At Minimum Voltage</b> 10 mA at 5 Vdc <b>At Maximum Voltage</b> 30 mA at 15 Vdc
<b>Operating Temperature</b>	-30°C to +65°C
<b>Surge Voltage</b>	20% over maximum rated voltage for less than 5 minutes
<b>Reverse Voltage Protection</b>	To the maximum rated voltage
<b>RoHS Compliant</b>	Does not contain: lead, mercury, cadmium, hexavalent chromium, polybrominated biphenyls (PBB) or polybrominated diphenyl ethers (PBDE). Note, Piezoelectric Ceramic Disc is made with over 60% Lead Oxide and is exempt under Article 5 (b) and Article 251 section 11of the Treaty in the light of the joint text approved by the Conciliation Committee of THE EUROPEAN PARLIAMENT AND THE COUNCIL OF THE EURO-PEAN UNION, on 8 November 2002
<b>Termination</b>	<b>Description</b> 2 PC pins, 0.032Ø (0.8Ø mm) brass, electro-tin plated. <b>Termination Strength</b> Maximum of 22 pounds (10 Kg) load pull test for 10 seconds
<b>Construction Materials</b>	<b>Case</b> 26G Case, plastic, NORYL™, PX9406 or equal, flame retardant UL 94-V0, Grey <b>Diaphragm</b> Satinless Steel Disc 304 <b>Encapsulation</b> 2 parts epoxy resin or silicone potting, Black <b>Color</b> Grey
<b>Weight (Typical)</b>	15g
<b>Reliability</b>	<b>Humidity</b> +40 +/-2°C, 90-95%RH, 120 hours <b>Thermal Shock</b> -30+/-2°C, 1 hr → +20°C 5 min. → +65+/-2°C, 1 hr. → +20°C 5 min. 5 cycles. <b>Salt Spray</b> Withstand exposure to salt spray per ASTM B117-97 for a period of 2,000 hours with no decrease in sound output <b>Vibration</b> 10g sweep from 50 to 1,000Hz. In 2 minutes <b>Shock</b> 500 cycles of 35g duration of 0.02 sine wave <b>Drop Test</b> Dropped naturally from 1.0 meter height on concrete floor. 2 directions— upper and side of the part are applied
<b>Life Expectancy</b>	<b>Life Test</b> At rated voltage in room temperature, 1 cycle = 1 min. ON 4 min. OFF, continuously for 1000 hours
<b>Warranty</b>	Ten (10) years under normal operating conditions For a period of two (2) years from date of manufacture under normal operating conditions.

**Dimensions** (Unit:mm, Tolerance: +/-0.03 inch [0.75mm] unless otherwise specified)



All specifications are subject to change without notice.

Composed by: J Guo/090825 Checked by: Gong YS, Zhu YC/090825 Approved by: Wang Z/090825



**CHANGZHOU CHINASOUND ELECTRONICS CO., LTD.**  
Tel: +86-519-86182518 Fax: 86182519  
<http://www.chinasound.com>  
email: csound@jsmail.com.cn

## Revisions History

Version Number	Description	Name
090825	Original RoHS compliant version	Jack Guo

Composed by: J Guo/090825    Checked by: Gong YS, Zhu YC/090825    Approved by: Wang Z/090825

**ChinaSound**

**CHANGZHOU CHINASOUND ELECTRONICS CO., LTD.**

Tel: +86-519-86182518    Fax: 86182519

<http://www.chinasound.com>  
email: csound@jmail.com.cn