

Description

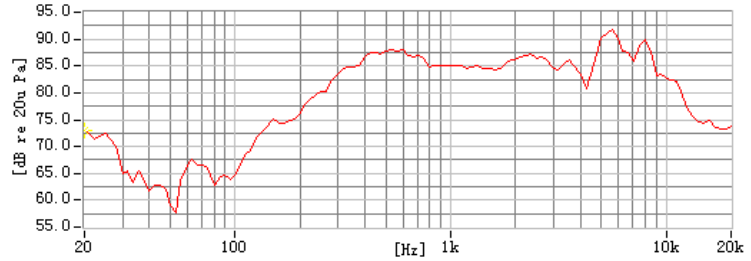
Chinasound Micro Speaker 50mm diameter, Round ABS frame, 7.9mm height – 8 ohm rated impedance, NdFeB magnet, 0.5W rated power – type 1 Black cone, 350 Hz rated frequency, RoHS compliant

- ◆ RoHS complaint
- ◆ Water-proof
- ◆ Flame Retardant Plastic 94-HB

Picture



Frequency Response Curve Tested by Sound Check

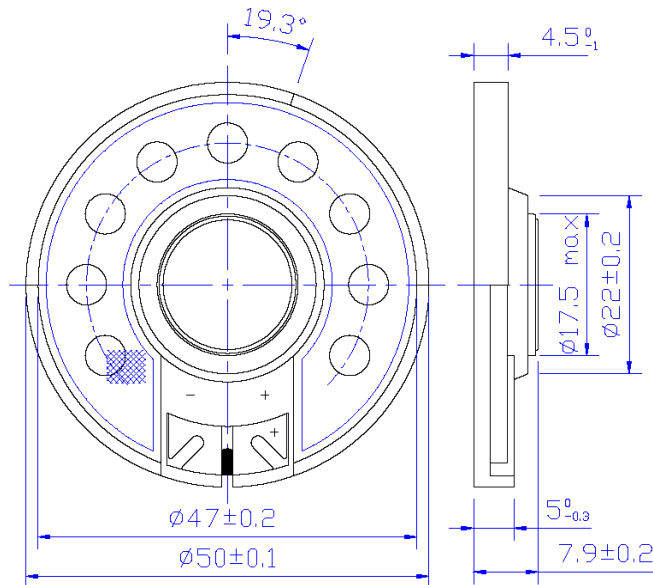


Specification

Rated Impedance	8+/-15% ohm (Other Rated Impedance is available.)
Rated Power	0.5 W
Max. Power	1 W
Resonant Frequency	350+/-60 Hz
Frequency Range	fo ~ 4500 Hz
Sound Pressure Level	85+/-3 dB 1W1m(Average of SPL values at 800, 1000, 1200 & 1500 Hz.)
Operating Temperature	-30°C to +70°C
Storage Temperature	-40°C to +70°C
Termination	PCB
Construction Materials	Case Plastic, ABS 757 Diaphragm Black Mylar
Weight (Typical)	15 g
Reliability	Must be normal at 2V(=0.5W) sine wave 1W white noise for 96hrs no function at +70 +/-2°C for 96 hours, function at +70+/-2°C for 16 hours, no function at -40+/-2°C for 96 hours, function at -30+/-2°C for 16 hours, +40+/-2°C, 90 ~ 95% R.H. for 48hrs -30+/-2°C, 30min-->+20°C,15min,-->+70+/-2°C, 30min-->+20°C,15min, 5 cycles 1.5mm with 10 to 50Hz of vibration frequency to each of 3 perpendicular direction for 2 hrs Pins are immersed up to 1.5mm from sounder's body in solder bath of 350+/-5°C for 3+/-0.5 seconds or 260+/-5°C for 10+/-1 seconds Lead terminals are immersed in rosin for 5 seconds and then immersed in solder bath of 350+/-5°C for 3+/-0.5 seconds.
Warranty	For a period of one (1) year from date of manufacture under normal operations

* All specifications must be satisfied after the test (Recovery:2 to 4 hrs of recovery under the standard condition after the removal from test chamber).
**90% min. soldering pads shall be with solder.(except the edge of pad)

Dimensions (Unit: mm)



All specifications are subject to change without notice

Composed by: Guo J/100323 Checked by: Gong YS, Zhu YC/100323 Approved by: Wang Z/100323



CHANGZHOU CHINASOUND ELECTRONICS CO., LTD.

Tel: +86-519-86182518 Fax: +86-519-86182519

<http://www.chinasound.com>

email: csound@jmail.com.cn

Revisions History

Version Number	Description	Name
100323	Original, CMS50RA7.9-8N0.5-1B350R	Guo Jun

Composed by: Guo J/100323 Checked by: Gong YS, Zhu YC/100323 Approved by: Wang Z/100323



CHANGZHOU CHINASOUND ELECTRONICS CO., LTD.

Tel: +86-519-86182518 Fax: +86-519-86182519

<http://www.chinasound.com>
email: csound@jmail.com.cn